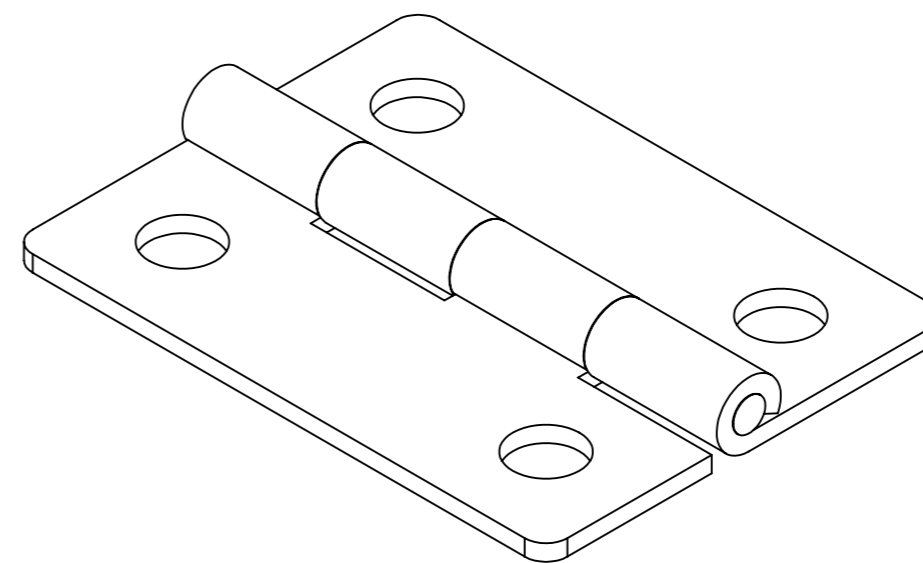
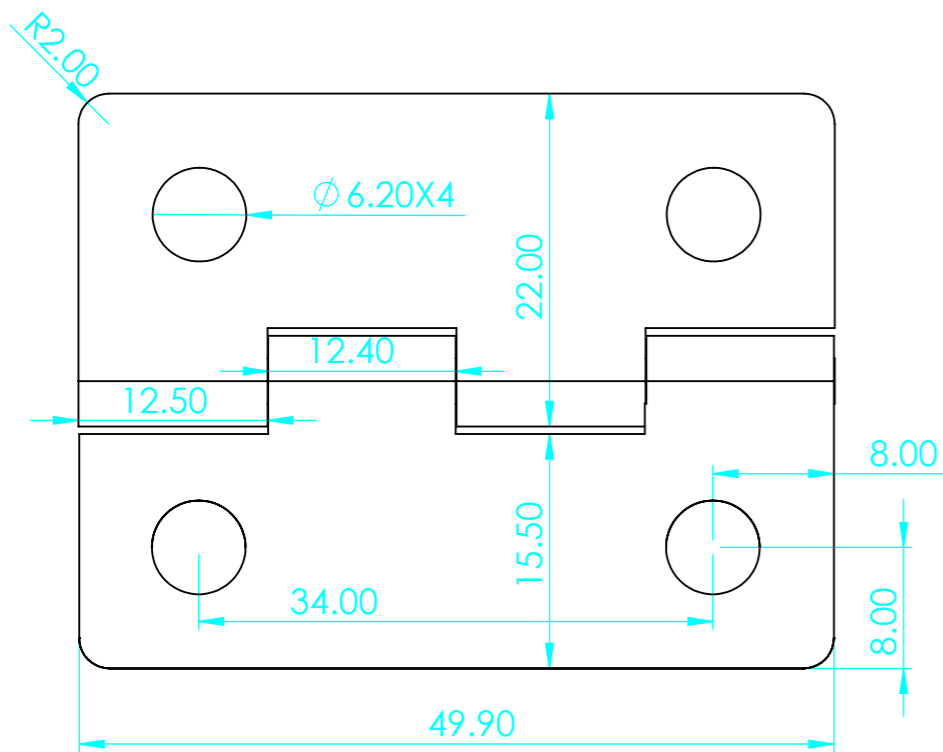
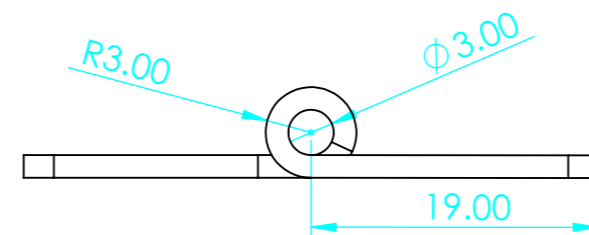
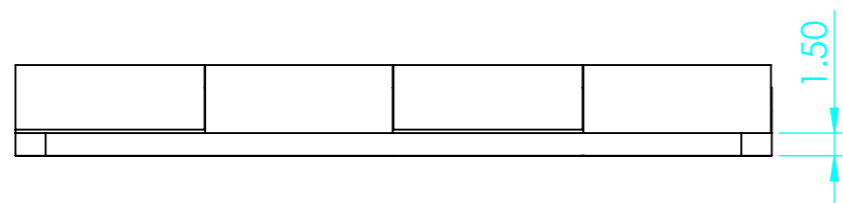


NOTES:  
Your Notes Here



|                            |                   |
|----------------------------|-------------------|
| CUSTOMER:<br>CUSTOMER NAME |                   |
| DUE DATE:<br>//2022        |                   |
| QUANTITY:                  |                   |
| PANEL FINISH:              |                   |
| HARDWARE:                  |                   |
| DRAWING:<br>BH-5038        |                   |
| DRAWN BY:<br>AG            | CHECKED BY:<br>AS |
| SCALE:<br>1:1              | REVISION:<br>0    |



ADD : 45/7-9 Percy St, Auburn,  
NSW 2144, Australia  
PH : 02 9188 6801  
MAIL : sales@armorcases.com.au  
WEB : www.armorcases.com.au