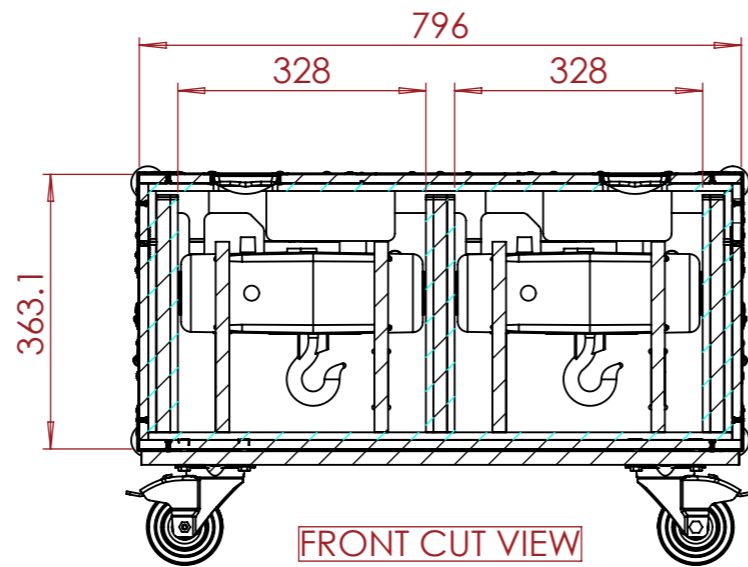
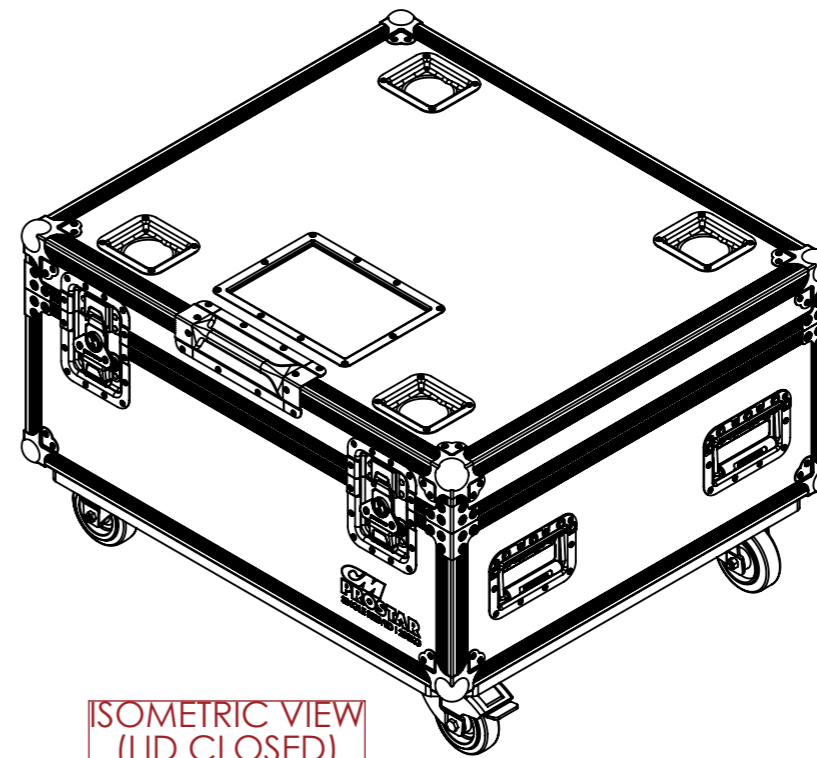


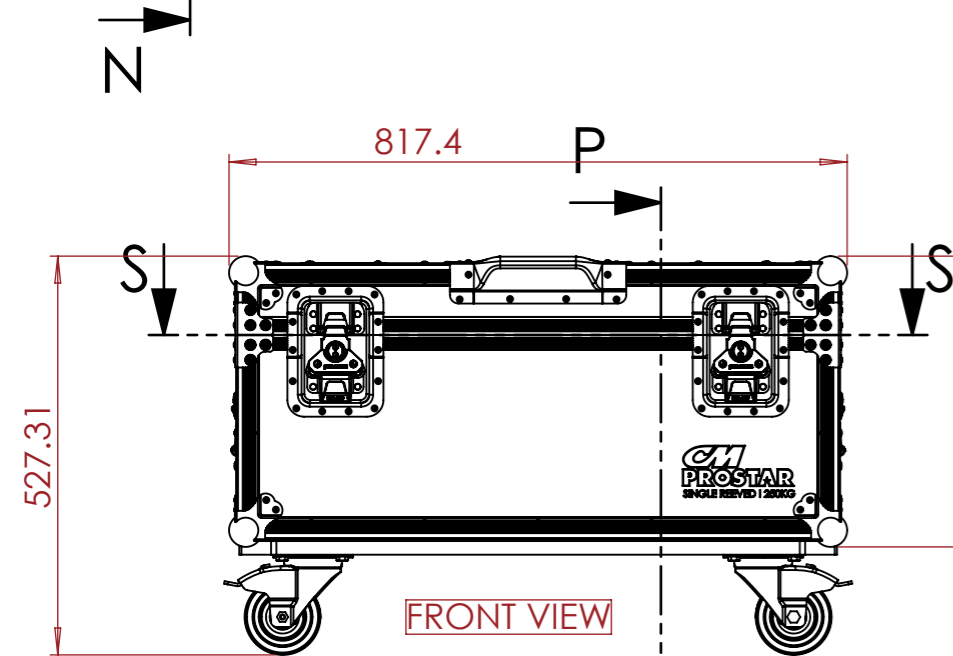
SIDE VIEW



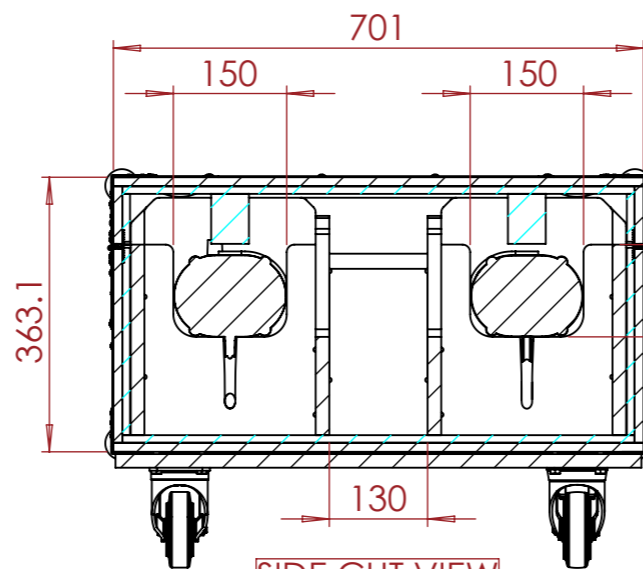
FRONT CUT VIEW



ISOMETRIC VIEW (LID CLOSED)



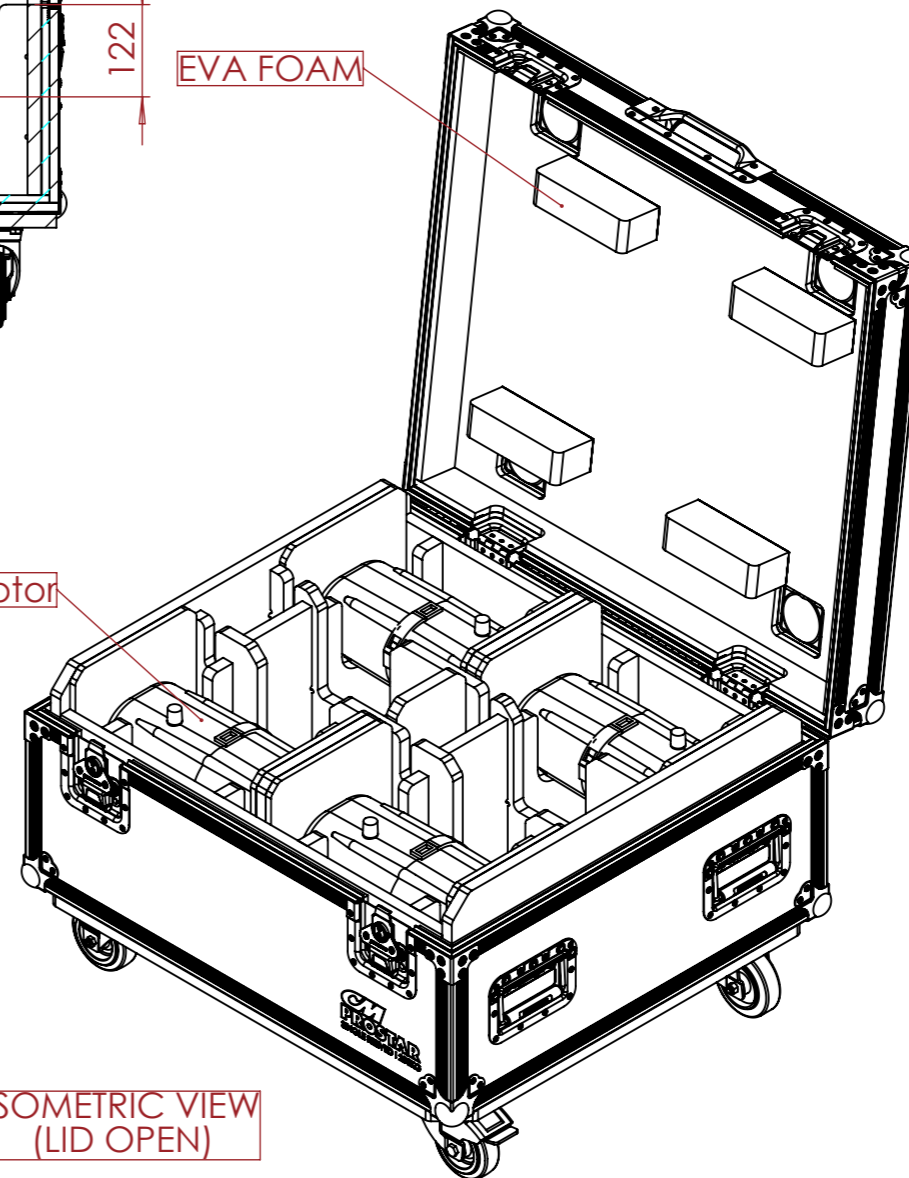
FRONT VIEW



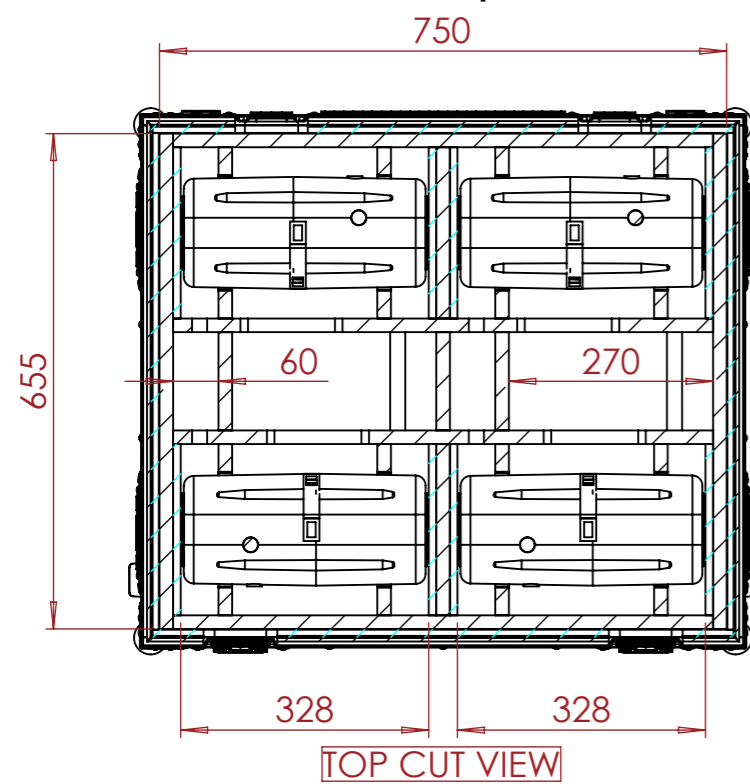
SIDE CUT VIEW

EVA FOAM

PS250kg Motor
4X



ISOMETRIC VIEW (LID OPEN)



TOP CUT VIEW

NOTES:

CUSTOMER:

ELI MALKA

QUANTITY:

4

DRAWING:

CM-PS250 Case - 2D

DRAWN BY:

DS

CHECKED BY:

AS

SCALE:

1:1

REVISION:

0



ADD : 45/7-9 Percy St, Auburn,
NSW 2144, Australia

PH : 02 9188 6801

MAIL : sales@armorcases.com.au

WEB : www.armorcases.com.au