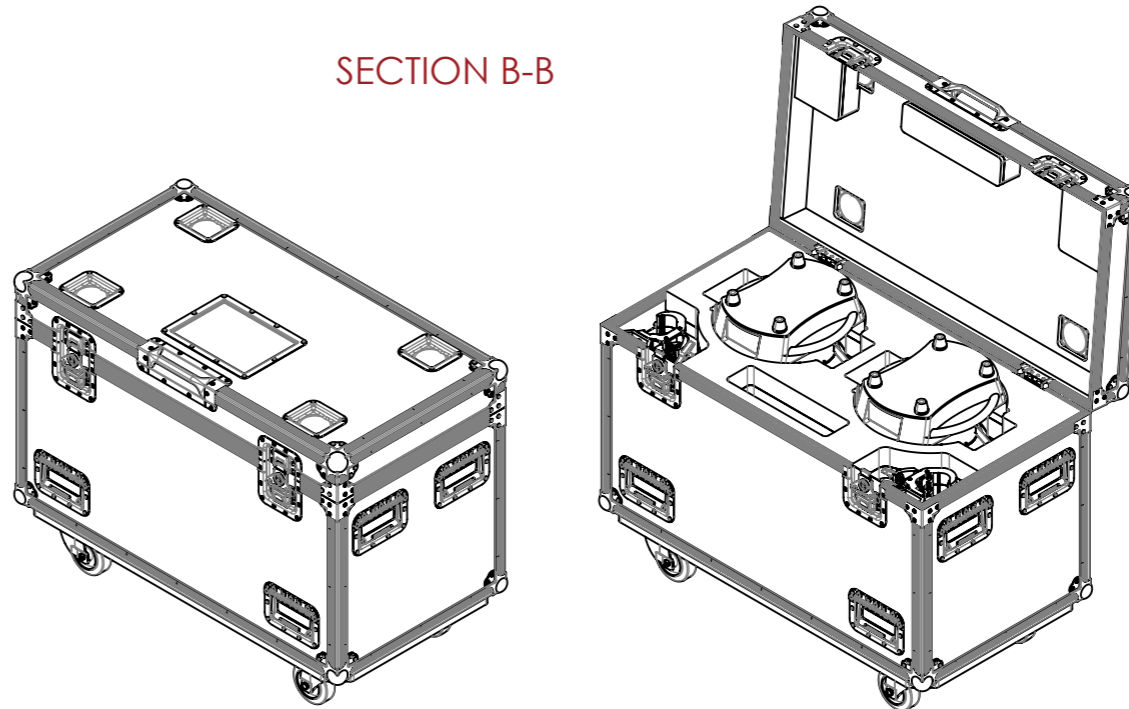


SECTION B-B



NOTES:

CUSTOMER:

QUANTITY:

DRAWING:
LXMOV-CHAVT-EXOW

DRAWN BY: CHECKED BY:

SCALE:
NTS

REVISION:
0



ADD : 45/7-9 Percy St, Auburn,
NSW 2144, Australia
PH : 02 9188 6801
MAIL : sales@armorcases.com.au
WEB : www.armorcases.com.au