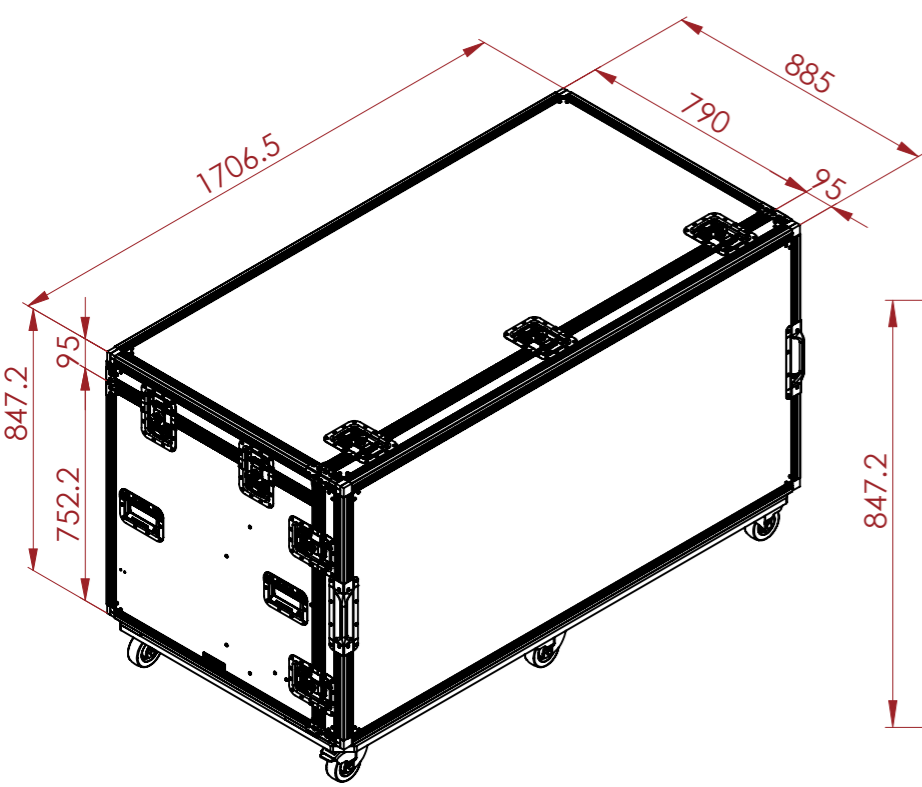
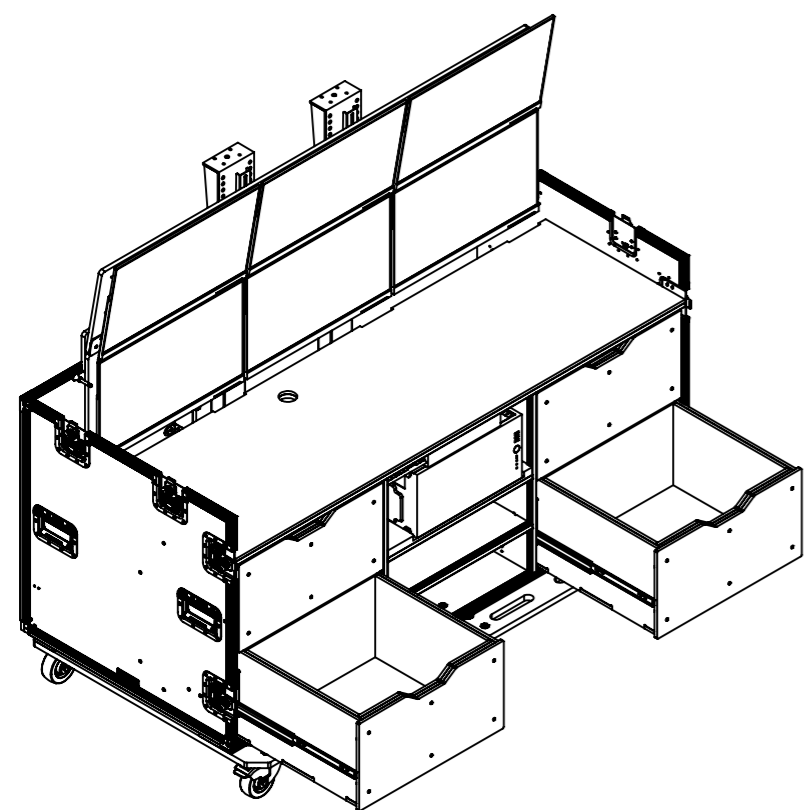
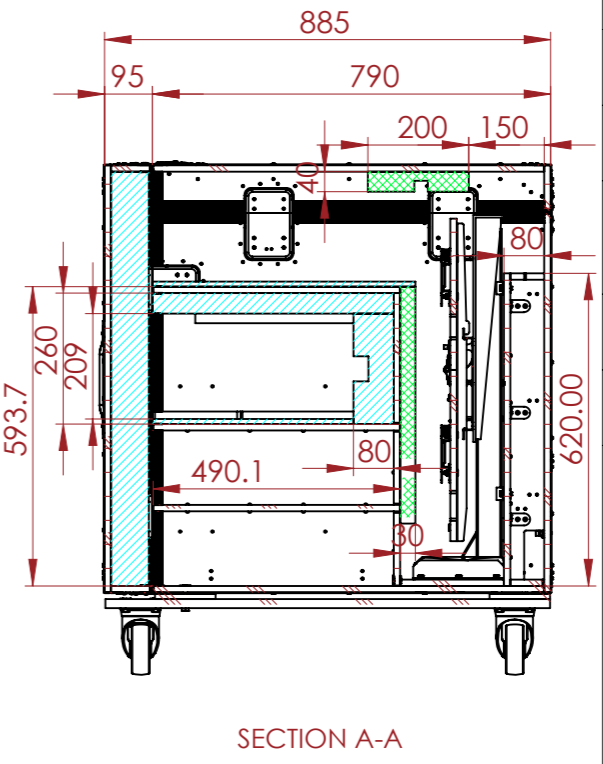
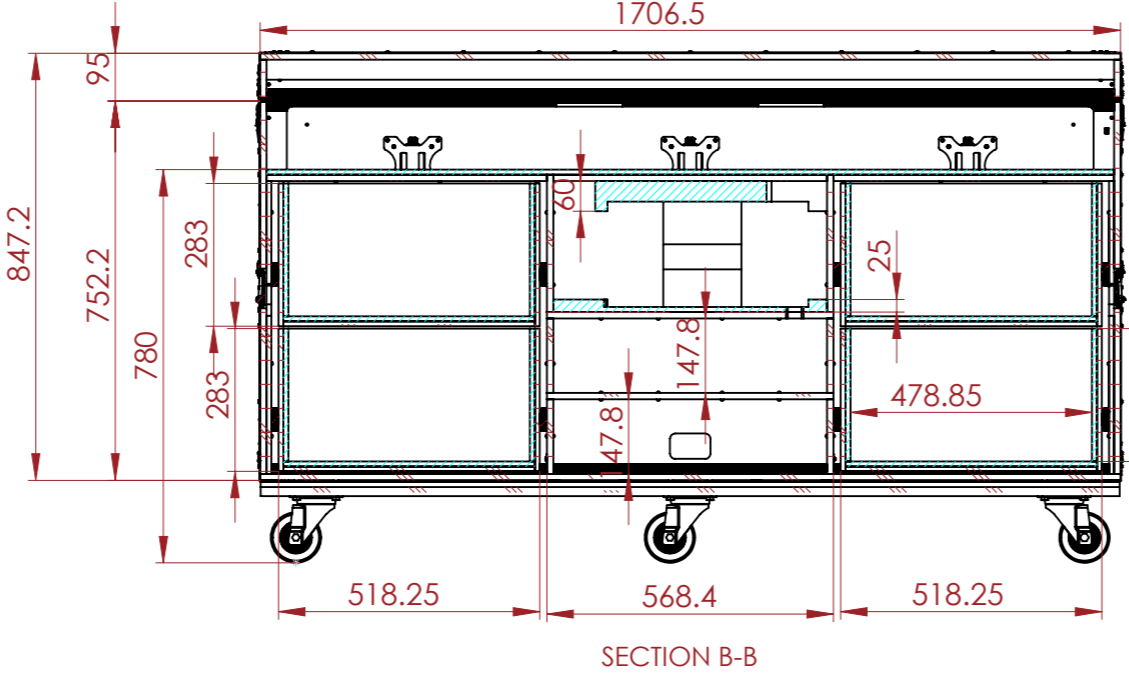


 EVA FOAM
 EPE 25 FOAM



NOTES:

REV	DESCRIPTION	DATE
0	ORIGINAL ISSUE	10/01/2023

ESTIMATED WEIGHT:
216.43 KG

QUANTITY:
1

ITEM CODE:
WS-FP3-SL6

DRAWN BY: RP CHECKED BY: AS

SCALE:
NTS



ADD : 45/7-9 Percy St, Auburn,
 NSW 2144, Australia
 PH : 02 9188 6801
 MAIL : sales@armorcases.com.au
 WEB : www.armorcases.com.au