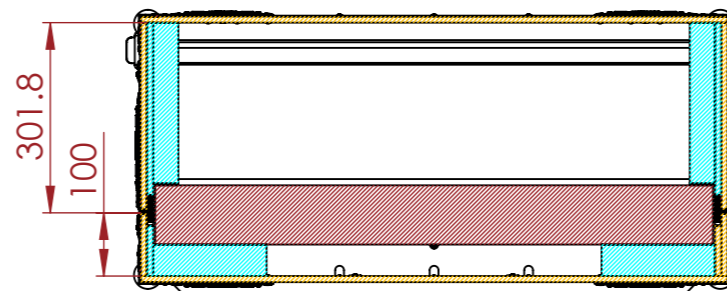
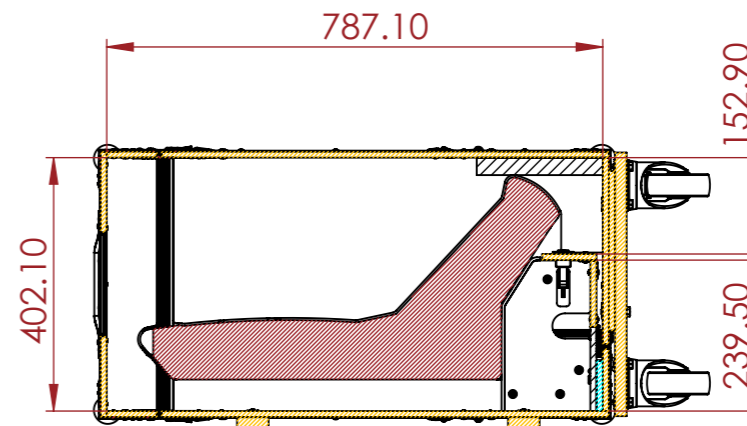


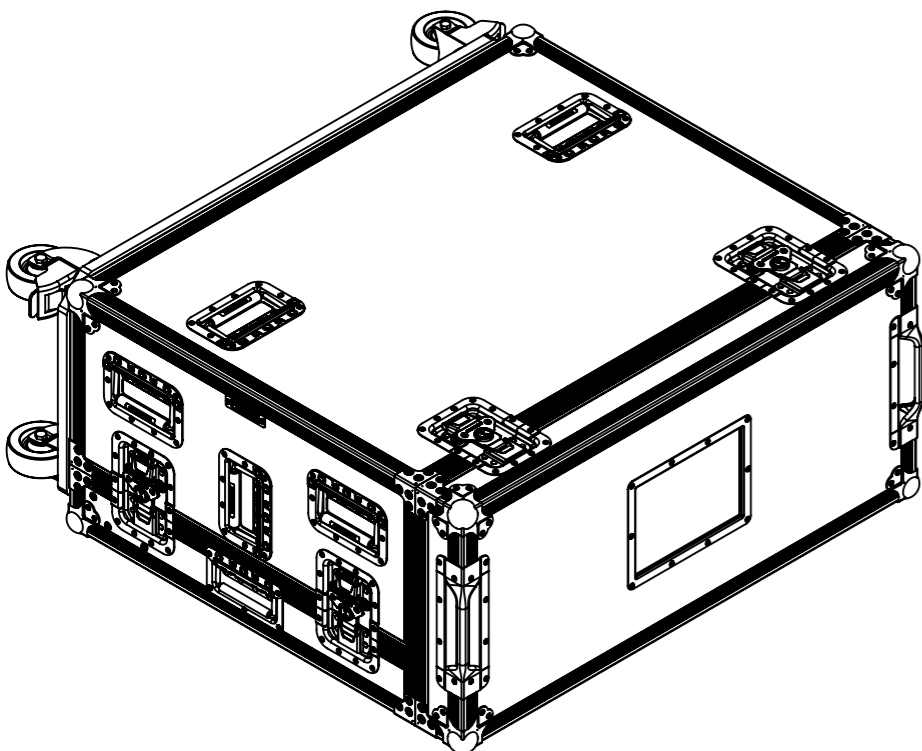
SECTION C-C



SECTION B-B



SECTION A-A



NOTES:

REV	DESCRIPTION	DATE
0	ORIGINAL ISSUE	10/31/2022

ESTIMATED WEIGHT (CASE ONLY):  
**49.75 KG**

QUANTITY:  
**1**

ITEM CODE:  
**MIXR-AH-C3500**

DRAWN BY: **K.I**      CHECKED BY: **AS**

SCALE:  
**NTS**



ADD : 45/7-9 Percy St, Auburn,  
 NSW 2144, Australia  
 PH : 02 9188 6801  
 MAIL : sales@armorcases.com.au  
 WEB : www.armorcases.com.au