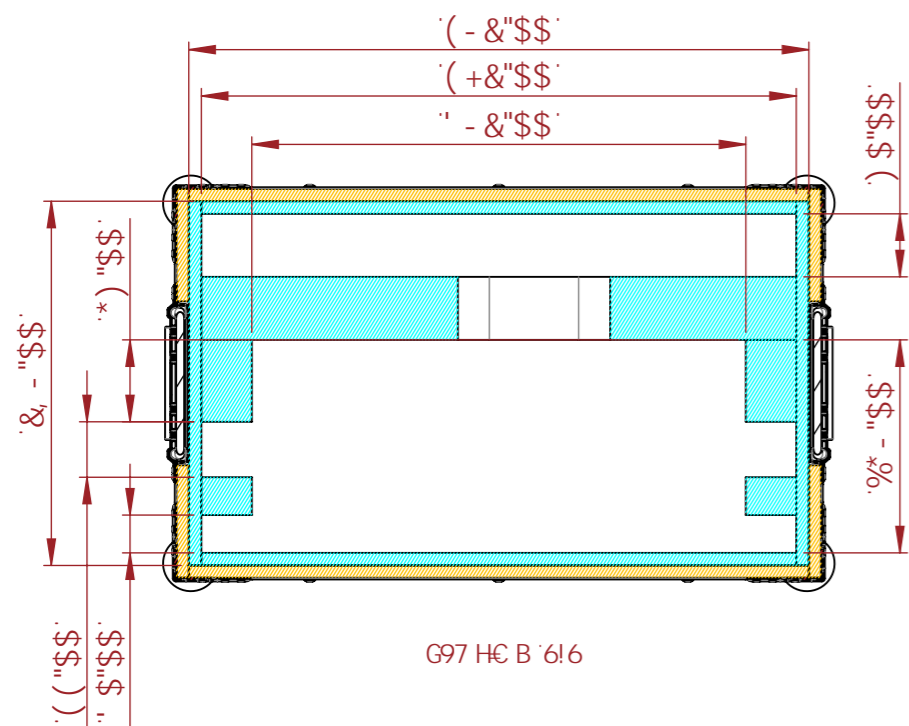
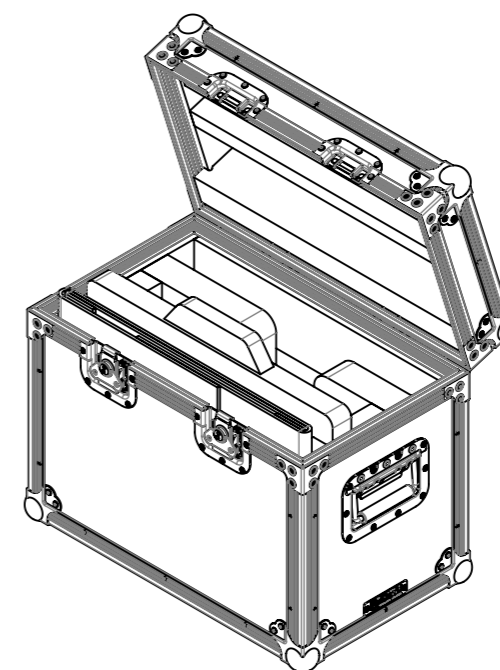
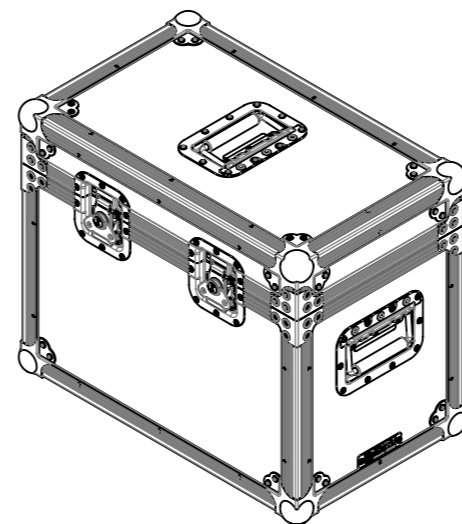


G97 HC B '7!7



G97 HC B '6!6



BC HPG

71 GCA 9F.

Gja cb'>UW\_a Ub

E I 5BHMM

%

8F5K B:

8-€D!GA 5@& 8!7-B9%

8F5K B '6M

7<97?98 '6M

? "=

5G

G7 5@

F9J-€CB.

BHG

\$



588 .( ) #+!- 'DYfWmGz5i Vi fbž

'BCK '&% (ž5i gfU'JU

D< . \$&'-% , \* , \$%

A 5@ . gJ'Yg4 Ufa c fWUg'g'Wca "Ui

K 96 . k k k "Ufa c fWUg'g'Wca "Ui