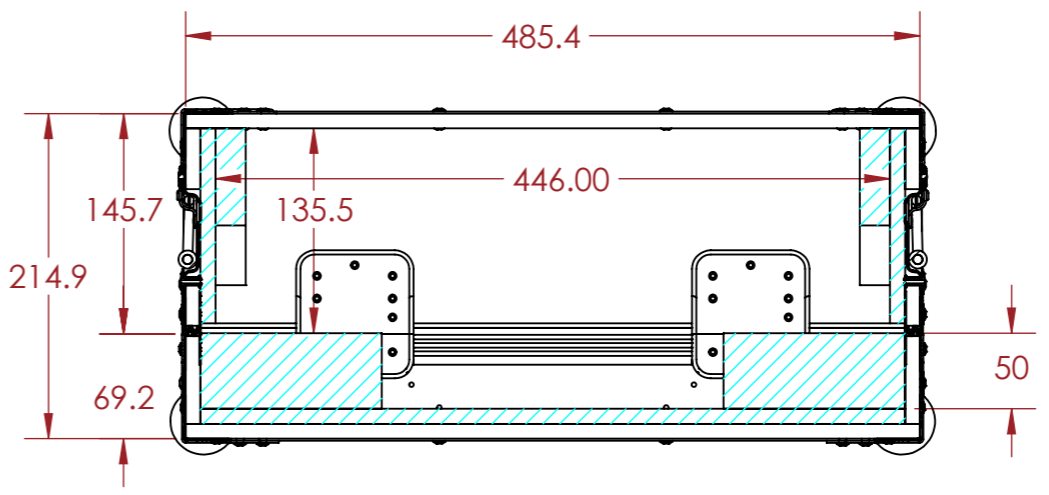
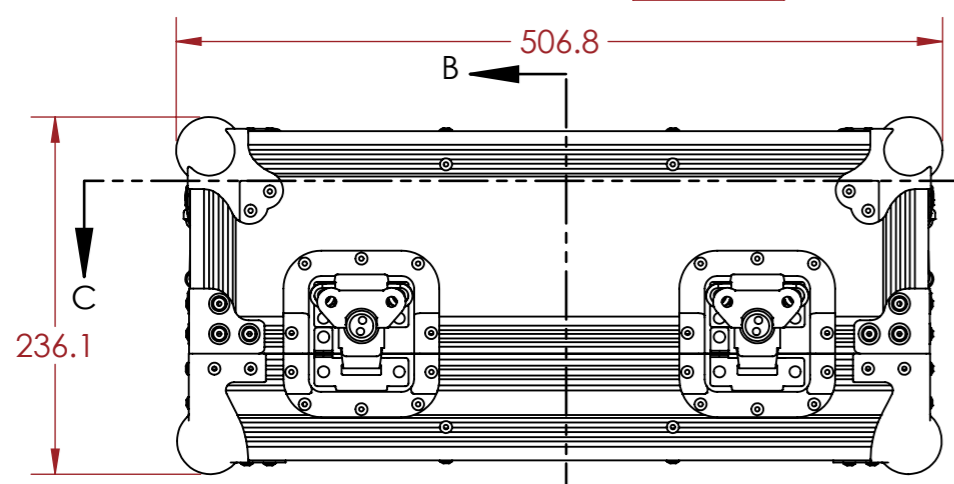


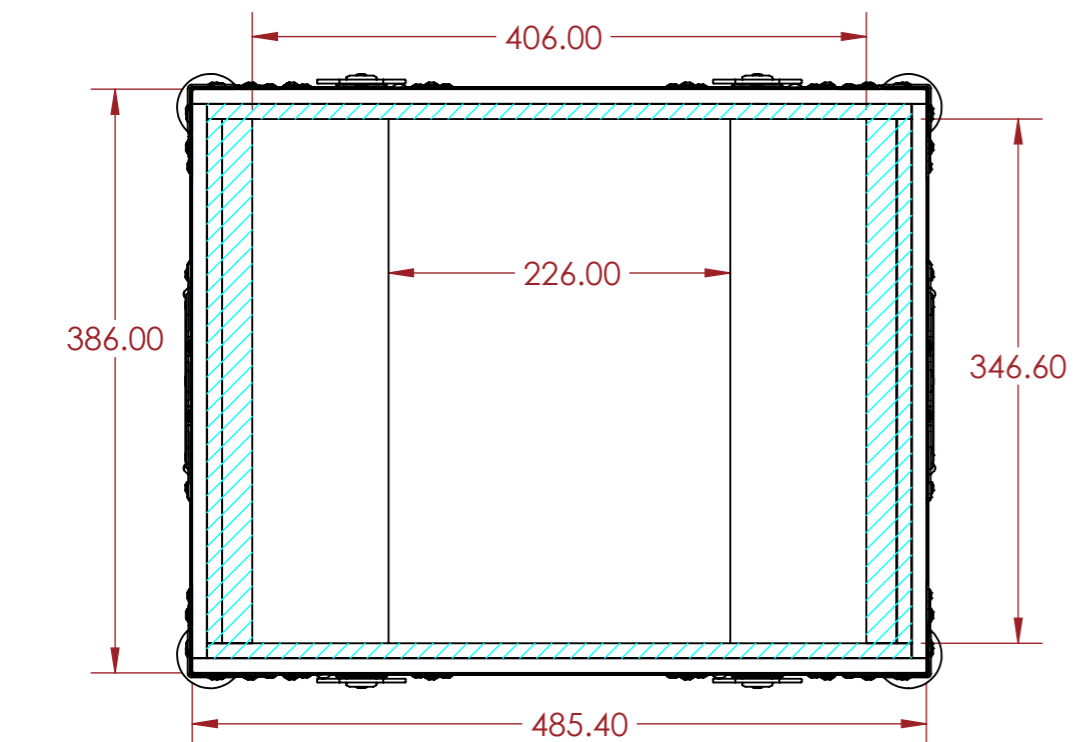
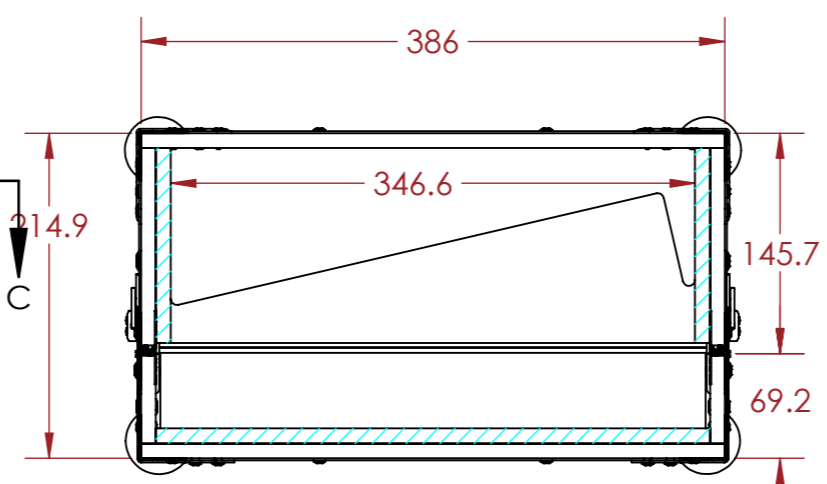
SIDE VIEW



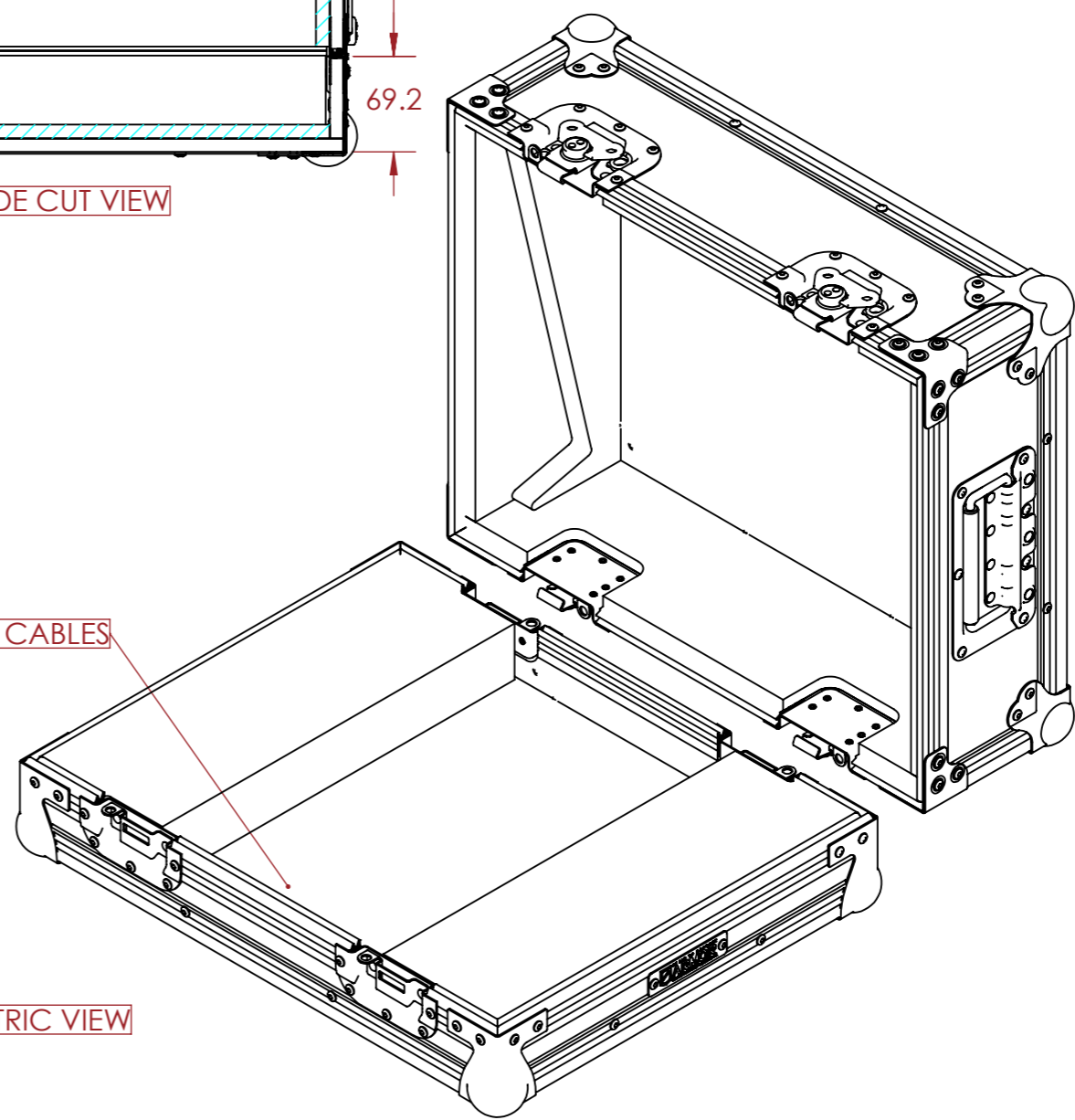
SIDE CUT VIEW



FRONT VIEW



SECTION C-C



ISOMETRIC VIEW

NOTES:

REV	DESCRIPTION	DATE
0	ORIGINAL ISSUE	10/31/2022

ESTIMATED WEIGHT:  
16.3 KG

QUANTITY:  
2

ITEM CODE:  
01 LXCTRL-LSC-MINIM

DRAWN BY: DS      CHECKED BY: AS

SCALE:  
NTS



ADD : 45/7-9 Percy St, Auburn,  
NSW 2144, Australia  
PH : 02 9188 6801  
MAIL : sales@armorcases.com.au  
WEB : www.armorcases.com.au