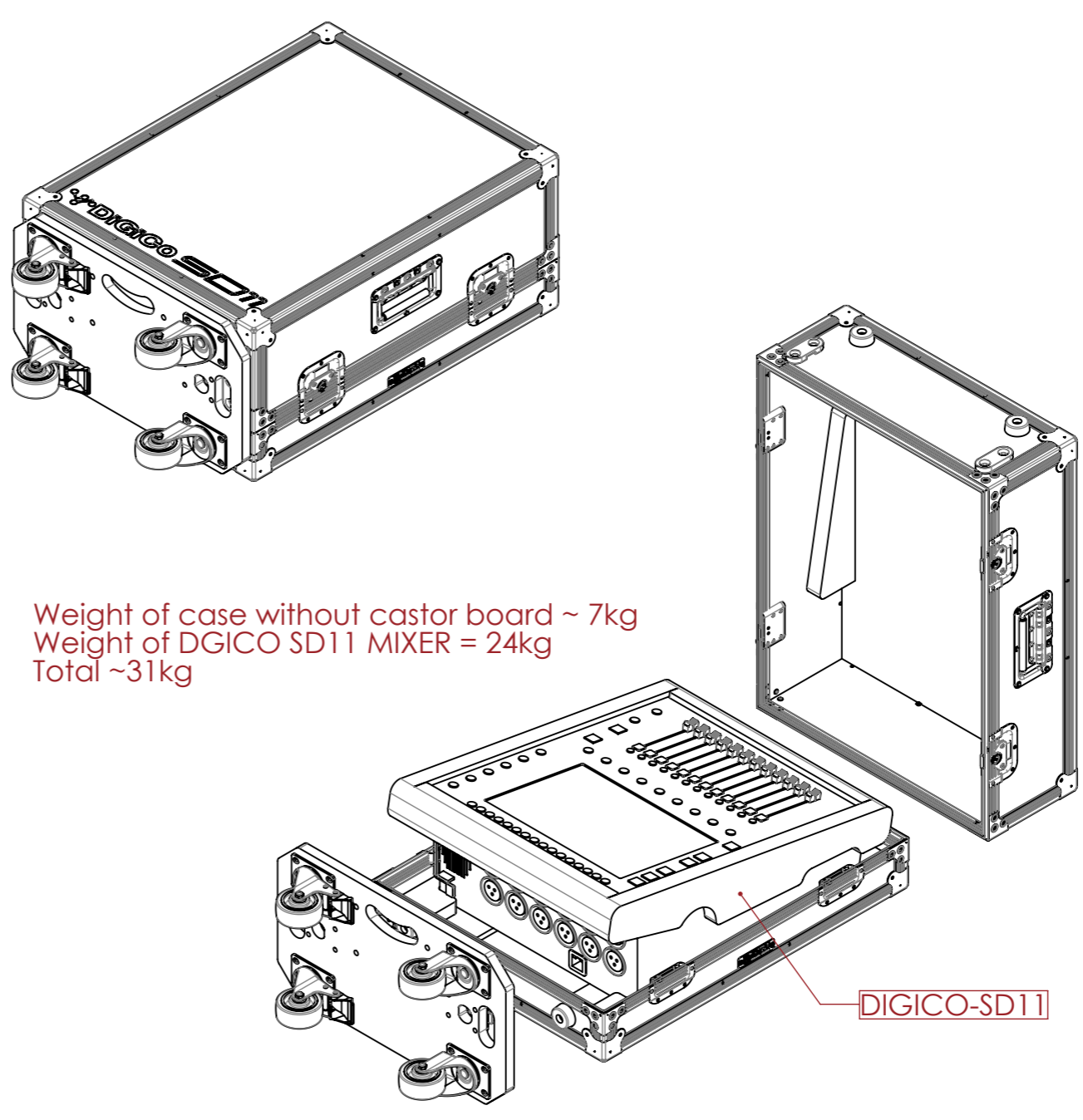
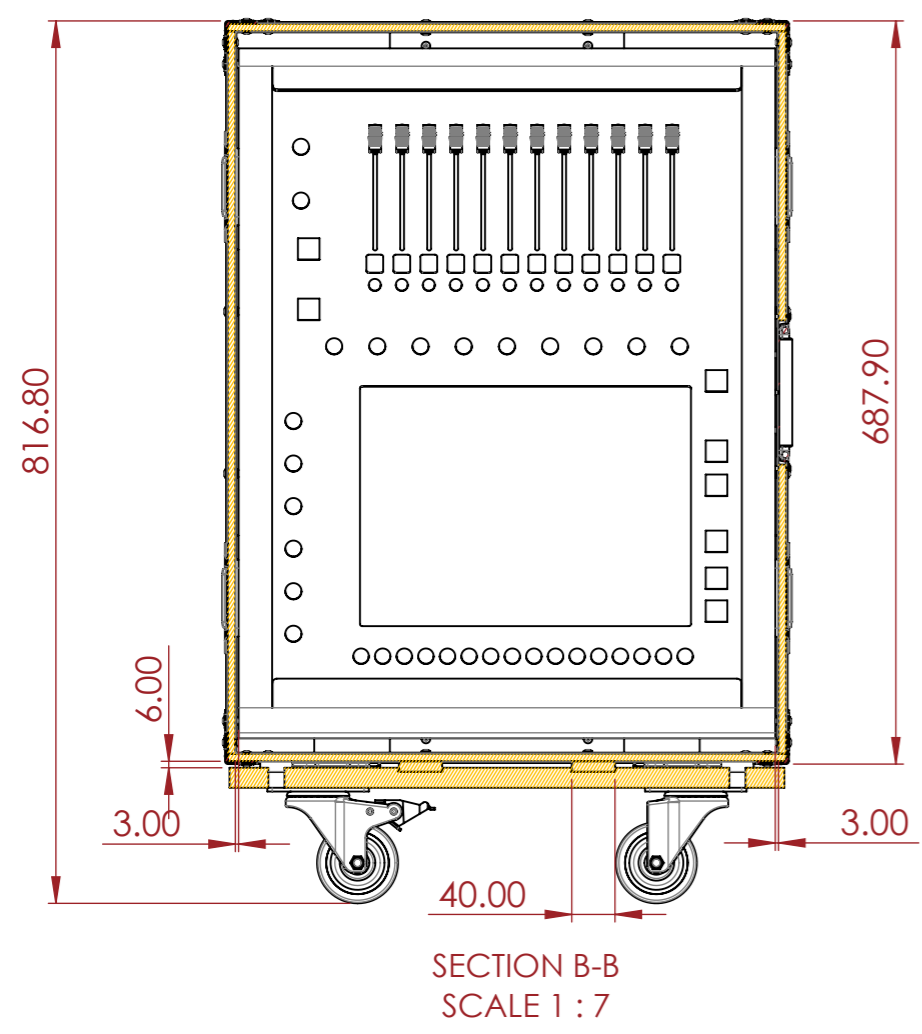
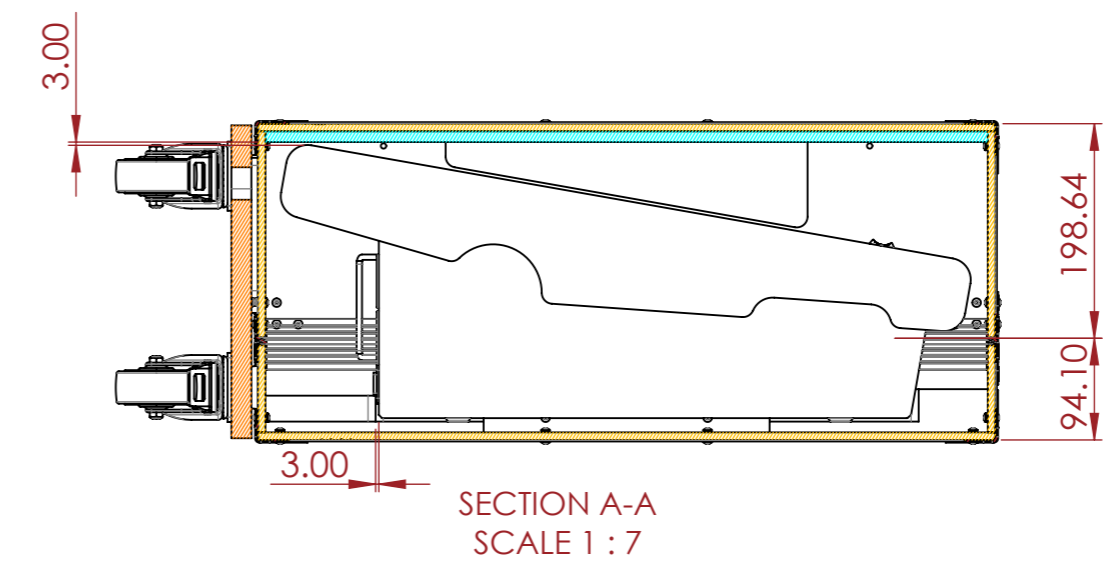
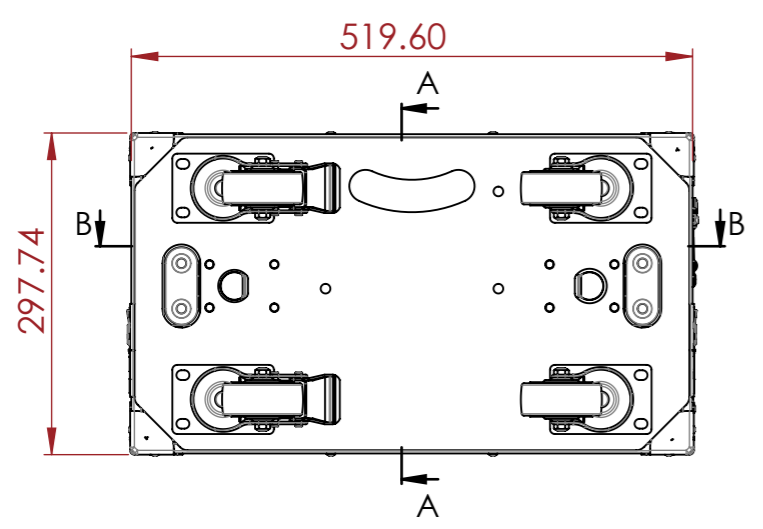


NOTES:



Weight of case without castor board ~ 7kg
 Weight of DIGICO SD11 MIXER = 24kg
 Total ~31kg

REV	DESCRIPTION	DATE
0	ORIGINAL ISSUE	10/31/2022

ESTIMATED WEIGHT (CASE ONLY):
11.75 KG

QUANTITY:
1

ITEM CODE:
MIXR-DIGI-SD11-F

DRAWN BY: **HA** CHECKED BY: **AS**

SCALE:
NTS



ADD : 45/7-9 Percy St, Auburn,
 NSW 2144, Australia
 PH : 02 9188 6801
 MAIL : sales@armorcases.com.au
 WEB : www.armorcases.com.au