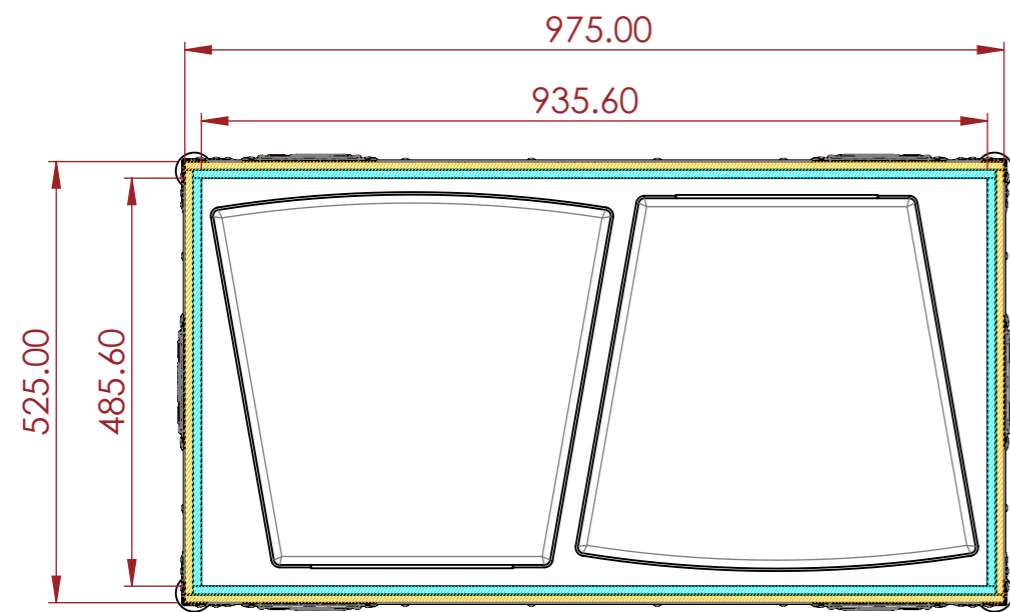
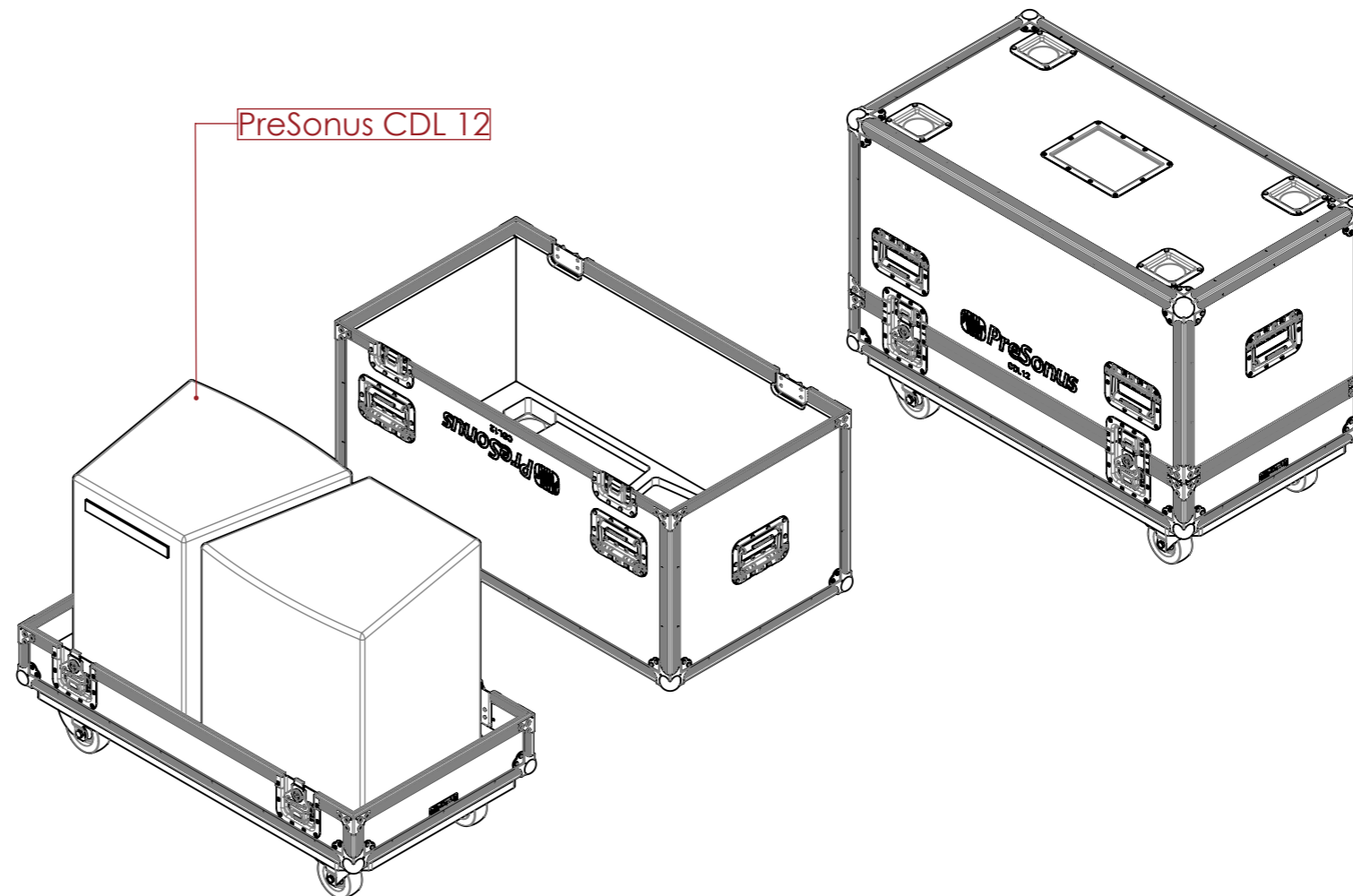


SECTION A-A



SECTION B-B



NOTES:

REV	DESCRIPTION	DATE
0	ORIGINAL ISSUE	10/31/2022

ESTIMATED WEIGHT (CASE ONLY):  
39.25 KG

QUANTITY:  
1

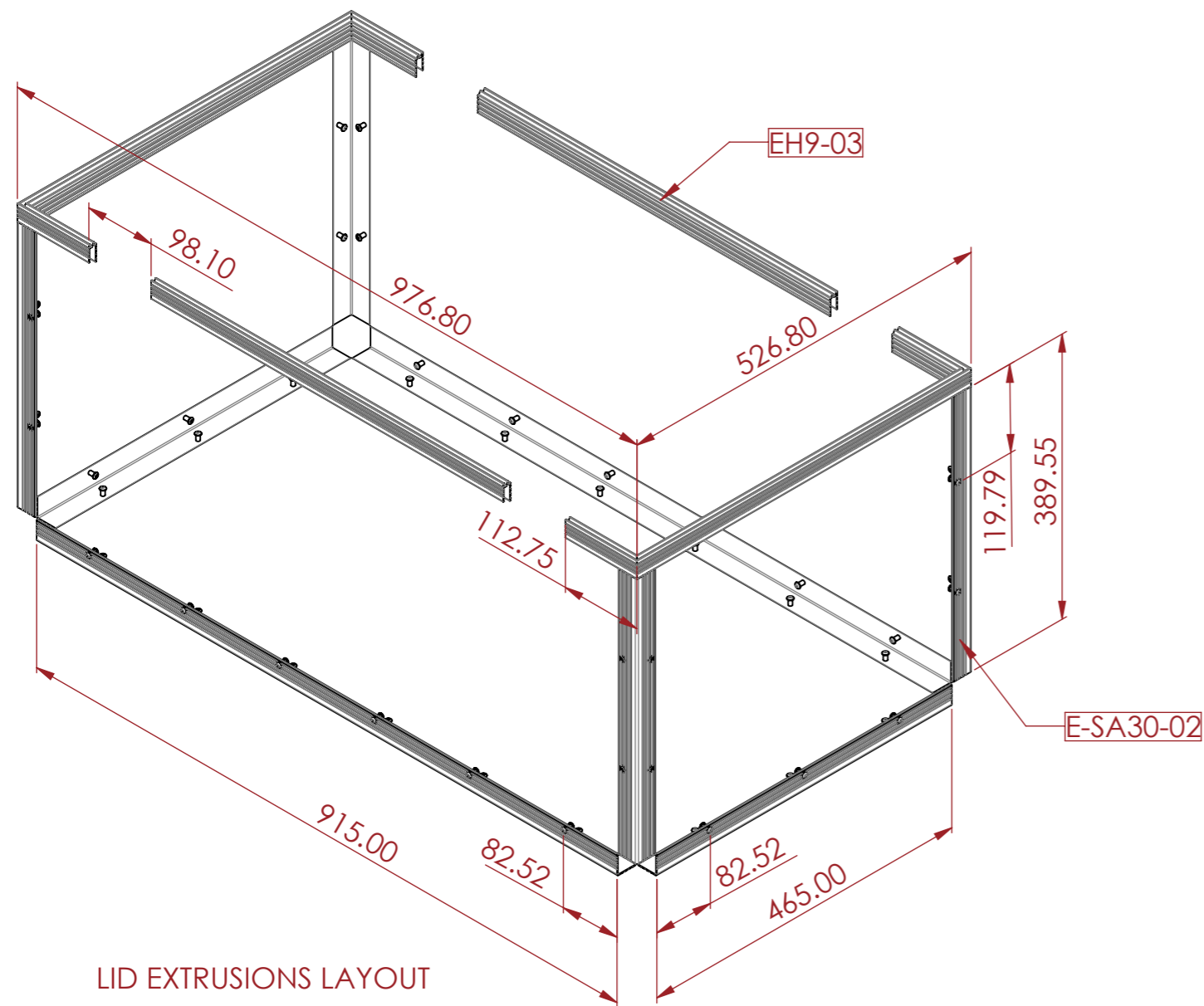
ITEM CODE:  
SPK-PRESO-CD12

DRAWN BY: K.I.      CHECKED BY: AS

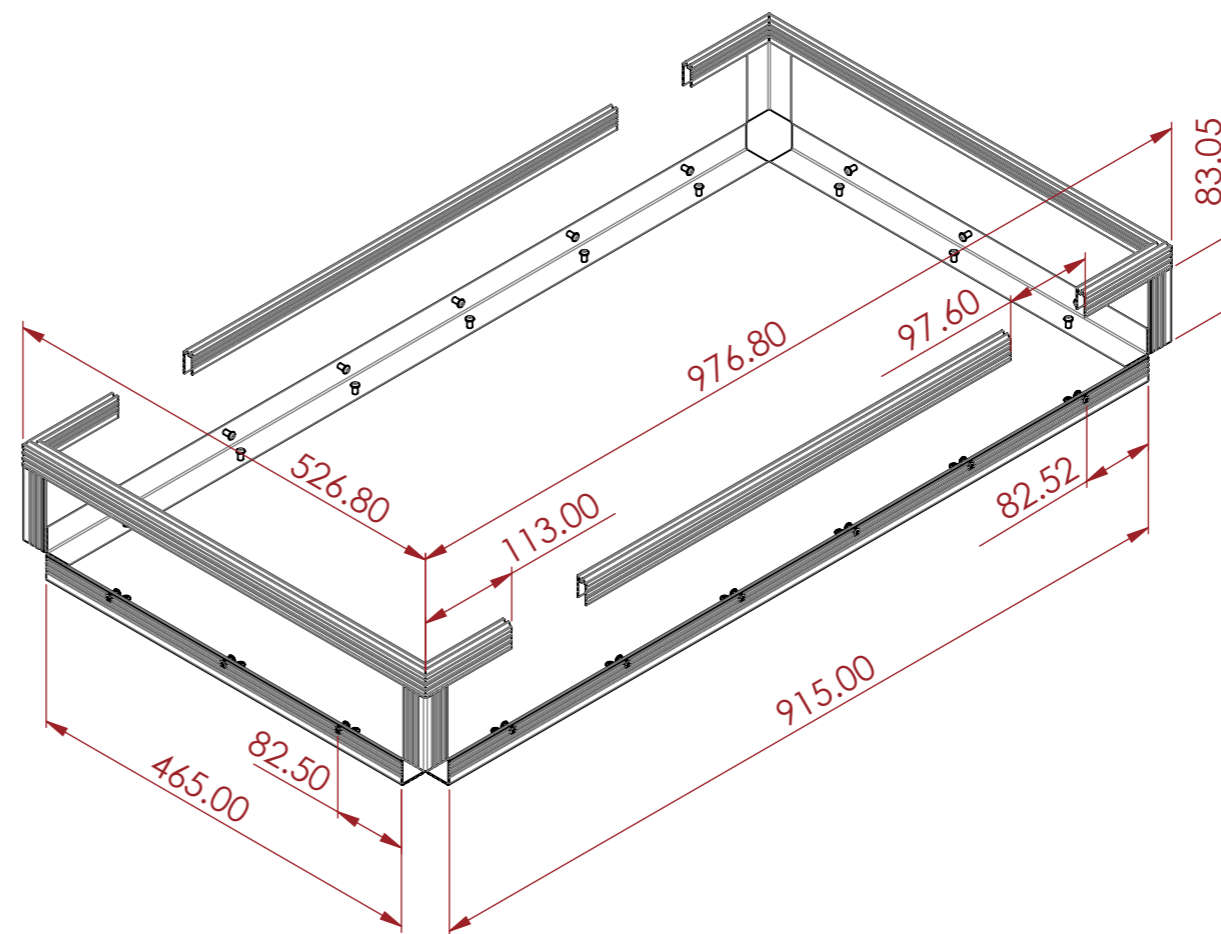
SCALE:  
NTS



ADD : 45/7-9 Percy St, Auburn,  
NSW 2144, Australia  
PH : 02 9188 6801  
MAIL : sales@armorcases.com.au  
WEB : www.armorcases.com.au



LID EXTRUSIONS LAYOUT



BASE EXTRUSIONS LAYOUT

NOTES:

REV	DESCRIPTION	DATE
0	ORIGINAL ISSUE	10/31/2022

ESTIMATED WEIGHT (CASE ONLY):

39.25 KG

QUANTITY:

1

ITEM CODE:

SPK-PRESO-CD12

DRAWN BY:

K.I

CHECKED BY:

AS

SCALE:

NTS



ADD : 45/7-9 Percy St, Auburn,  
NSW 2144, Australia  
PH : 02 9188 6801  
MAIL : sales@armorcases.com.au  
WEB : www.armorcases.com.au

ITEM NO.	ERP FILE NAME	QTY.
9	CNR-C3102M-2MM	8
10	RVT-0520	242
11	LAT-PN-L944/527MOL3	4
12	BDG-ARMOR	2
13	BRC-B4501M	8
14	CSTR-PN-W9008-V6	4
15	NUT-T-M8	18
16	WSHR-M8-RING	16
26	HDL-PN-H7151Z	6
27	LAT-PN-L944/527MOL3	4
31	DISH-PN-D2115Z	1
32	DISH-6503	4

NOTES:

REV	DESCRIPTION	DATE
0	ORIGINAL ISSUE	10/31/2022

ESTIMATED WEIGHT (CASE ONLY):  
**39.25 KG**

QUANTITY:  
**1**

ITEM CODE:  
**SPK-PRESO-CD12**

DRAWN BY: **K.I**      CHECKED BY: **AS**

SCALE:  
**NTS**



ADD : 45/7-9 Percy St,Auburn,  
NSW 2144, Australia  
PH : 02 9188 6801  
MAIL : sales@armorcases.com.au  
WEB : www.armorcases.com.au