

NOTES:

REV	DESCRIPTION	DATE
0	ORIGINAL ISSUE	22/08/2023

ESTIMATED WEIGHT (CASE ONLY):
126.33KG

QUANTITY:
1

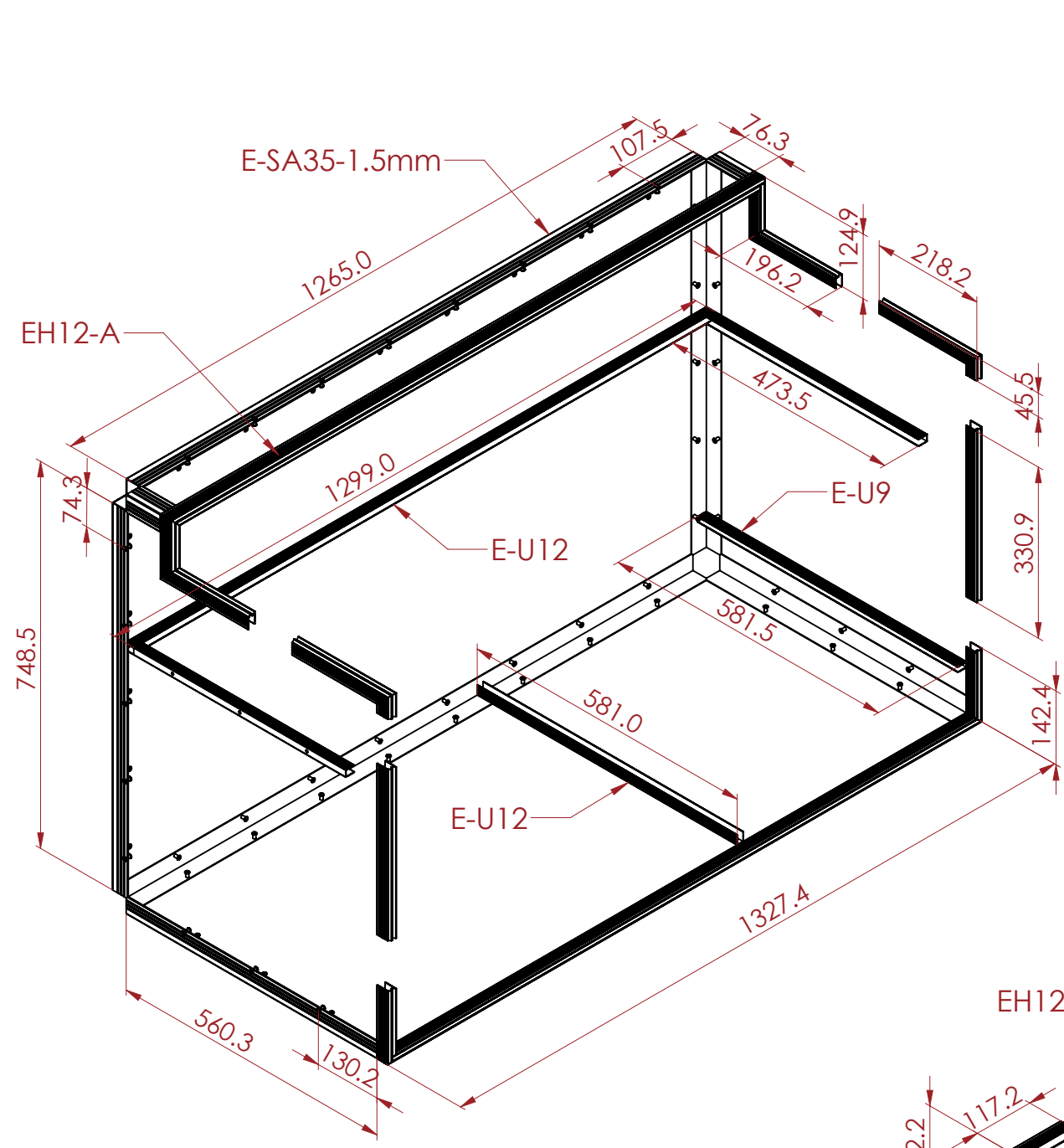
ITEM CODE:
WS-GI600-RD

DRAWN BY: RP CHECKED BY: AS

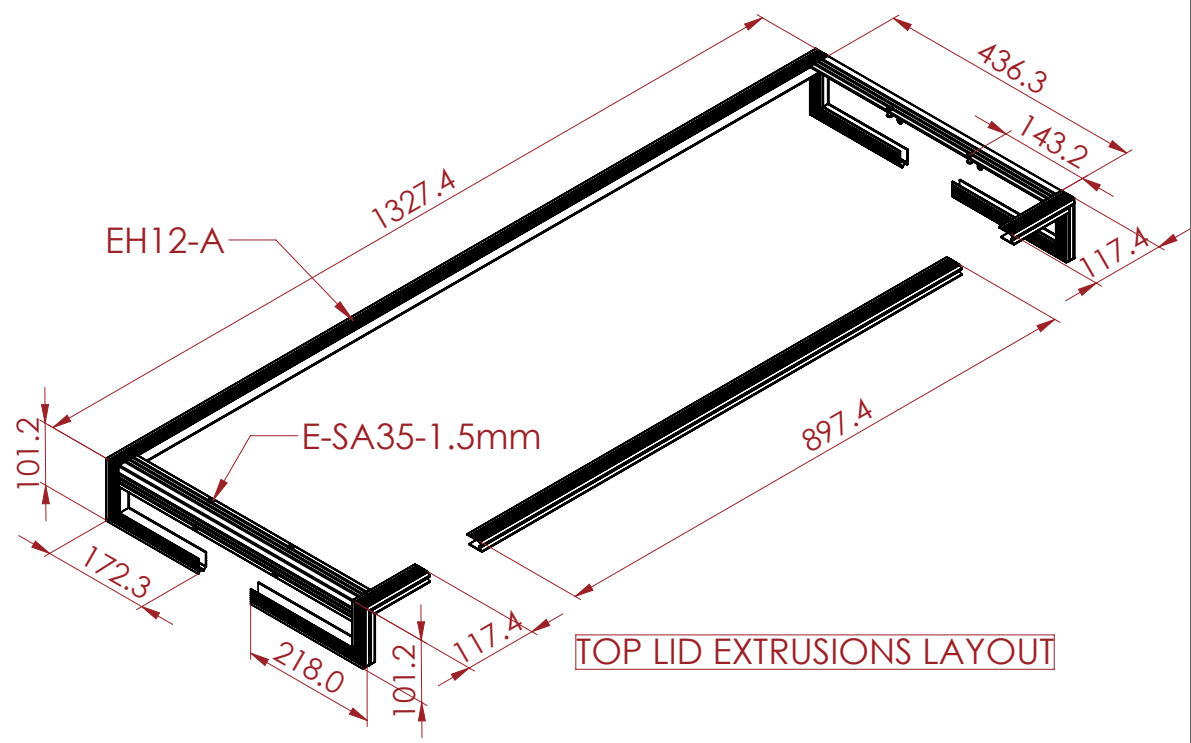
SCALE:
NTS



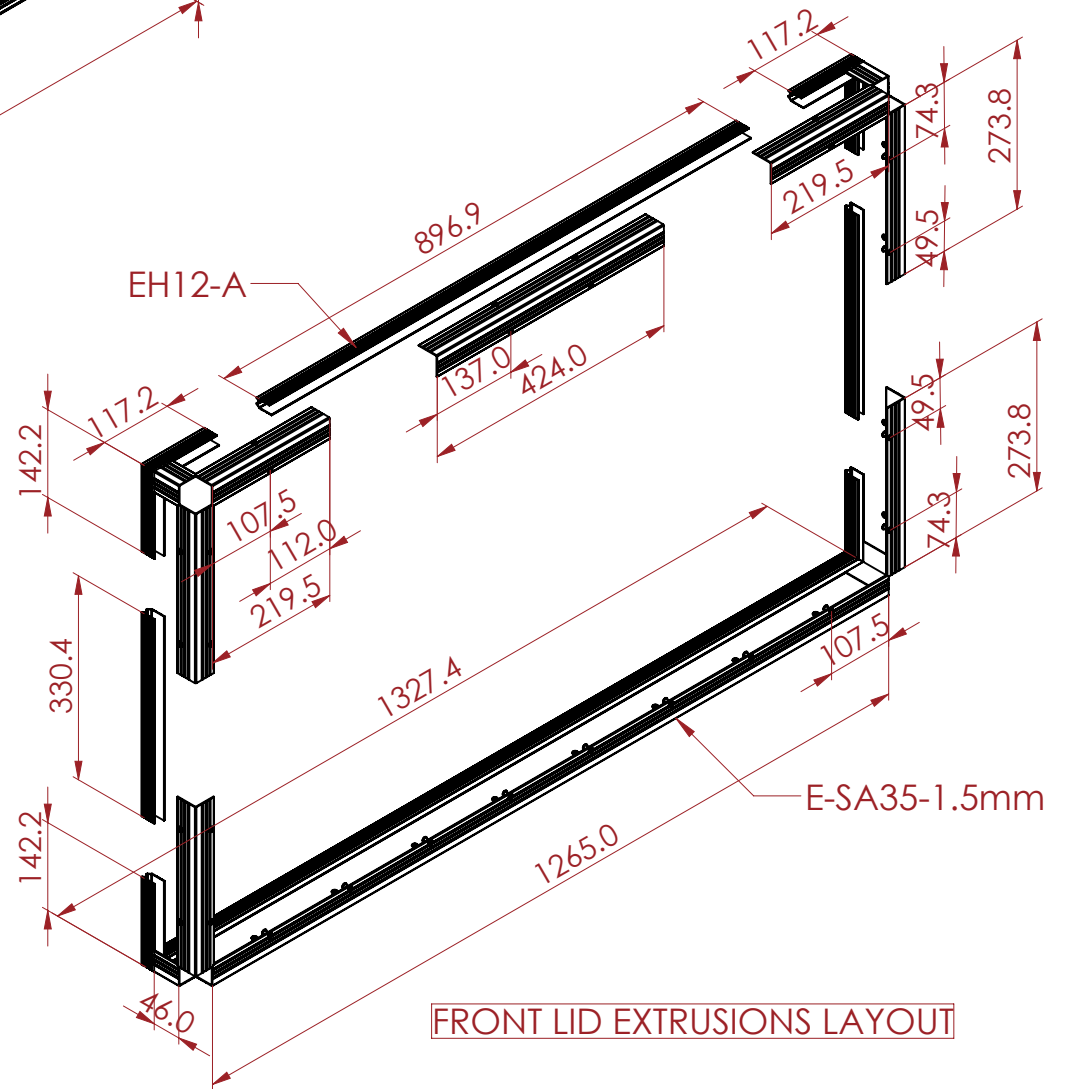
ADD : 45/7-9 Percy St, Auburn,
NSW 2144, Australia
PH : 02 9188 6801
MAIL : sales@armorcases.com.au
WEB : www.armorcases.com.au



BASE EXTRUSIONS LAYOUT



TOP LID EXTRUSIONS LAYOUT



FRONT LID EXTRUSIONS LAYOUT

NOTES:

REV	DESCRIPTION	DATE
0	ORIGINAL ISSUE	22/08/2023

ESTIMATED WEIGHT (CASE ONLY):

126.33KG

QUANTITY:

1

ITEM CODE:

WS-GI600-RD

DRAWN BY: RP

CHECKED BY: AS

SCALE:

NTS



ADD : 45/7-9 Percy St, Auburn,
NSW 2144, Australia
PH : 02 9188 6801
MAIL : sales@armorcases.com.au
WEB : www.armorcases.com.au

ITEM NO.	ERP FILE NAME	QTY.
79	BAG-500X300X80	2
80	BDG-ARMOR	2
81	BLT-HEX-M8X25	8
82	BLT-HEX-M8X45	13
83	BLT-WAF-M4X10-Z	60
84	BLT-WAF-M4X20-Z	12
85	BLT-WAF-M6X20-Z	9
86	BLT-WAF-M6X25-Z	3
87	BLT-WAF-M6X35-Z	2
88	BRC-4602M	4
89	BRC-B4501M	12
90	CARP-M5005-BR	1
91	CNR-C3102M-2MM	8
92	CSTR-PN-W9000-V6	2
93	CSTR-PN-W9008-V6	2
94	DRR-45-350-SC-BK	8
95	DRR-68-350-L	2
96	DRR-68-R50-350-Z	2
116	EXT-H-B30	1
117	HDL-PN-H2026Z	4
118	HDL-PN-H7151Z	2
119	HING-BH5038	1
120	HING-P50-1.5	1
121	LAT-PN-L2455	1
122	LAT-PN-L944/527MOL3	8
124	LSD-G22-360135-16K-C	2
125	NUT-H-M6	8
126	NUT-M4-SL-10	72
127	NUT-M6-LOCK	6
128	NUT-T-M8	21
129	PLT-P2456	1
130	RAK-R7101-08U	2
131	RVT-0526	377
132	STRAP-V50-LM	1
133	STRAP-V50-LM	1
134	VESA-XMA-03	2
135	WSHR-M8-RING	16

NOTES:

REV	DESCRIPTION	DATE
0	ORIGINAL ISSUE	22/08/2023

ESTIMATED WEIGHT (CASE ONLY):
126.33KG

QUANTITY:
1

ITEM CODE:
WS-GI600-RD

DRAWN BY: RP CHECKED BY: AS

SCALE:
NTS



ADD : 45/7-9 Percy St,Auburn,
NSW 2144, Australia
PH : 02 9188 6801
MAIL : sales@armorcases.com.au
WEB : www.armorcases.com.au