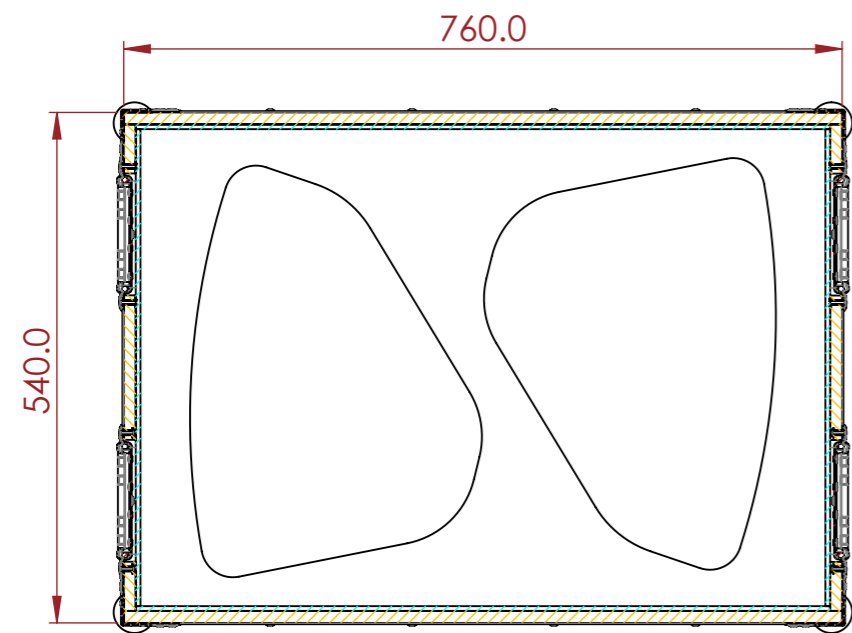
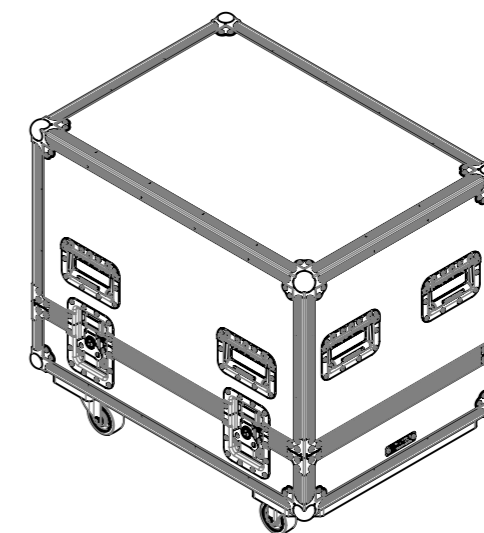
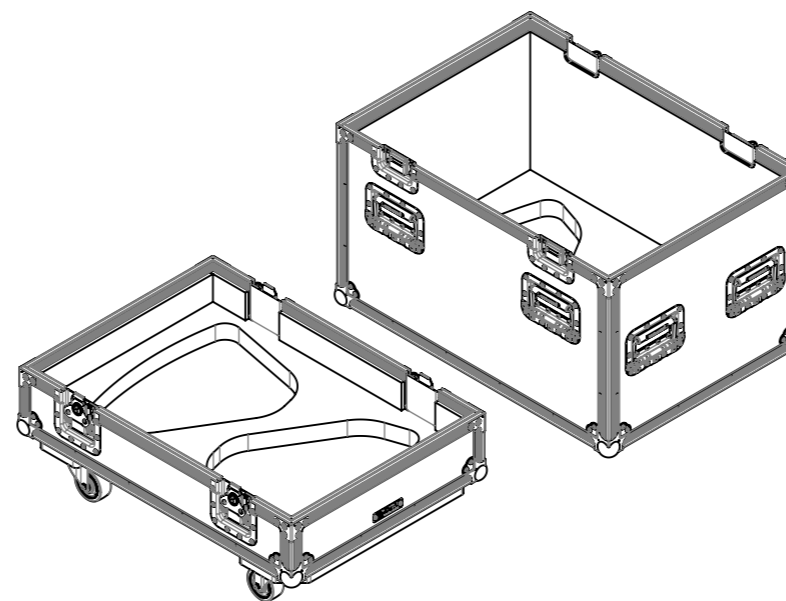


SECTION B-B



SECTION A-A



NOTES:

REV	DESCRIPTION	DATE
0	ORIGINAL ISSUE	10/31/2022

ESTIMATED WEIGHT (CASE ONLY):

**32.81 KG**

QUANTITY:

**1**

ITEM CODE:

**SPK-NEXO-P12**

DRAWN BY:

**K.I**

CHECKED BY:

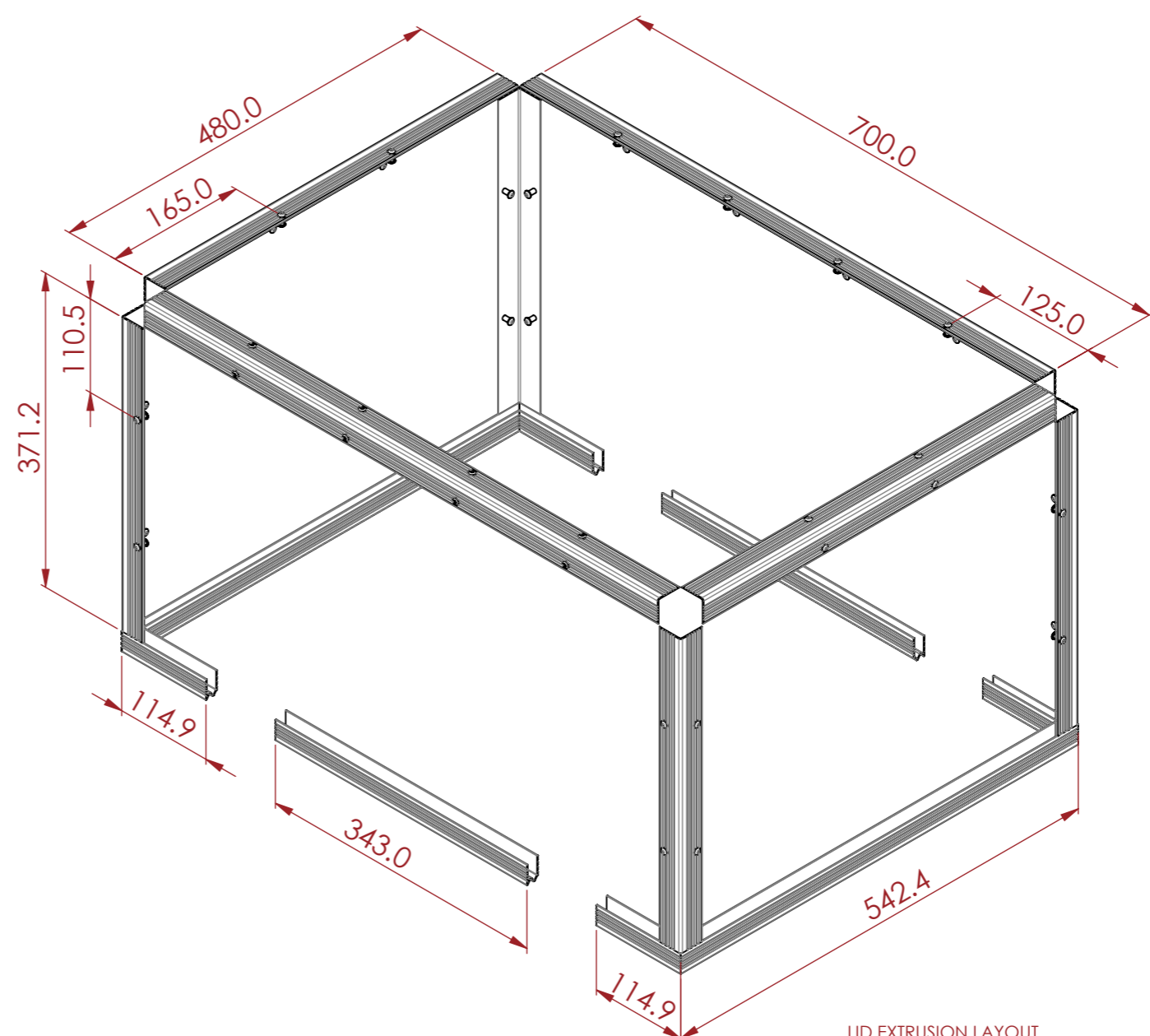
**AS**

SCALE:

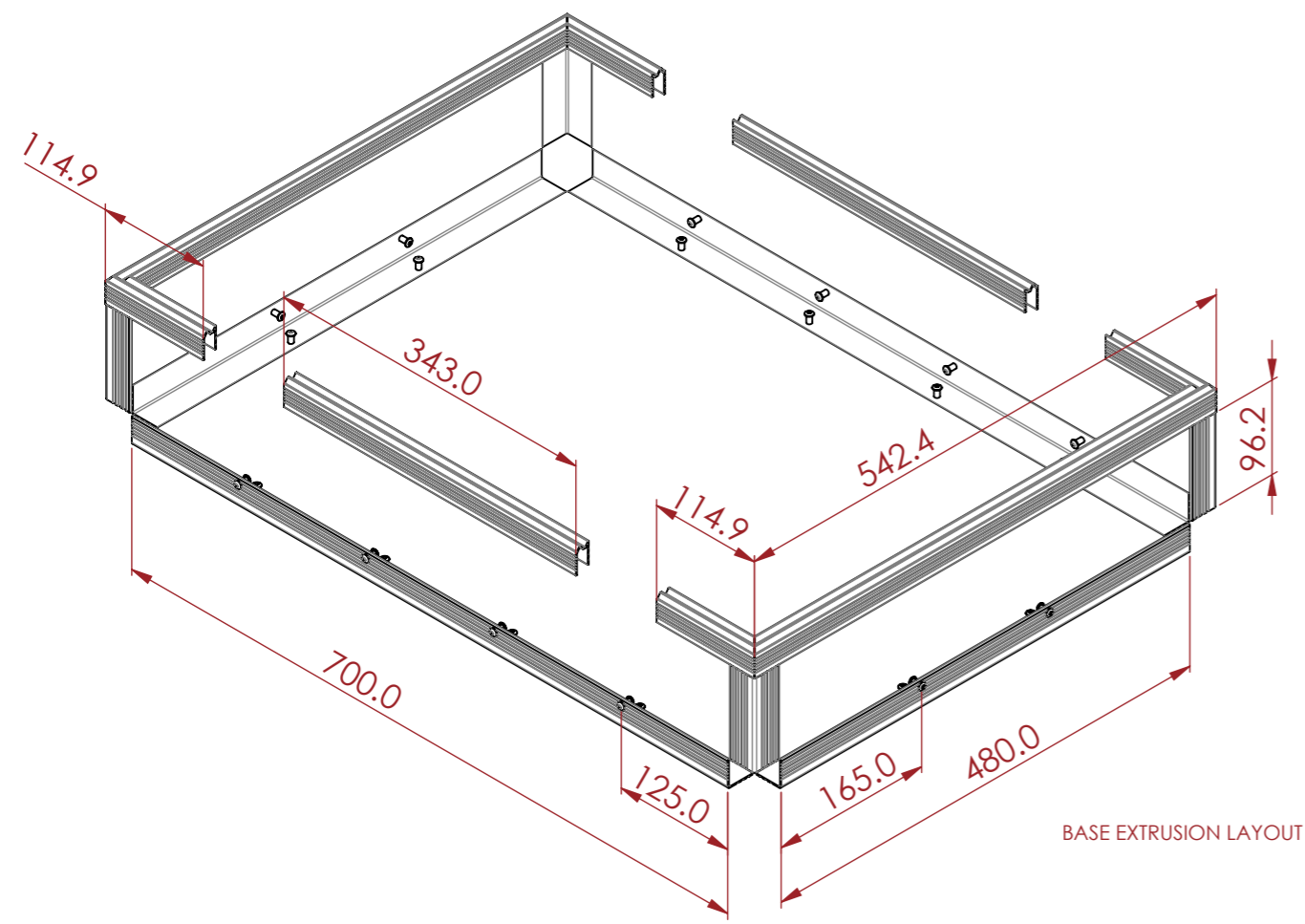
**NTS**



MAIL : [sales@armorcases.com.au](mailto:sales@armorcases.com.au)  
 WEB : [www.armorcases.com.au](http://www.armorcases.com.au)



LID EXTRUSION LAYOUT



BASE EXTRUSION LAYOUT

NOTES:

REV	DESCRIPTION	DATE
0	ORIGINAL ISSUE	10/31/2022

ESTIMATED WEIGHT (CASE ONLY):  
**32.81 KG**

QUANTITY:  
**1**

ITEM CODE:  
**SPK-NEXO-P12**

DRAWN BY: **K.I**      CHECKED BY: **AS**

SCALE:  
**NTS**



MAIL : [sales@armorcases.com.au](mailto:sales@armorcases.com.au)  
 WEB : [www.armorcases.com.au](http://www.armorcases.com.au)

ITEM NO.	ERP FILE NAME	QTY.
13	BRC-B4501M	8
14	RVT-0526	176
15	CNR-C3102M-2MM	8
21	LAT-L2403-27M	4
22	HDL-PN-H7151Z	8
23	RVT-0520	60
40	BDG-ARMOR	2
41	LAT-L2403-27M	4
42	CSTR-3B-75X32	4
43	NUT-T-M8	16
44	WSHR-M8-RING	16
45	BLT-HEX-M8X40	12
46	BLT-HEX-M8X20	4

NOTES:

REV	DESCRIPTION	DATE
0	ORIGINAL ISSUE	10/31/2022

ESTIMATED WEIGHT (CASE ONLY):  
**32.81 KG**

QUANTITY:  
**1**

ITEM CODE:  
**SPK-NEXO-P12**

DRAWN BY: **K.I**      CHECKED BY: **AS**

SCALE:  
**NTS**



MAIL : [sales@armorcases.com.au](mailto:sales@armorcases.com.au)  
 WEB : [www.armorcases.com.au](http://www.armorcases.com.au)