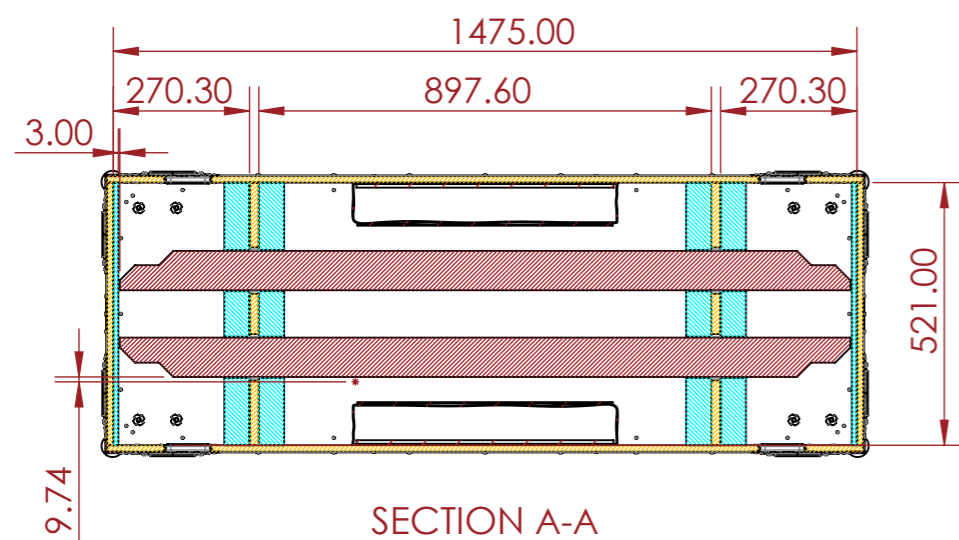
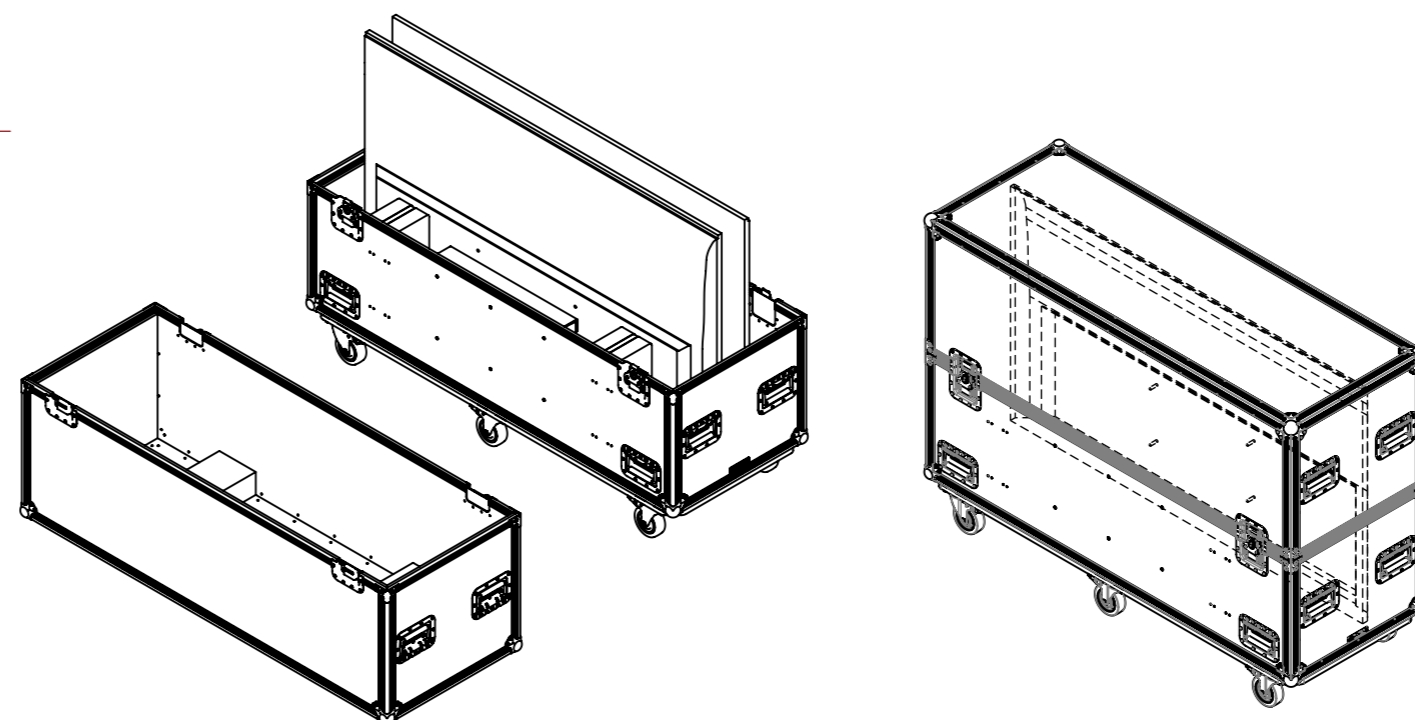


SECTION B-B



SECTION A-A



NOTES:

REV	DESCRIPTION	DATE
0	ORIGINAL ISSUE	10/31/2022

ESTIMATED WEIGHT (CASE ONLY):
81.93 KG

QUANTITY:
1

ITEM CODE:
TV-D65-HS-65A7KAU

DRAWN BY: **K.I** CHECKED BY: **AS**

SCALE:
NTS



ADD : 45/7-9 Percy St, Auburn,
NSW 2144, Australia
PH : 02 9188 6801
MAIL : sales@armorcases.com.au
WEB : www.armorcases.com.au