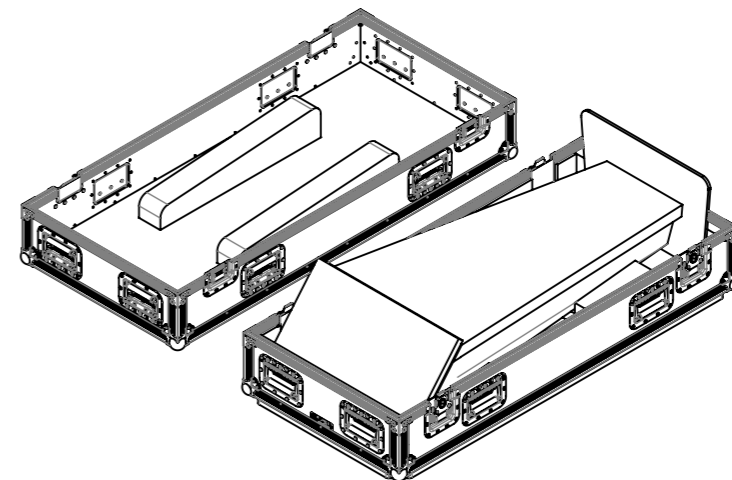
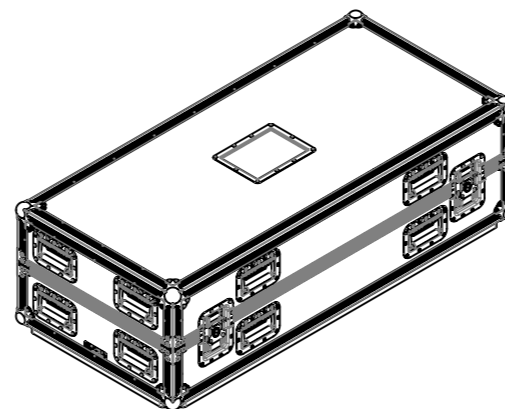


SECTION B-B



NOTES:

REV	DESCRIPTION	DATE
0	ORIGINAL ISSUE	10/31/2022

ESTIMATED WEIGHT:  
**82.22 KG**

QUANTITY:  
**1**

ITEM CODE:  
**LOL-TQL-L5120IK-SLIM**

DRAWN BY: **HA**      CHECKED BY: **AS**

SCALE:  
**NTS**



ADD : 45/7-9 Percy St, Auburn,  
NSW 2144, Australia  
PH : 02 9188 6801  
MAIL : sales@armorcases.com.au  
WEB : www.armorcases.com.au