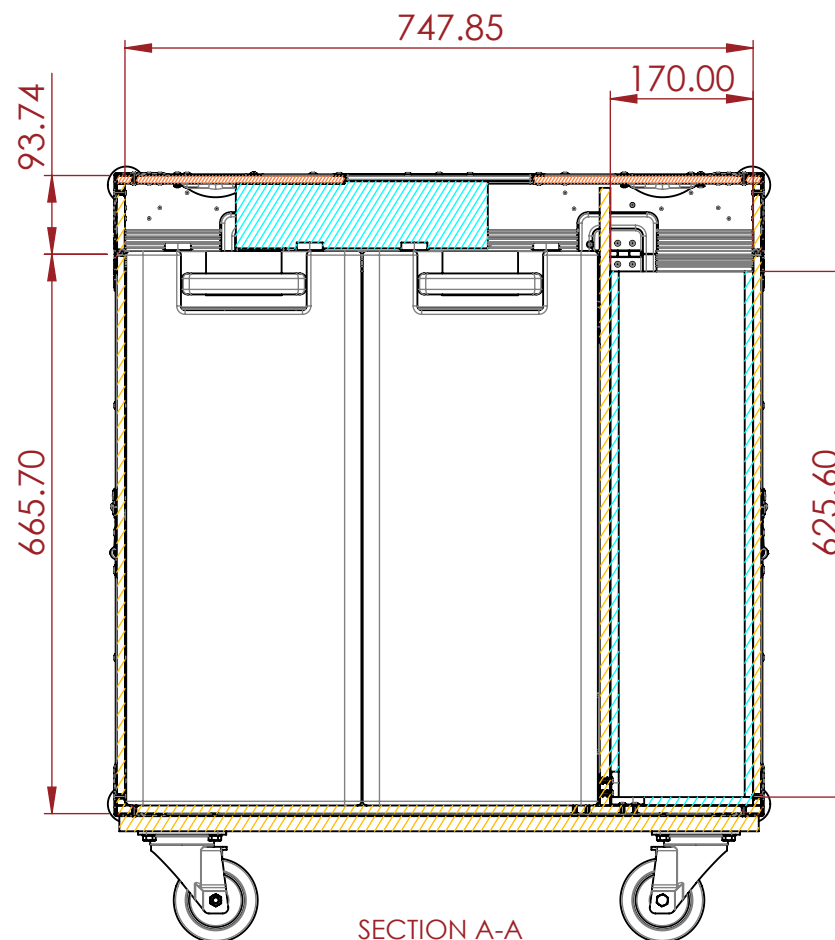
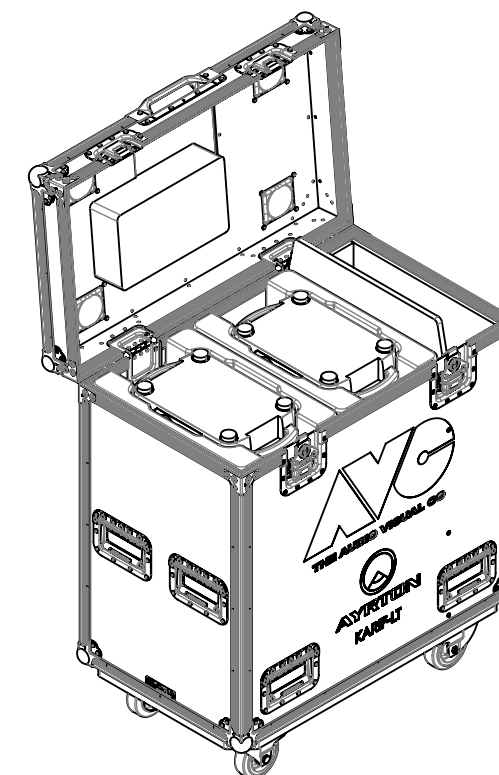


SECTION B-B



SECTION A-A



NOTES:

REV	DESCRIPTION	DATE
0	ORIGINAL ISSUE	10/31/2022

ESTIMATED WEIGHT:

104.22 kg

QUANTITY:

1

ITEM CODE:

LXMH-AYTN-KRFLT-AVC

DRAWN BY:

HA

CHECKED BY:

AS

SCALE:

NTS



ADD : 45/7-9 Percy St, Auburn,  
NSW 2144, Australia  
PH : 02 9188 6801  
MAIL : sales@armorcases.com.au  
WEB : www.armorcases.com.au