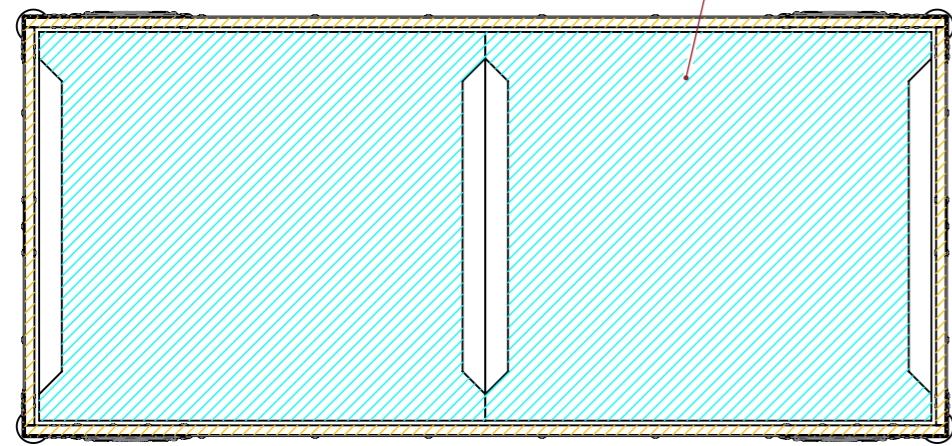
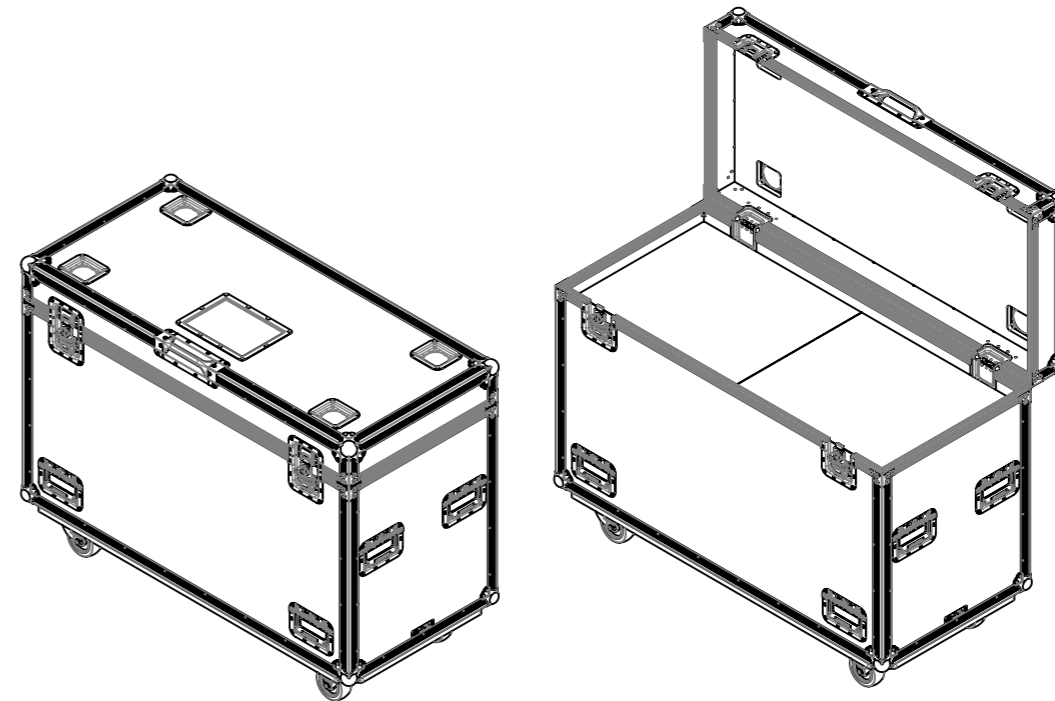


SECTION A-A



SECTION B-B



NOTES:

REV	DESCRIPTION	DATE
0	ORIGINAL ISSUE	10/31/2022

ESTIMATED WEIGHT (CASE ONLY):

56.60 KG

QUANTITY:

1

ITEM CODE:

LXMH-CPKY-SHARPY

DRAWN BY:

KI

CHECKED BY:

AS

SCALE:

NTS



MAIL : [sales@armorcases.com.au](mailto:sales@armorcases.com.au)  
 WEB : [www.armorcases.com.au](http://www.armorcases.com.au)