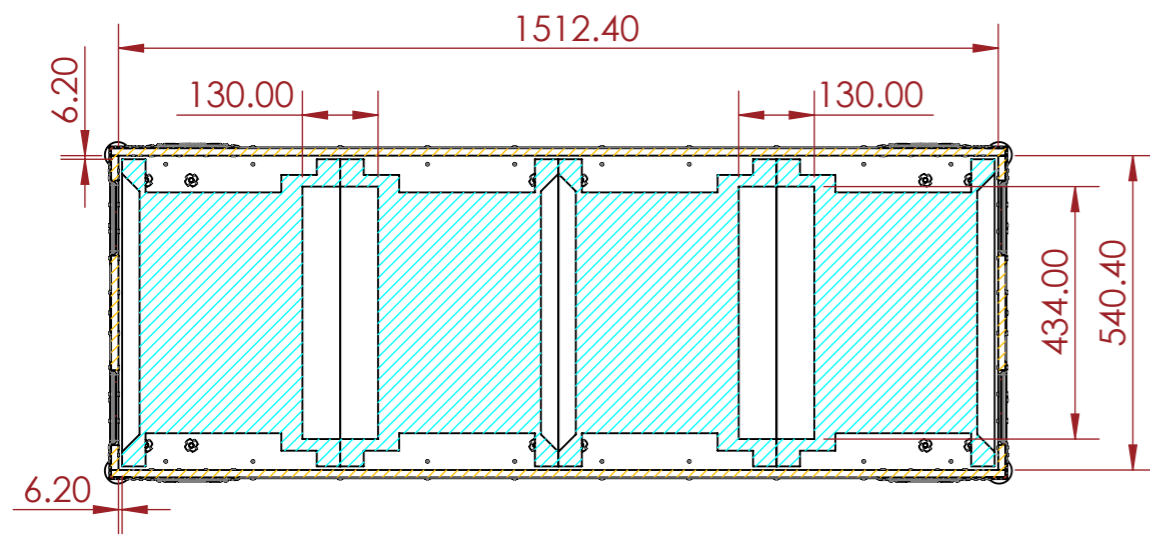
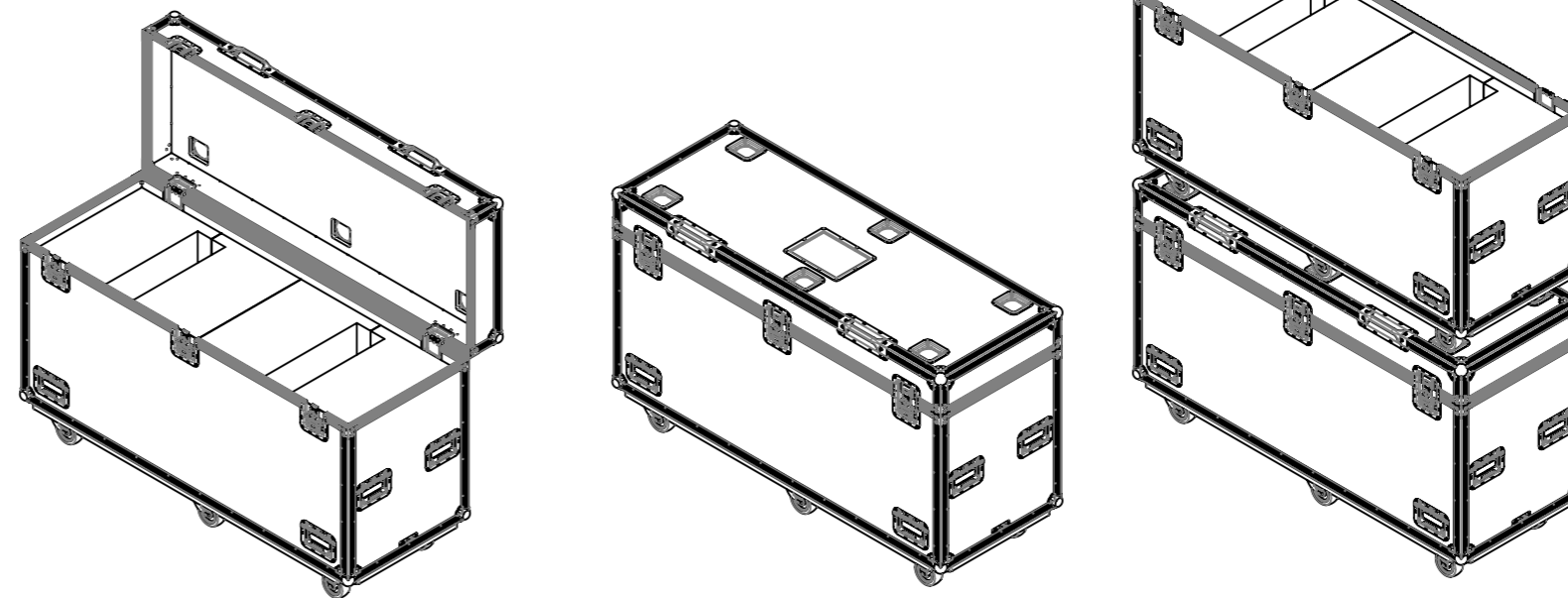


SECTION C-C
SCALE 1 : 13



SECTION D-D
SCALE 1 : 13



NOTES:

| REV | DESCRIPTION | DATE |
|-----|----------------|------------|
| 0 | ORIGINAL ISSUE | 10/31/2022 |
| | | |
| | | |
| | | |
| | | |
| | | |
| | | |
| | | |
| | | |

ESTIMATED WEIGHT (CASE ONLY):

71.90 KG

QUANTITY:

1

ITEM CODE:

LXMH-HE-LS

DRAWN BY:

KI

CHECKED BY:

AS

SCALE:

NTS



ADD : 45/7-9 Percy St, Auburn,
NSW 2144, Australia
PH : 02 9188 6801
MAIL : sales@armorcases.com.au
WEB : www.armorcases.com.au