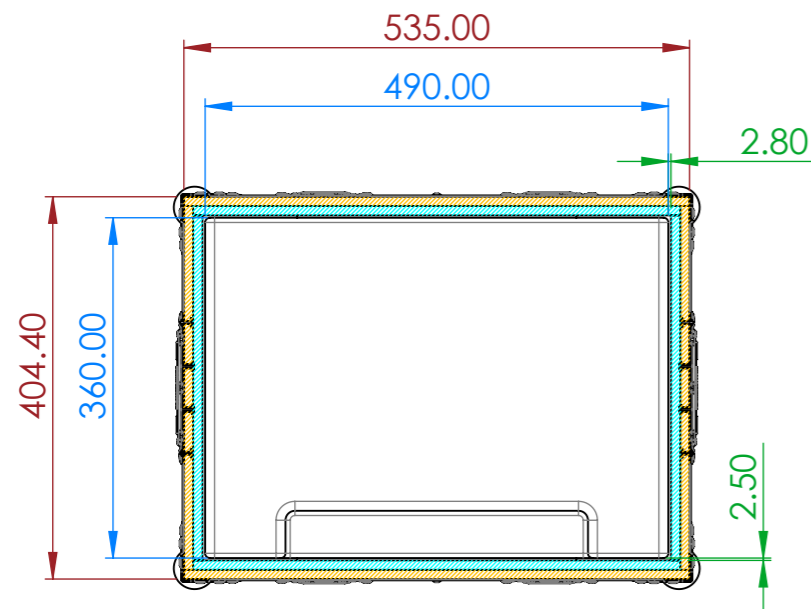


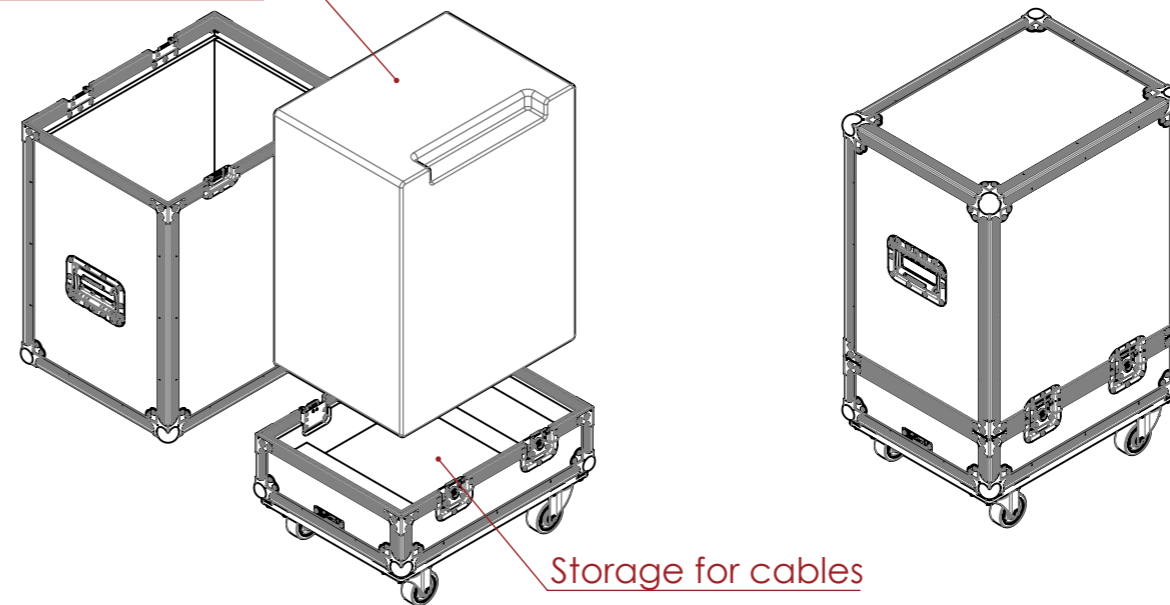
SECTION A-A



SECTION B-B

- CASE EXTERNAL DIMENSIONS
- INTERNAL DIMENSIONS AND TOLERANCES
- PRODUCT DIMENSOIN

KATANA-210 BASS



Storage for cables

NOTES:

REV	DESCRIPTION	DATE
0	ORIGINAL ISSUE	10/31/2022

ESTIMATED WEIGHT (CASE ONLY):

22.45 KG

QUANTITY:

1

ITEM CODE:

AMP-BOSS-KATANA210

DRAWN BY:

HA

CHECKED BY:

AS

SCALE:

NTS



MAIL : [sales@armorcases.com.au](mailto:sales@armorcases.com.au)  
 WEB : [www.armorcases.com.au](http://www.armorcases.com.au)