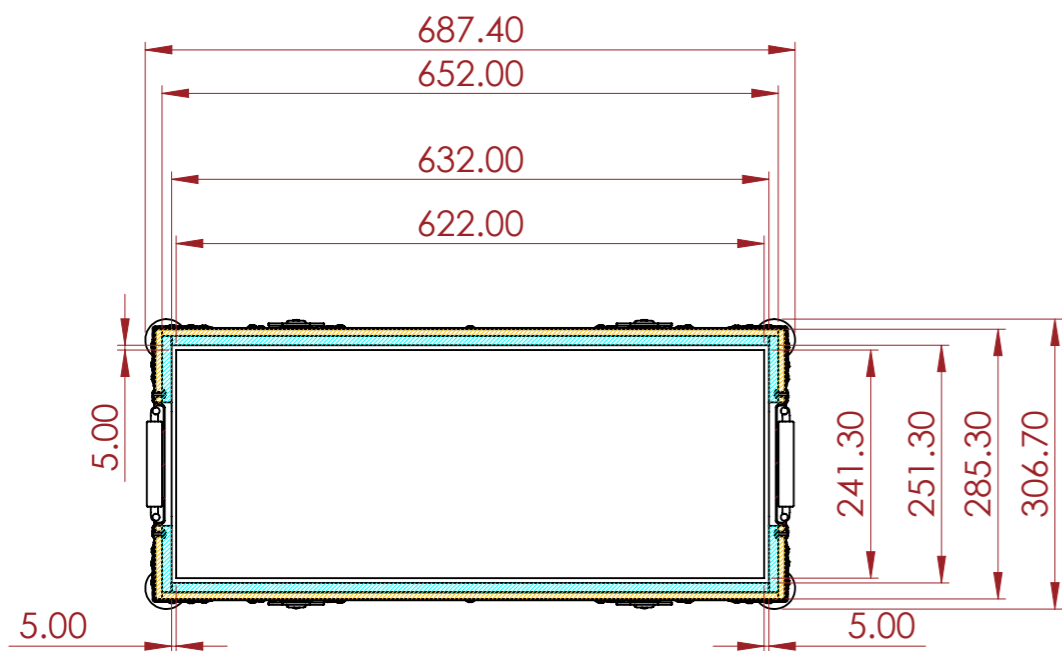
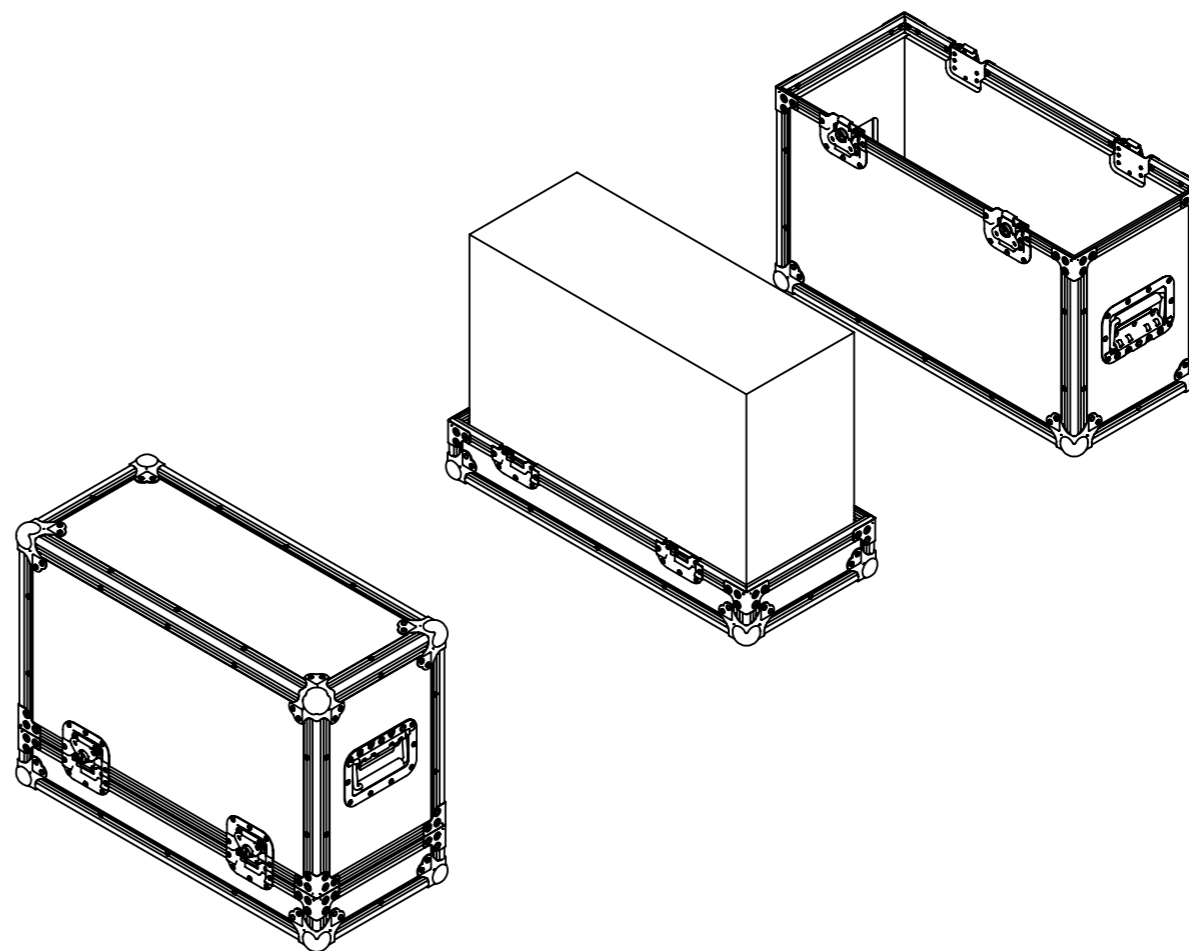


SECTION E-E



SECTION G-G



NOTES:

REV	DESCRIPTION	DATE
0	ORIGINAL ISSUE	10/31/2022

ESTIMATED WEIGHT (CASE ONLY):

14.68 KG

QUANTITY:

1

ITEM CODE:

AMP-FNDR-65DR-R

DRAWN BY:

HA

CHECKED BY:

AS

SCALE:

NTS



ADD : 45/7-9 Percy St, Auburn,

NSW 2144, Australia

PH : 02 9188 6801

MAIL : sales@armorcases.com.au

WEB : www.armorcases.com.au