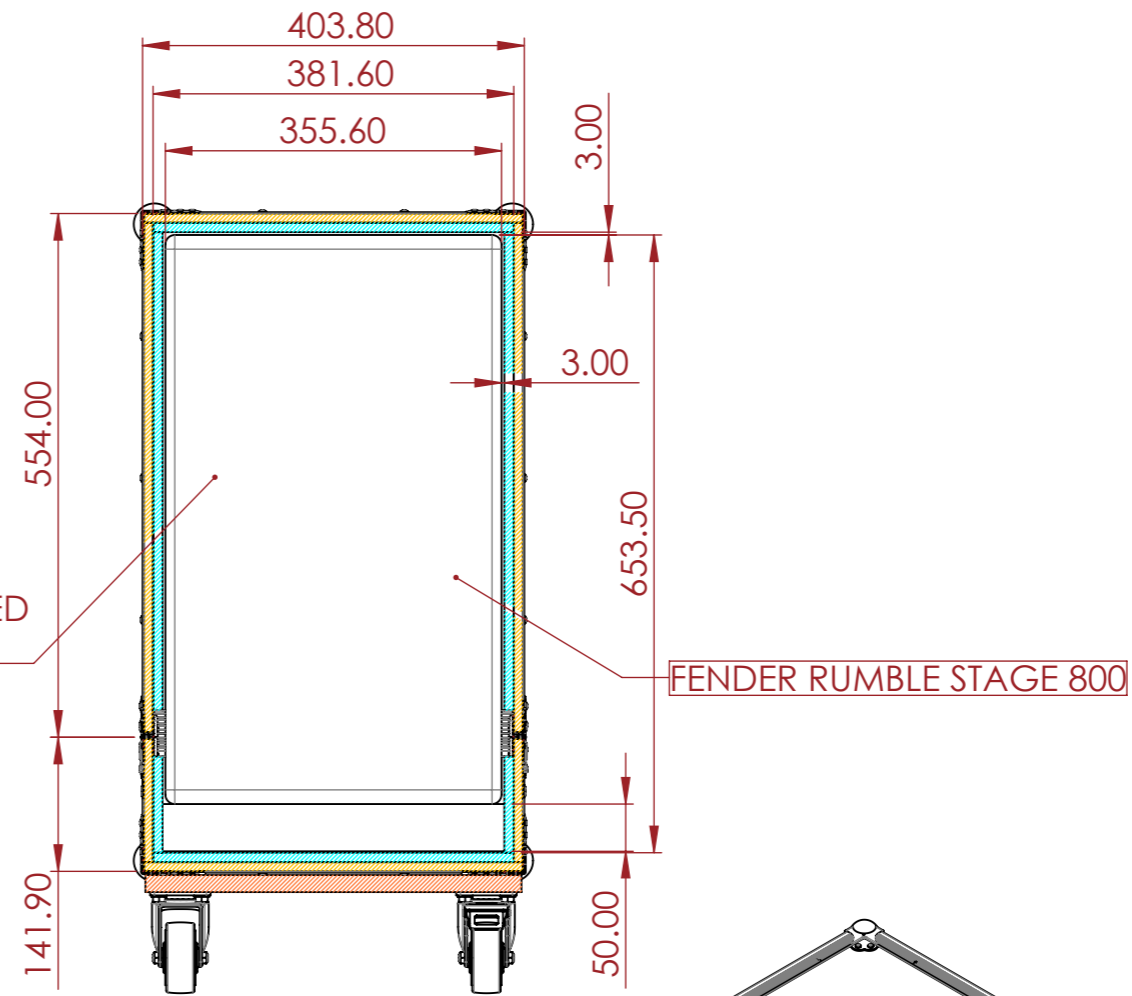
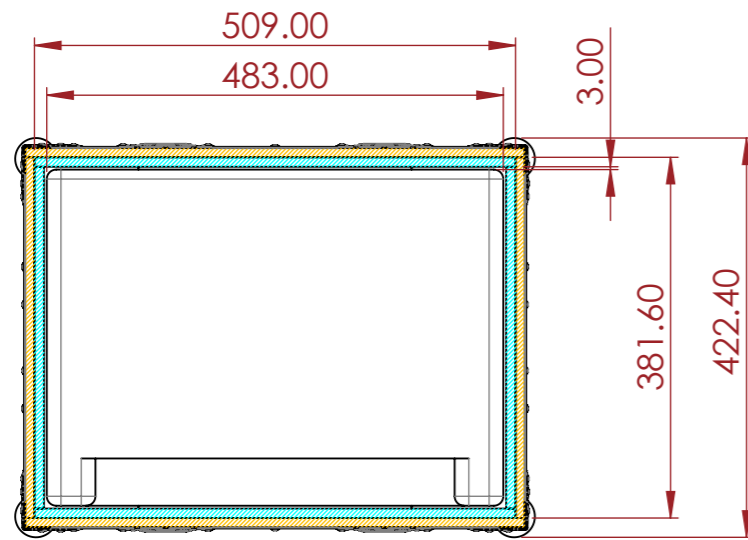


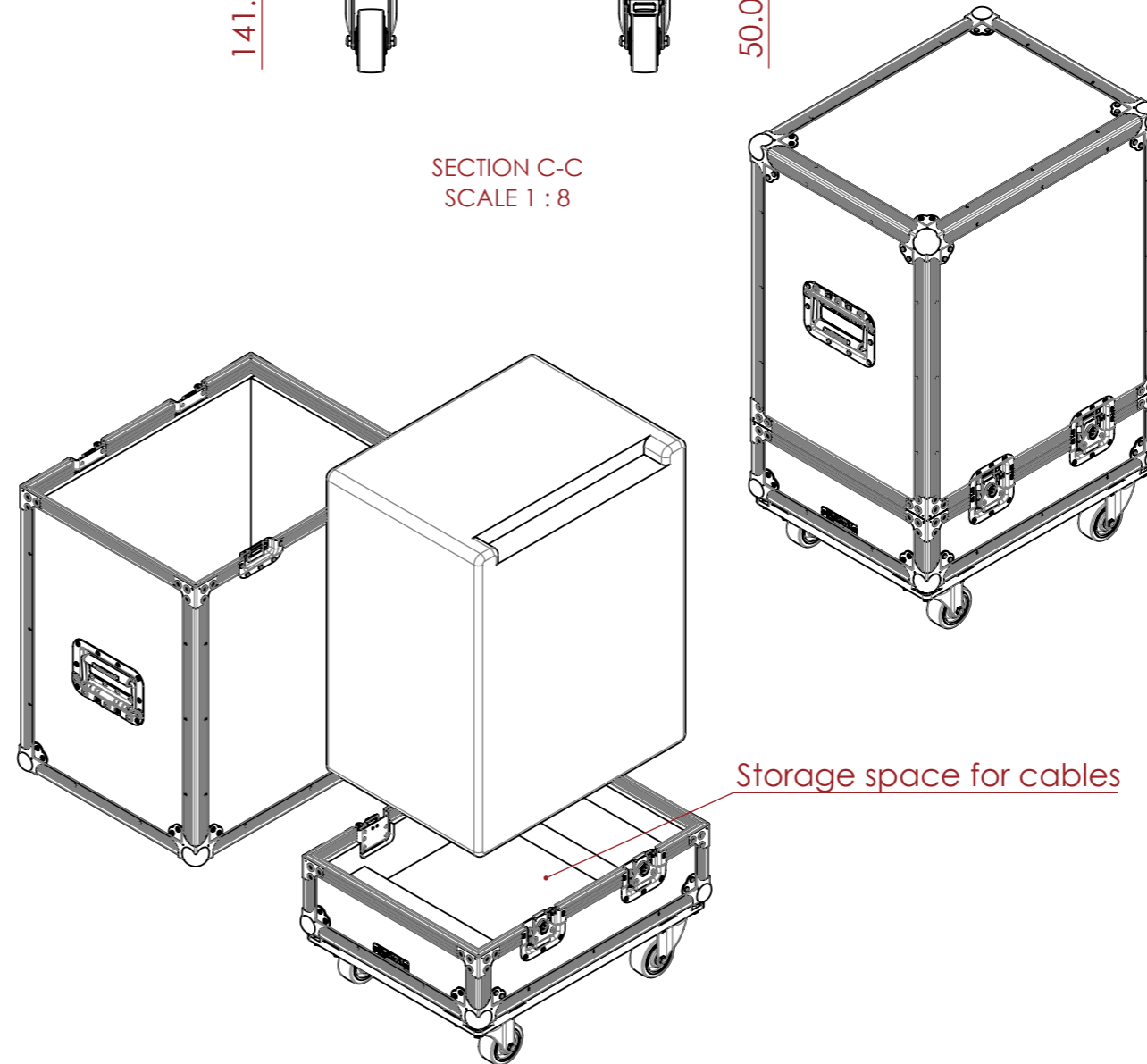
PRODUCT IS NOT INCLUDED WITH THE CASE



SECTION C-C  
SCALE 1 : 8



SECTION B-B



NOTES:

REV	DESCRIPTION	DATE
0	ORIGINAL ISSUE	10/31/2022

ESTIMATED WEIGHT (CASE ONLY):

22.01 KG

QUANTITY:

1

ITEM CODE:

AMP-FNDR-RS800

DRAWN BY:

HA

CHECKED BY:

AS

SCALE:

NTS



MAIL : [sales@armorcases.com.au](mailto:sales@armorcases.com.au)  
 WEB : [www.armorcases.com.au](http://www.armorcases.com.au)