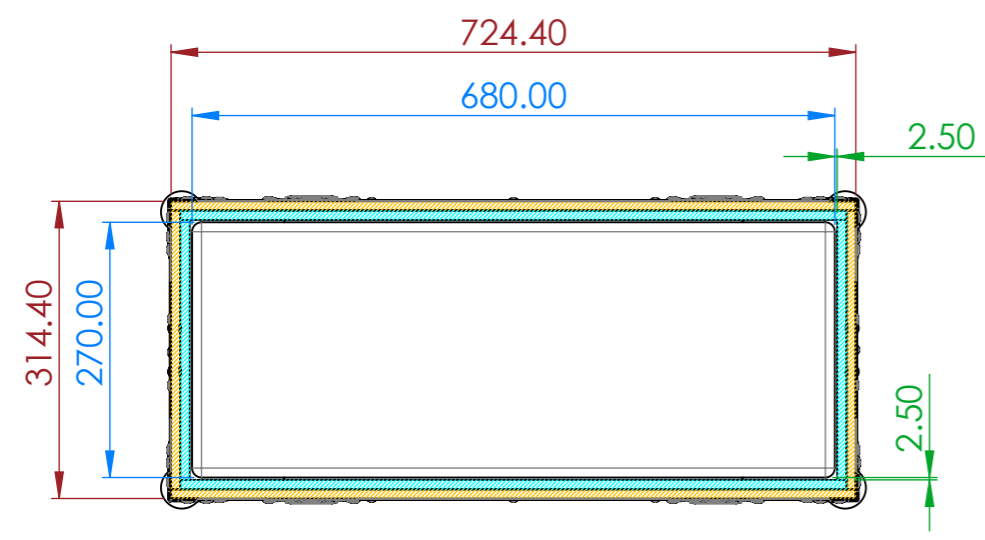


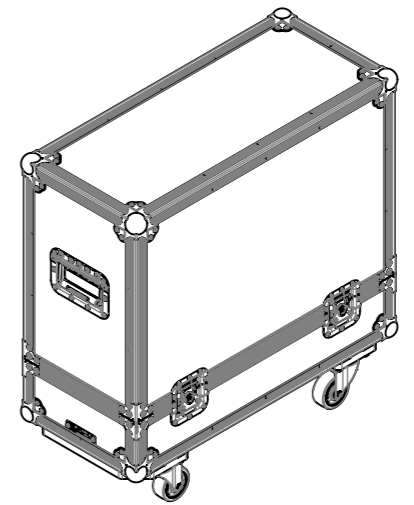
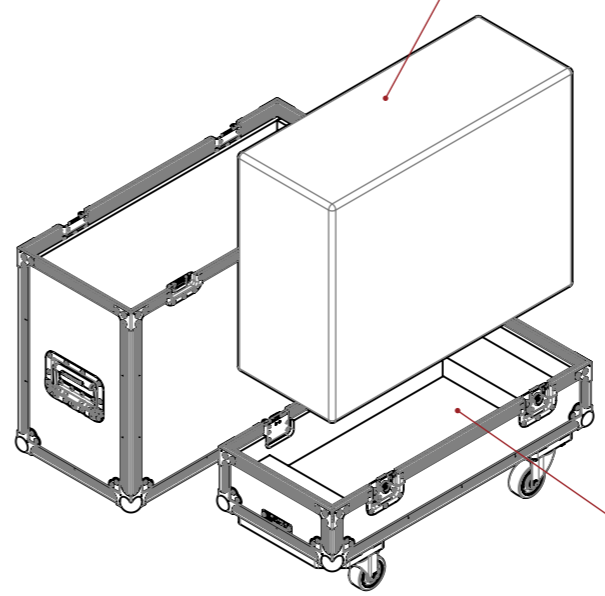
SECTION A-A



SECTION B-B

- ▨ CASE EXTERNAL DIMENSIONS
- ▨ INTERNAL DIMENSIONS AND TOLERANCES
- ▨ PRODUCT DIMENSOIN

Fender Tonemaster Twin Reverb



Storage for cables

NOTES:

REV	DESCRIPTION	DATE
0	ORIGINAL ISSUE	10/31/2022

ESTIMATED WEIGHT (CASE ONLY):

20.92 KG

QUANTITY:

1

ITEM CODE:

AMP-FNDR-TMTR

DRAWN BY:

HA

CHECKED BY:

AS

SCALE:

NTS



MAIL : sales@armorcases.com.au
 WEB : www.armorcases.com.au