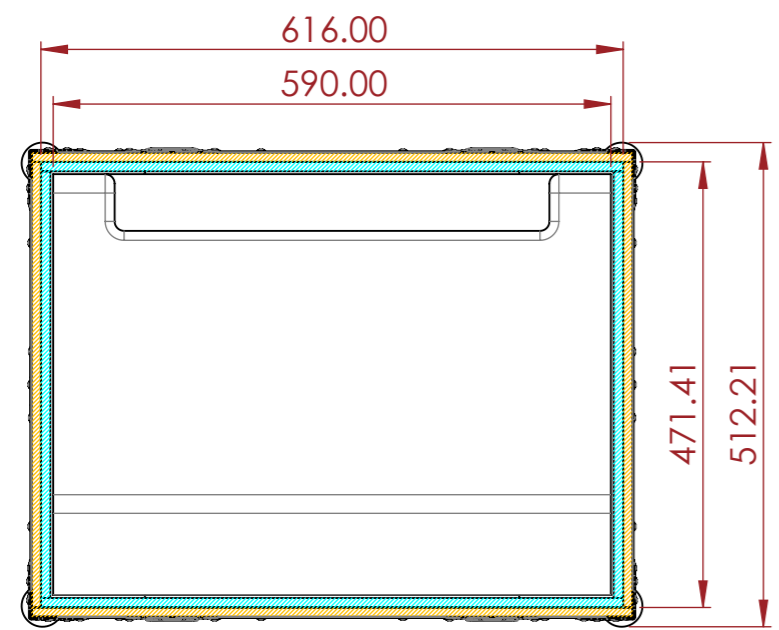
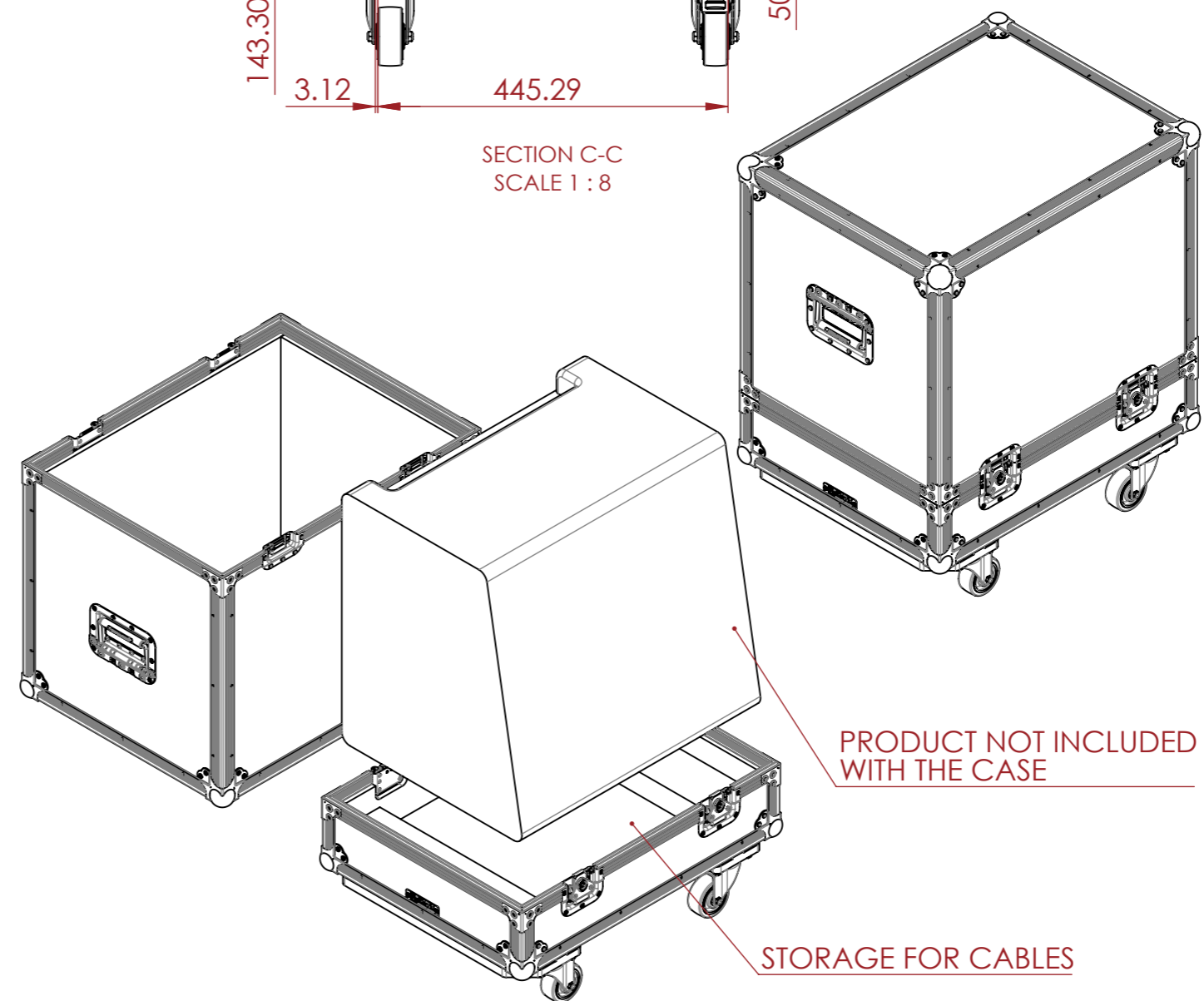


SECTION C-C
SCALE 1 : 8



SECTION B-B



NOTES:

REV	DESCRIPTION	DATE
0	ORIGINAL ISSUE	10/31/2022

ESTIMATED WEIGHT (CASE ONLY):
23.89 KG

QUANTITY:
1

ITEM CODE:
AMP-ROLAND-KC600

DRAWN BY: **HA** CHECKED BY: **AS**

SCALE:
NTS



MAIL : sales@armorcases.com.au
WEB : www.armorcases.com.au