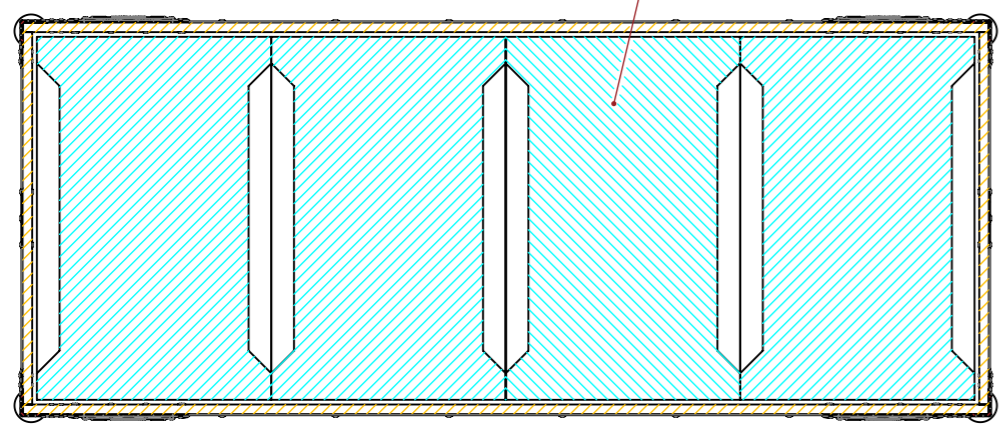
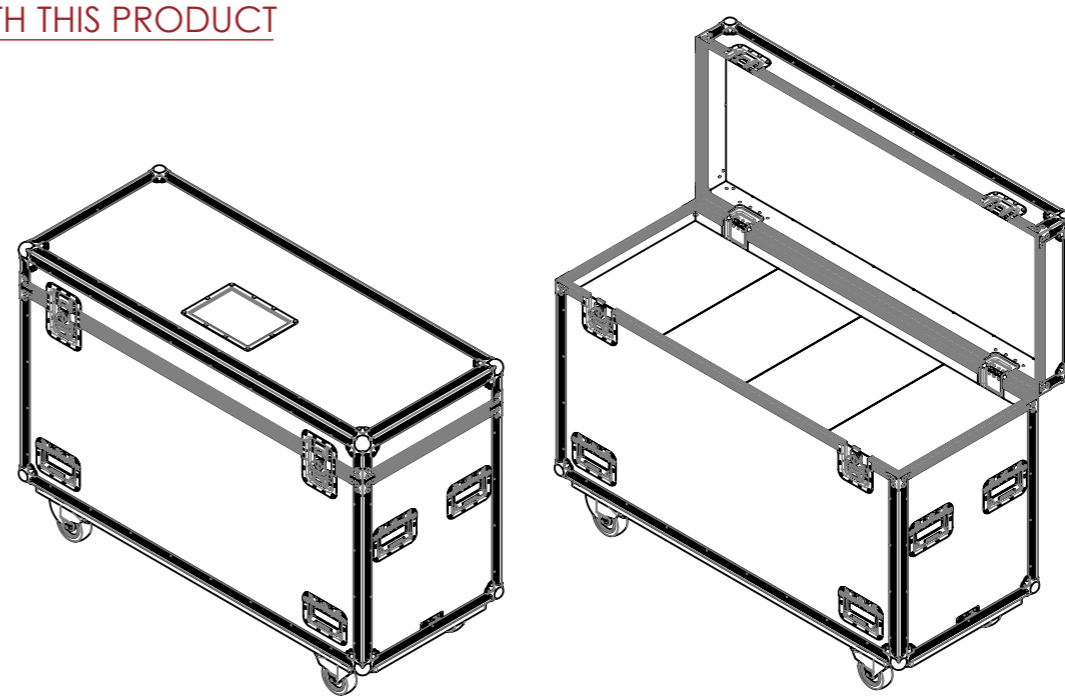


SECTION A-A

LIGHT FOAM SHELL IS NOT INCLUDED WITH THIS PRODUCT



SECTION B-B



NOTES:

REV	DESCRIPTION	DATE
0	ORIGINAL ISSUE	10/31/2022

ESTIMATED WEIGHT (CASE ONLY):
55.60 KG

QUANTITY:
1

ITEM CODE:
LXMH-MARTIN-APXL

DRAWN BY: KI CHECKED BY: AS

SCALE:
NTS



MAIL : sales@armorcases.com.au
WEB : www.armorcases.com.au