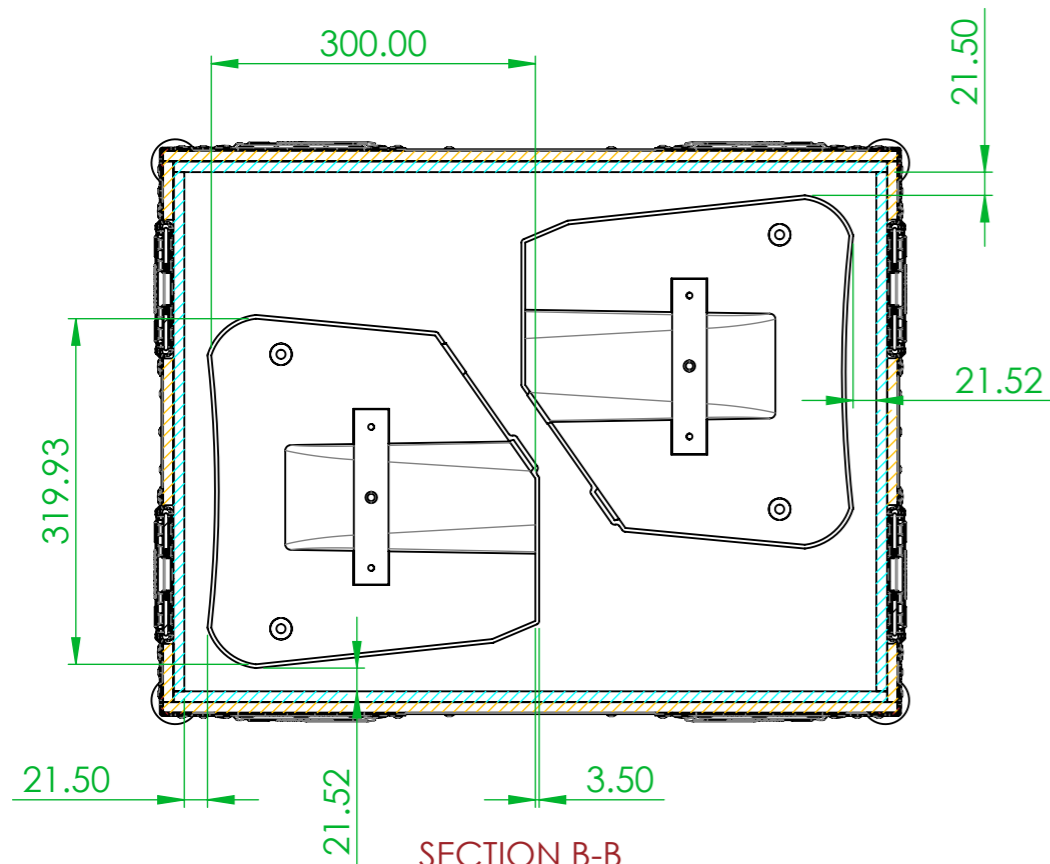
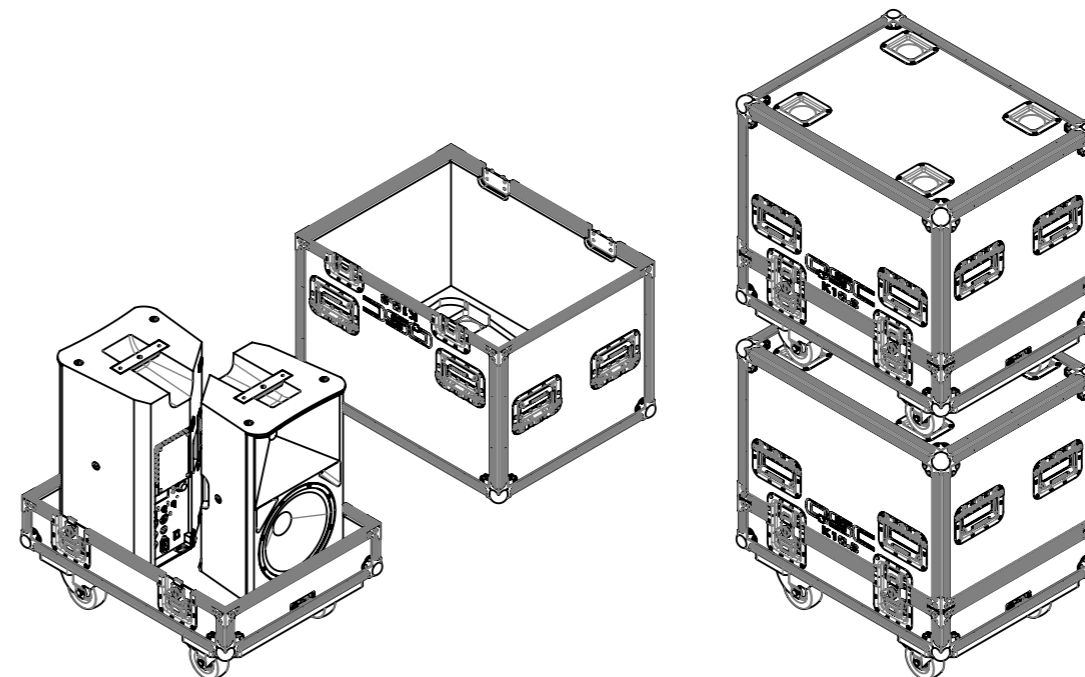


SECTION A-A
SCALE 1 : 7



SECTION B-B
SCALE 1 : 7



NOTES:

REV	DESCRIPTION	DATE
0	ORIGINAL ISSUE	10/31/2022

ESTIMATED WEIGHT (CASE ONLY):

29.59 KG

QUANTITY:

1

ITEM CODE:

SPK-QSC-K102

DRAWN BY:

HA

CHECKED BY:

AS

SCALE:

NTS



MAIL : sales@armorcases.com.au
 WEB : www.armorcases.com.au