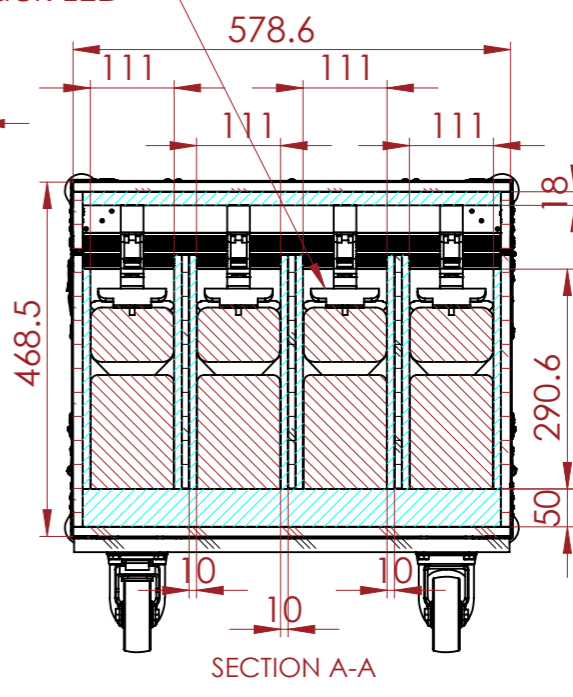
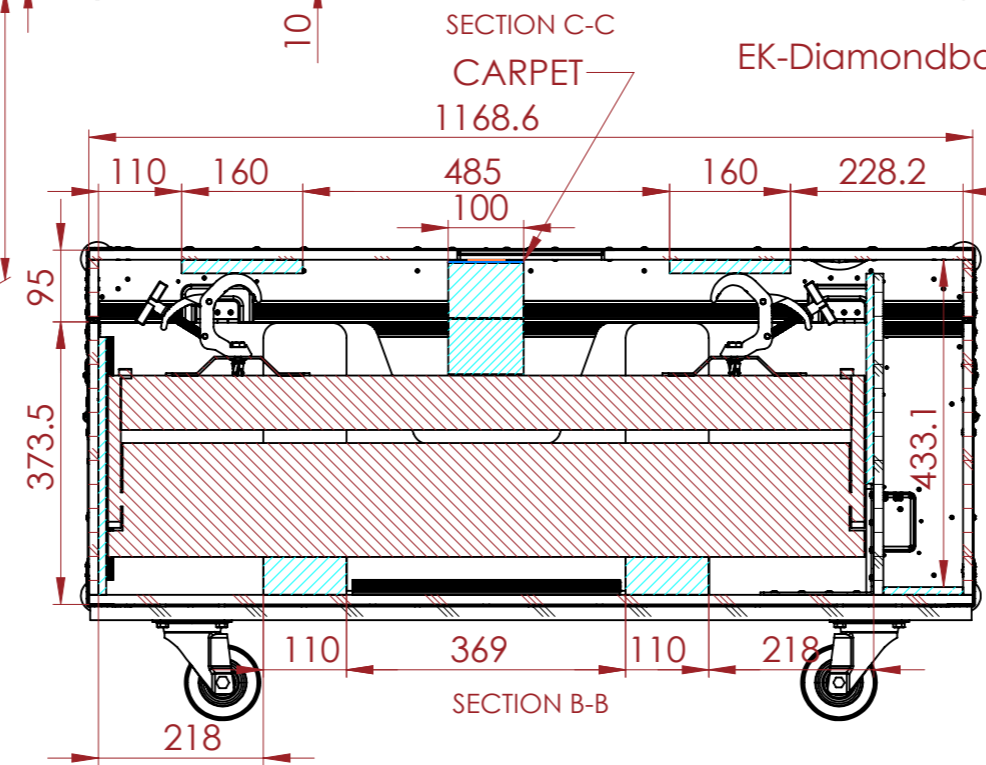
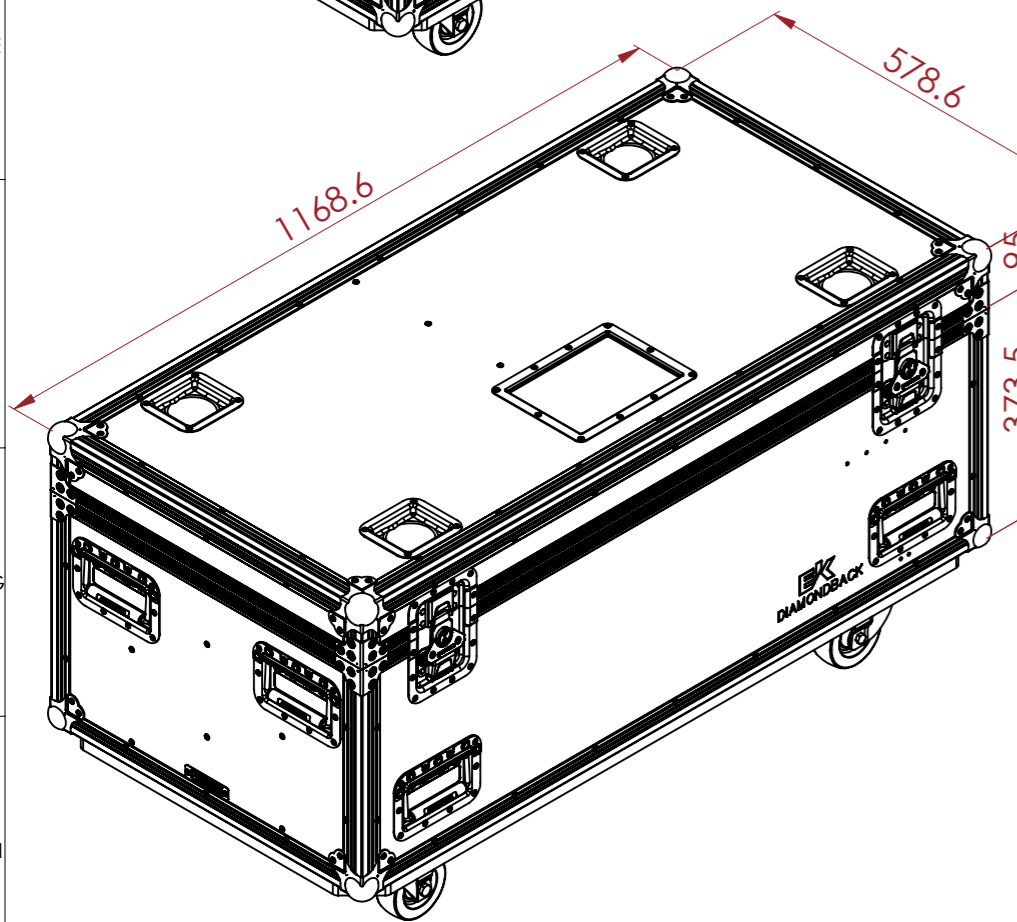


 EVA FOAM  
 CARPET



NOTES:

REV	DESCRIPTION	DATE

ESTIMATED WEIGHT:  
57.61 KG

QUANTITY:

ITEM CODE:  
LXBAR-EK-DB-CP

DRAWN BY: RP      CHECKED BY: AS

SCALE:  
NTS



ADD : 45/7-9 Percy St, Auburn,  
 NSW 2144, Australia  
 PH : 02 9188 6801  
 MAIL : sales@armorcases.com.au  
 WEB : www.armorcases.com.au