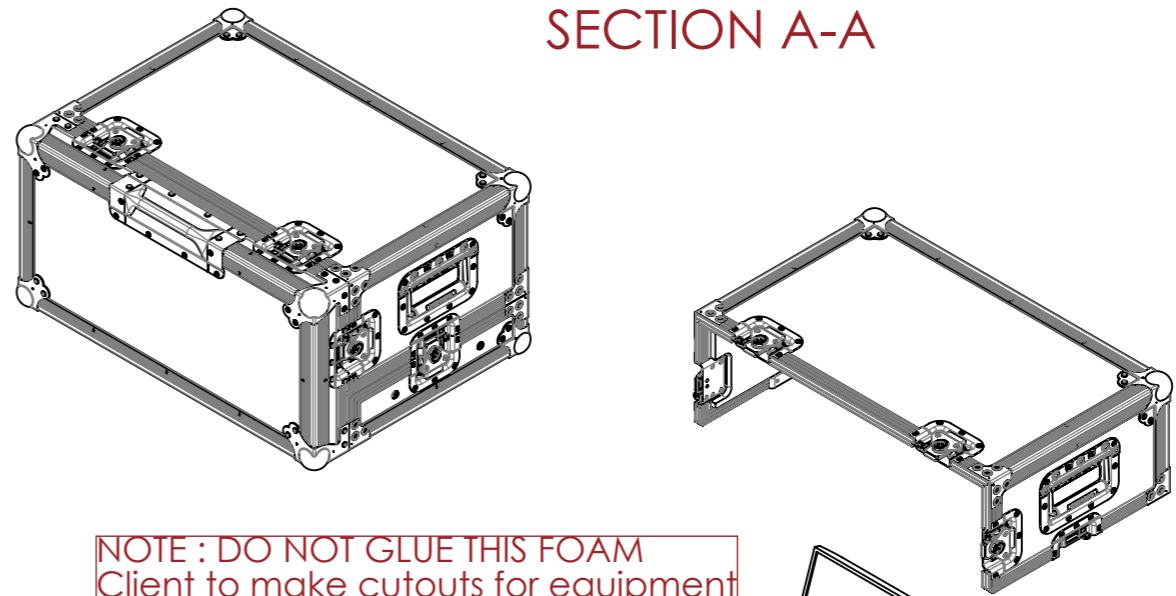


SECTION A-A

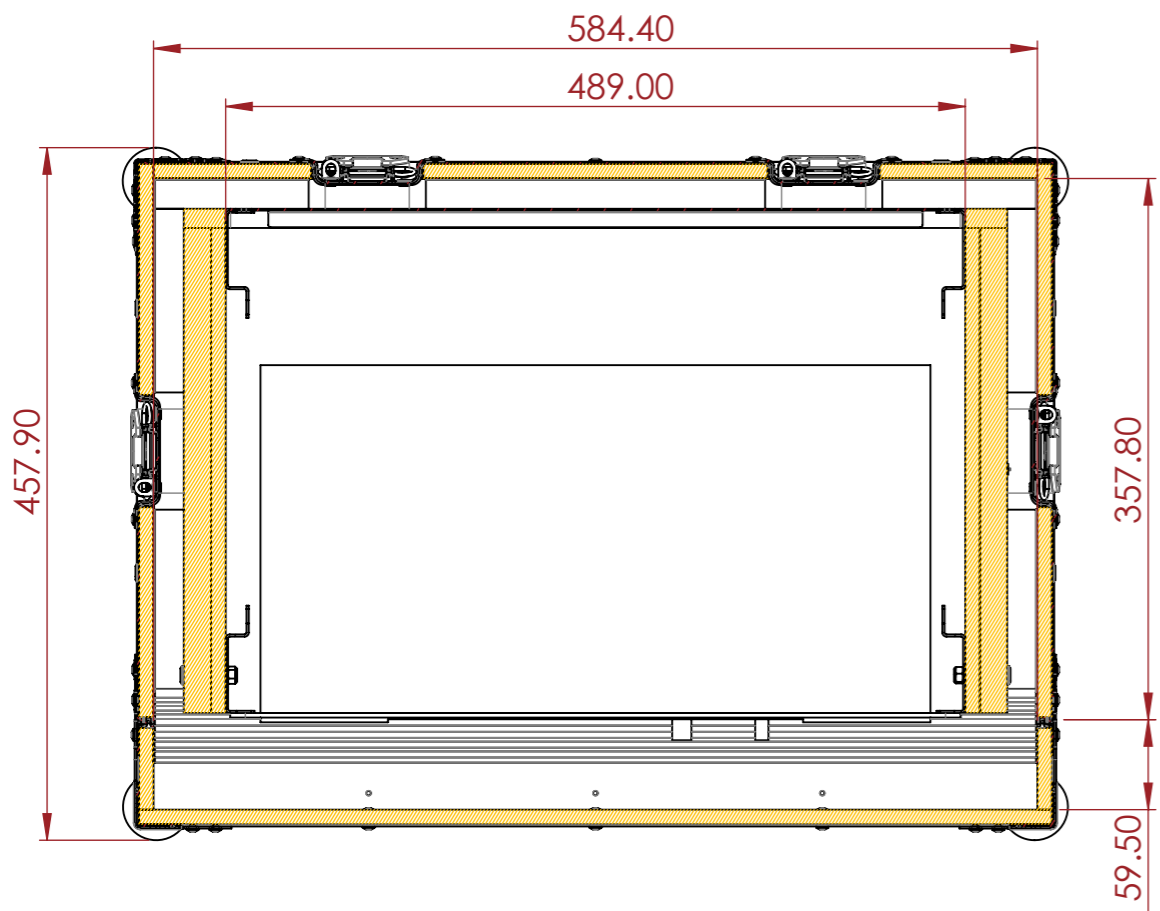


NOTE : DO NOT GLUE THIS FOAM
Client to make cutouts for equipment
on their own.

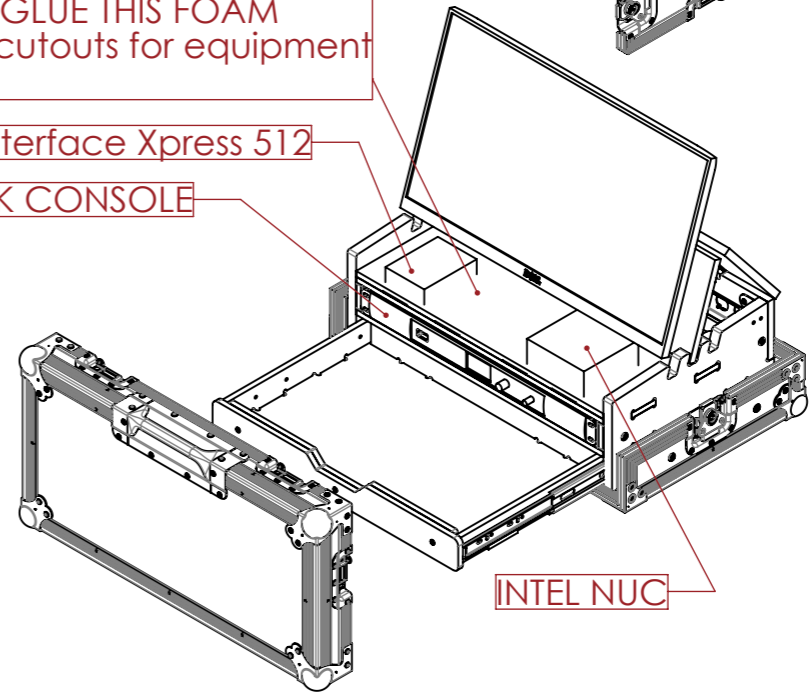
Chauvet USB DMX Interface Xpress 512

M32C RACK CONSOLE

INTEL NUC



SECTION B-B



NOTES:

| REV | DESCRIPTION | DATE |
|-----|----------------|------------|
| 0 | ORIGINAL ISSUE | 10/31/2022 |
| | | |
| | | |
| | | |
| | | |
| | | |
| | | |
| | | |
| | | |

ESTIMATED WEIGHT (CASE ONLY):

22.70 KG

QUANTITY:

1

ITEM CODE:

SWIT-ELGATO-SDXL-LF

DRAWN BY:

HA

CHECKED BY:

AS

SCALE:

NTS



ADD : 45/7-9 Percy St, Auburn,
NSW 2144, Australia
PH : 02 9188 6801
MAIL : sales@armorcases.com.au
WEB : www.armorcases.com.au