

NOTES:  
UNLESS SPECIFIED IN THE DRAWING,  
ALL PRODUCTS DISPLAYED IN THIS  
DRAWING OTHER THAN THE CASE  
ITSELF IS NOT PART OF OUR PRODUCT  
OFFERING.

- CARPET
- EVA FOAM
- PLYWOOD
- EXTERNAL DIMENSIONS
- INTERNAL DIMENSIONS
- TOLERANCES
- EQUIPMENT DIMENSIONS
- EPE 25 FOAM

REV	DESCRIPTION	DATE
0	ORIGINAL ISSUE	05/12/2023

ESTIMATED WEIGHT (CASE ONLY):  
117.74KG

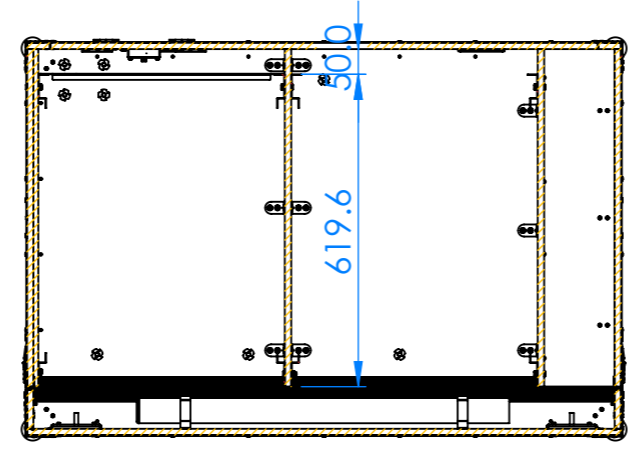
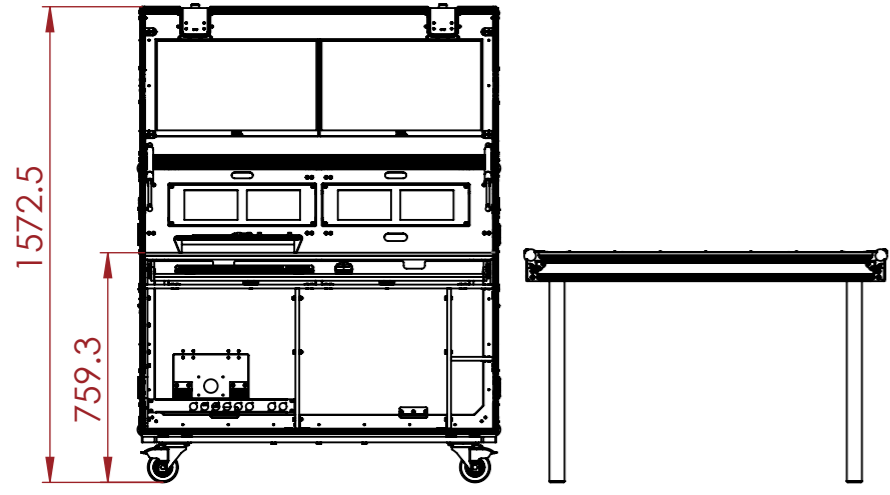
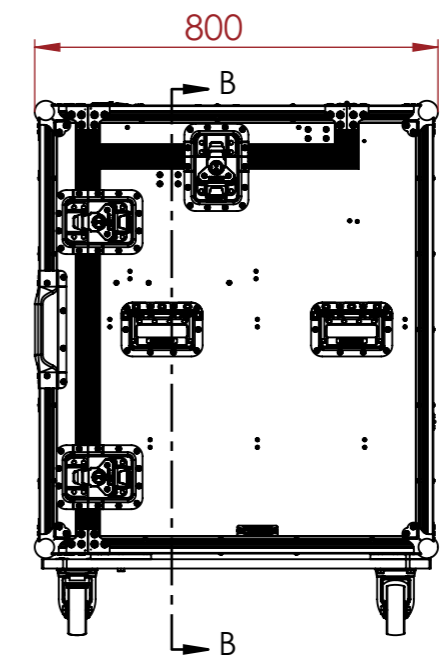
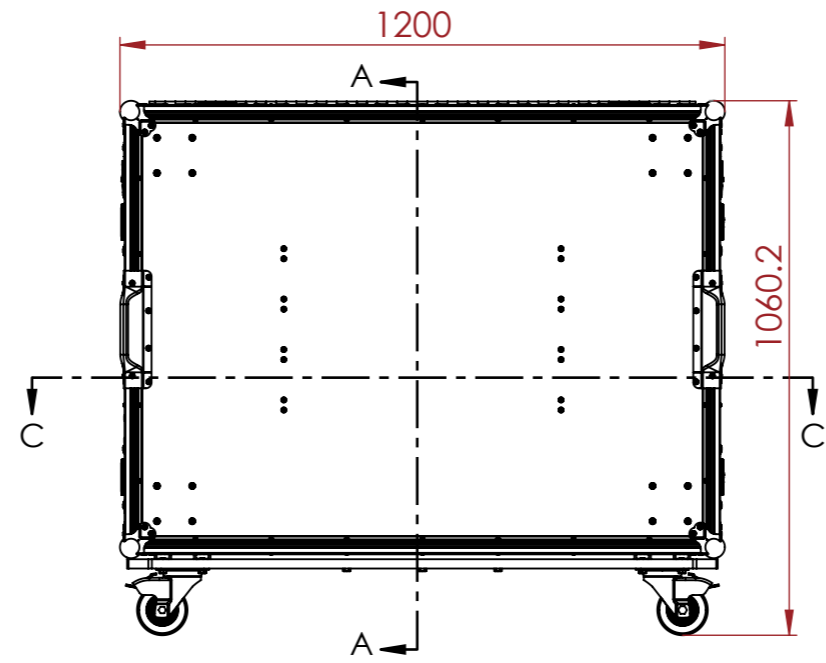
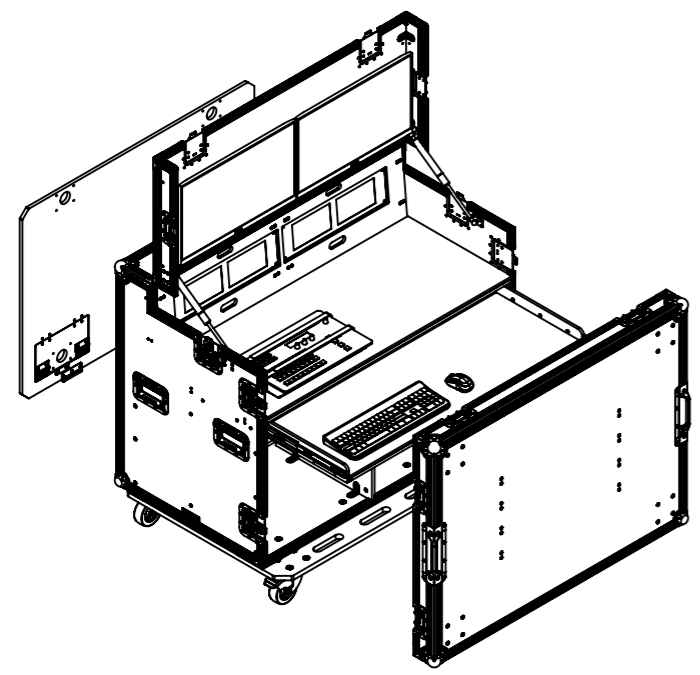
ITEM CODE:  
WS-FP2-S

DRAWN BY: RP                      CHECKED BY: AS

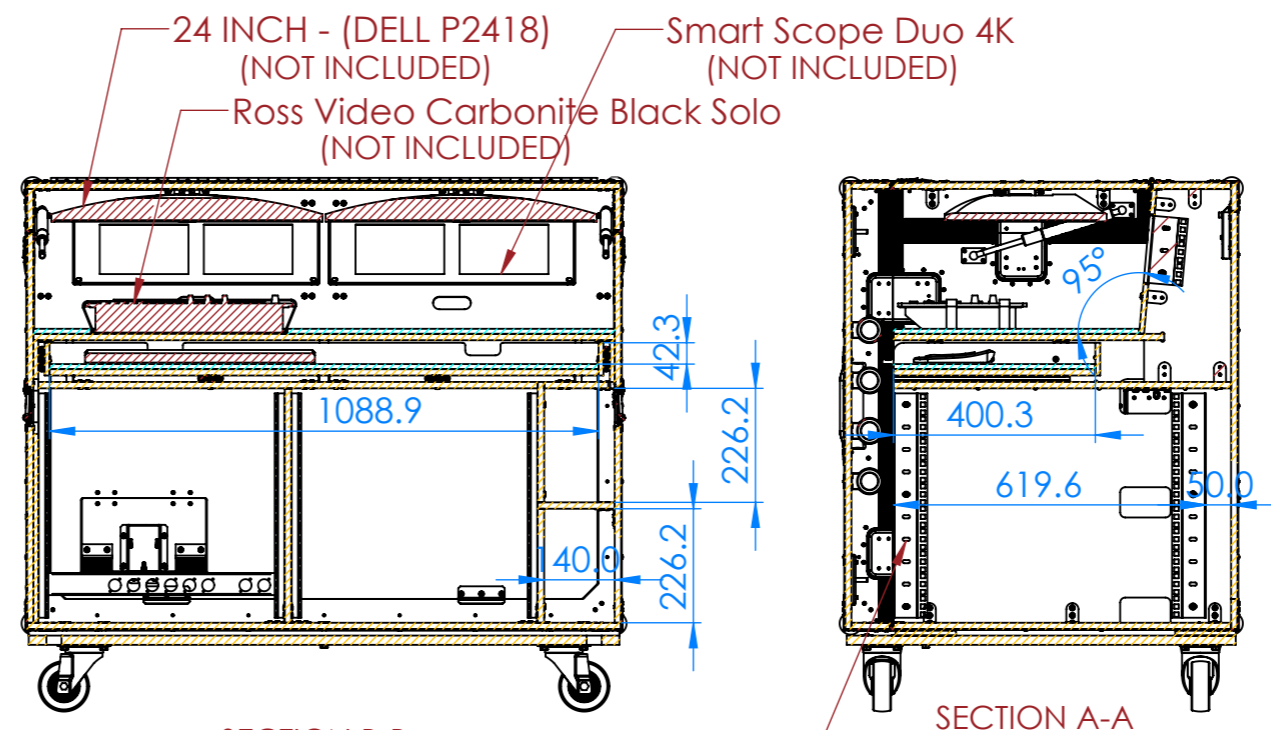
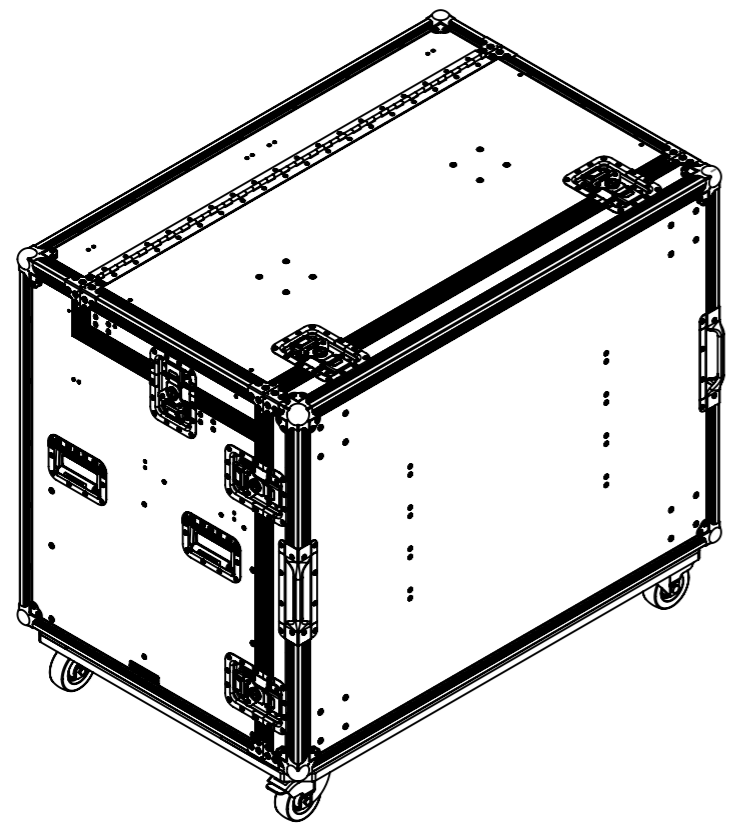
SCALE:  
NTS



MAIL : sales@armorcases.com.au  
WEB : www.armorcases.com.au



SECTION C-C



SECTION B-B

SECTION A-A

RACK STRIPS-10U