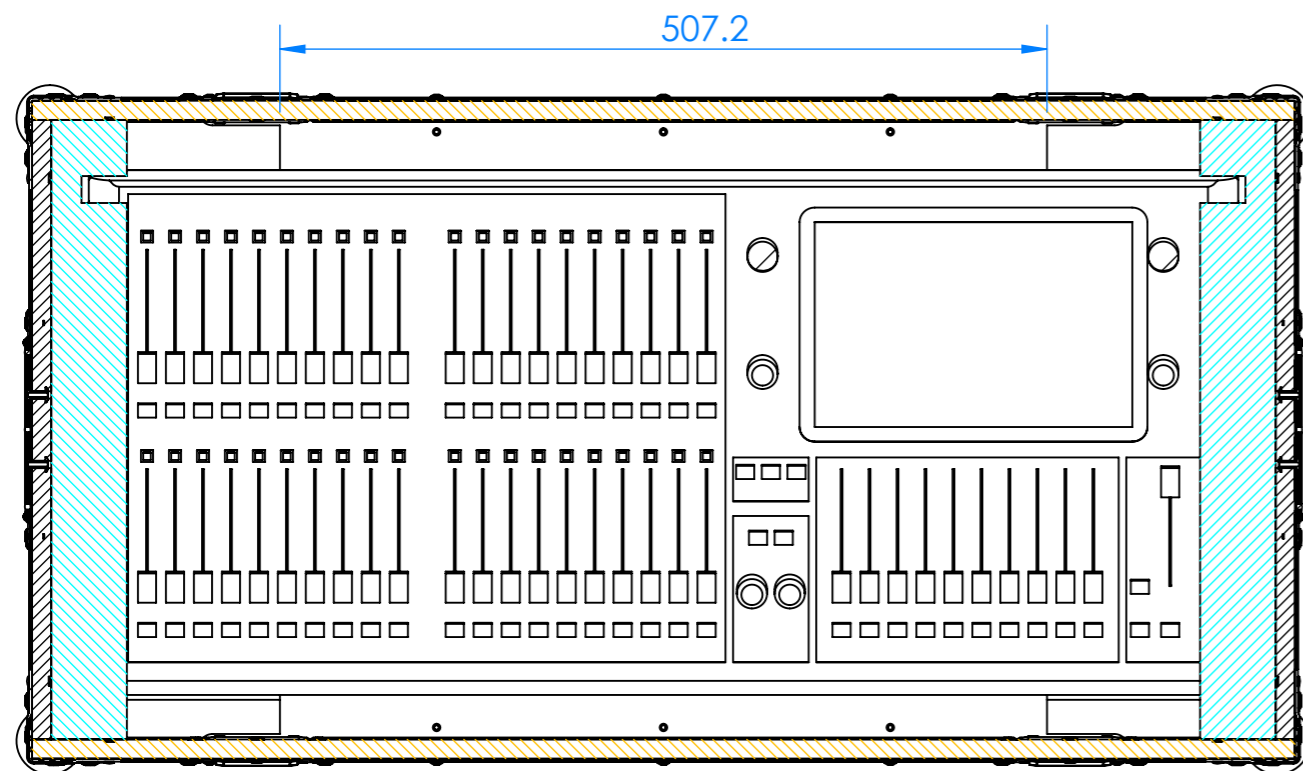
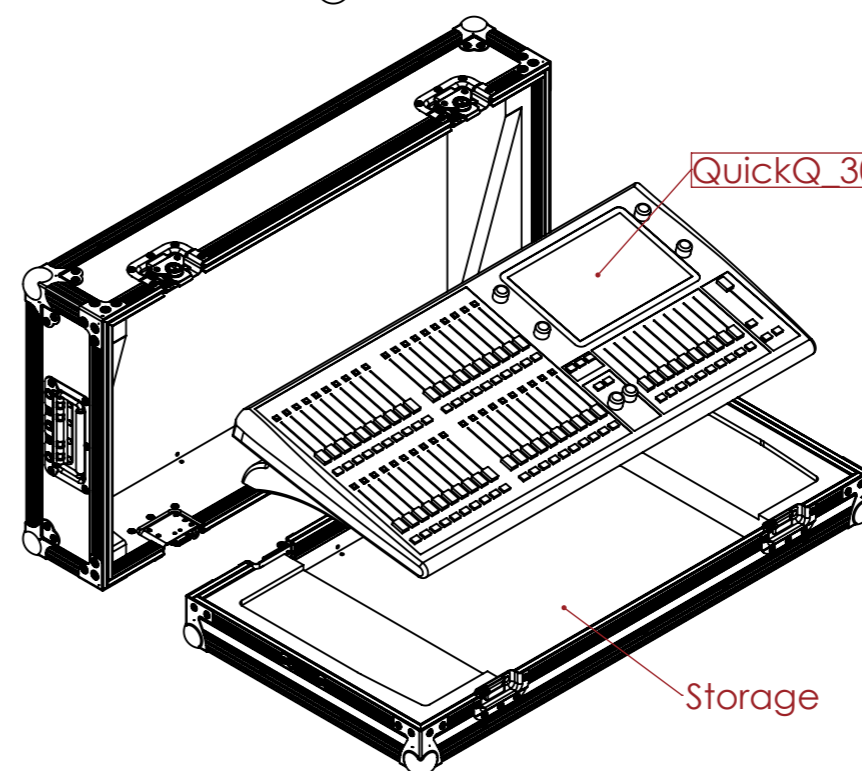
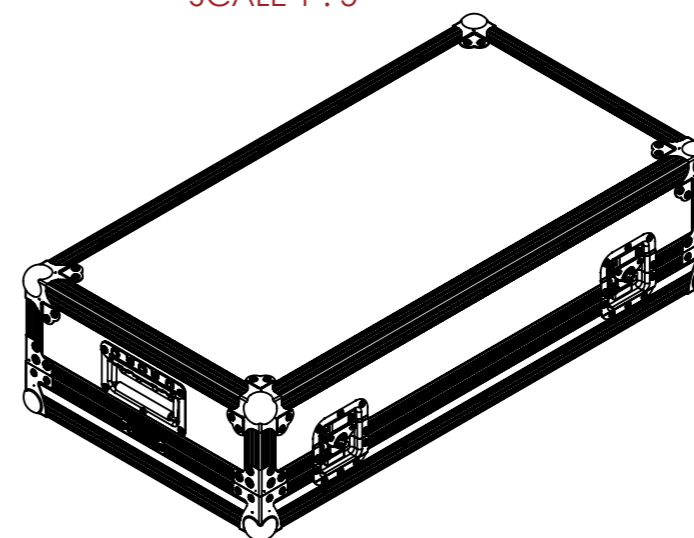


SECTION A-A  
SCALE 1 : 5



SECTION B-B  
SCALE 1 : 5



NOTES:  
UNLESS SPECIFIED IN THE DRAWING,  
ALL PRODUCTS DISPLAYED IN THIS  
DRAWING OTHER THAN THE CASE  
ITSELF IS NOT PART OF OUR PRODUCT  
OFFERING.

- CARPET
- EVA FOAM
- PLYWOOD
- EXTERNAL DIMENSIONS
- INTERNAL DIMENSIONS
- TOLERANCES
- EQUIPMENT DIMENSIONS
- EPE 25 FOAM

REV	DESCRIPTION	DATE
0	ORIGINAL ISSUE	10/31/2022

ESTIMATED WEIGHT (CASE ONLY):  
15.24 KG

ITEM CODE:  
LXCTRL-CMS-QQ30

DRAWN BY: HA      CHECKED BY: AS

SCALE:  
NTS

**ARMOR**  
BUILT TO PROTECT

MAIL : sales@armorcases.com.au  
WEB : www.armorcases.com.au