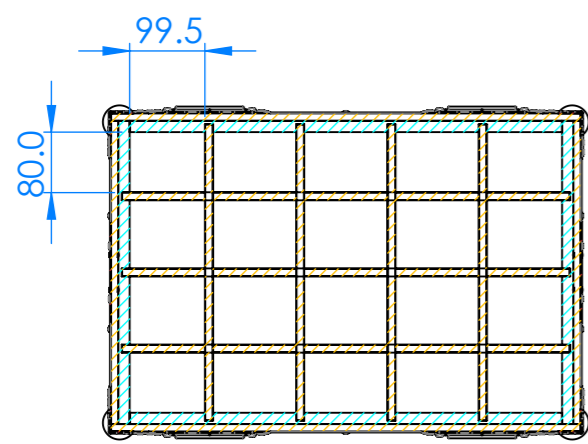
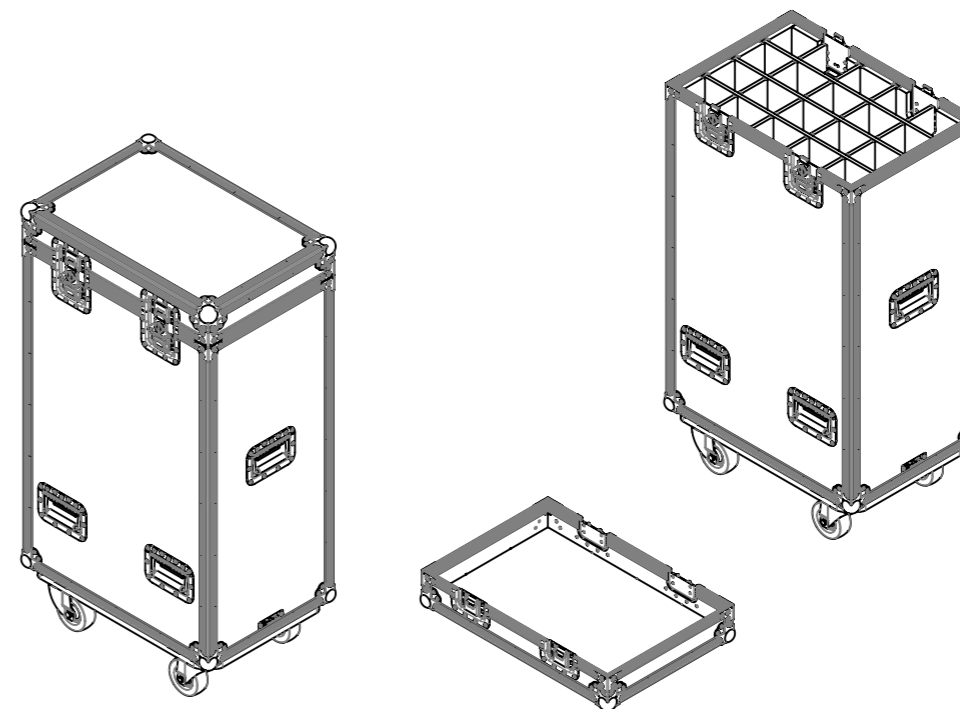


SECTION B-B



SECTION A-A



NOTES:  
UNLESS SPECIFIED IN THE DRAWING,  
ALL PRODUCTS DISPLAYED IN THIS  
DRAWING OTHER THAN THE CASE  
ITSELF IS NOT PART OF OUR PRODUCT  
OFFERING.

TEST FIT ACTUAL ITEM BEFORE  
FINISHING CASE BUILDING (REMOVE  
THIS NOTE IF THERE WERE NO ACTUAL  
ITEM TO FIT IN)

-  CARPET
-  EVA FOAM
-  PLYWOOD
-  EXTERNAL DIMENSIONS
-  INTERNAL DIMENSIONS
-  TOLERANCES
-  EQUIPMENT DIMENSIONS
-  EPE 25 FOAM

REV	DESCRIPTION	DATE
0	ORIGINAL ISSUE	10/31/2022

ESTIMATED WEIGHT (CASE ONLY):  
**53.12 KG**

ITEM CODE:  
**SLOT-MIC-KNM-985-1**

DRAWN BY: **K.I**                      CHECKED BY: **AS**

SCALE:  
**NTS**



MAIL : [sales@armorcases.com.au](mailto:sales@armorcases.com.au)  
WEB : [www.armorcases.com.au](http://www.armorcases.com.au)