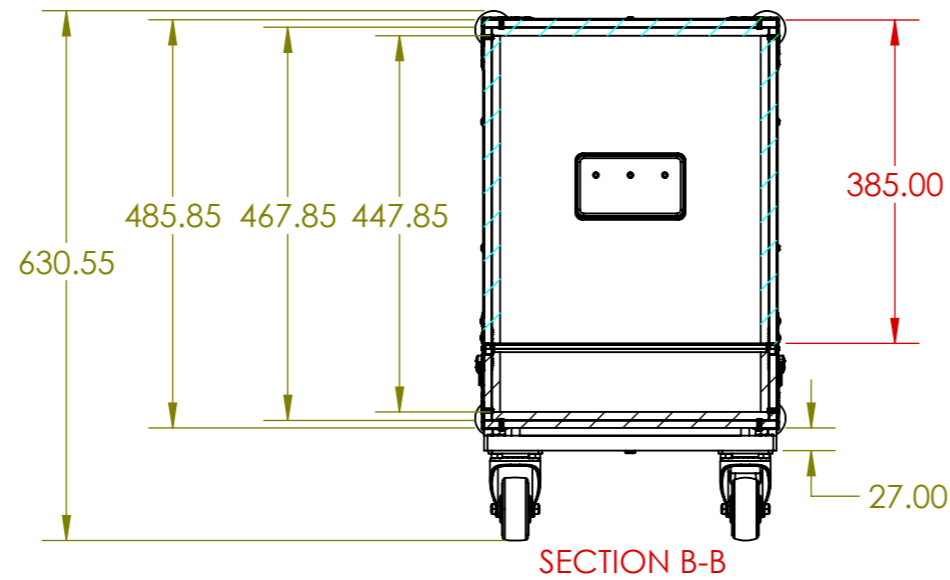
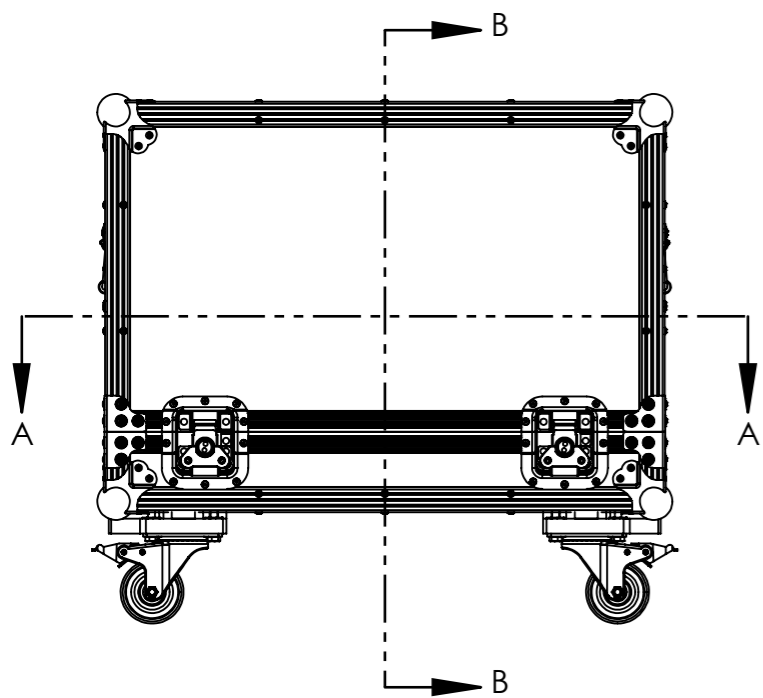
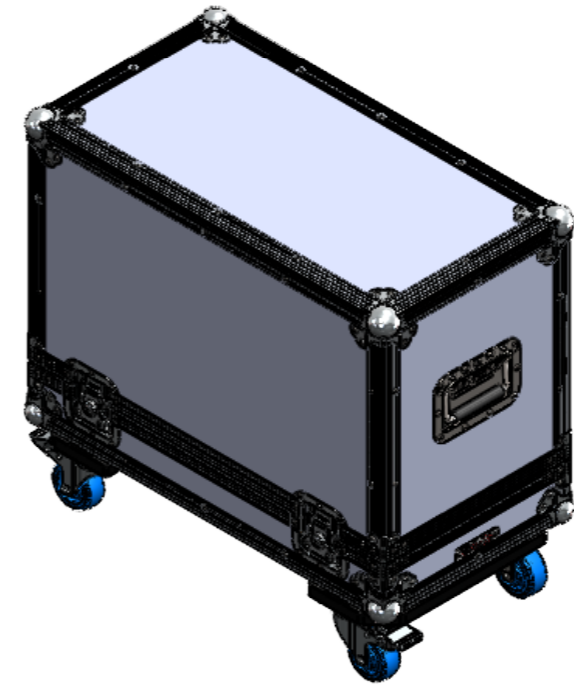
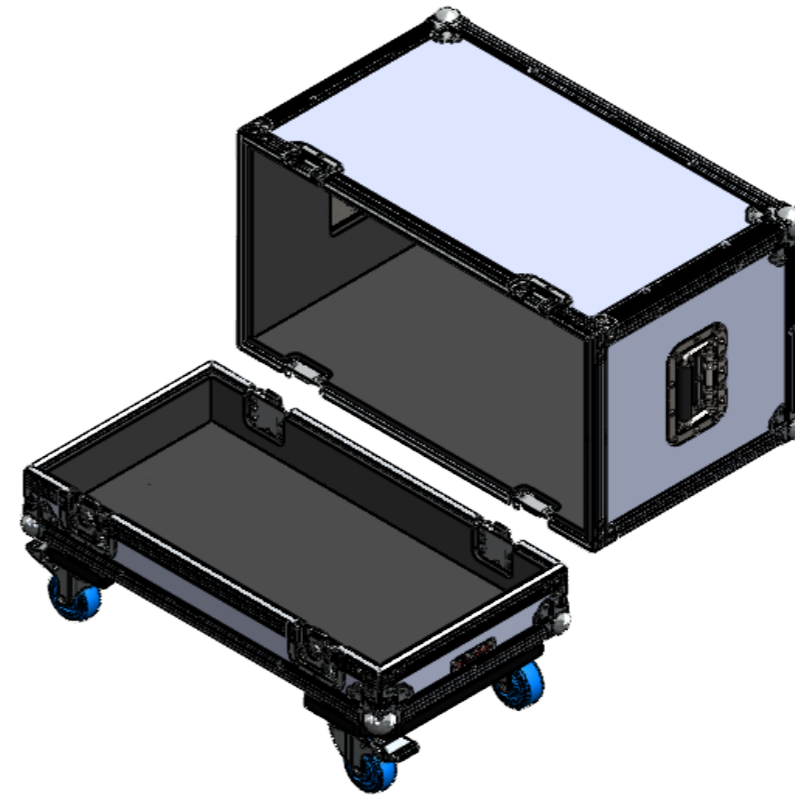
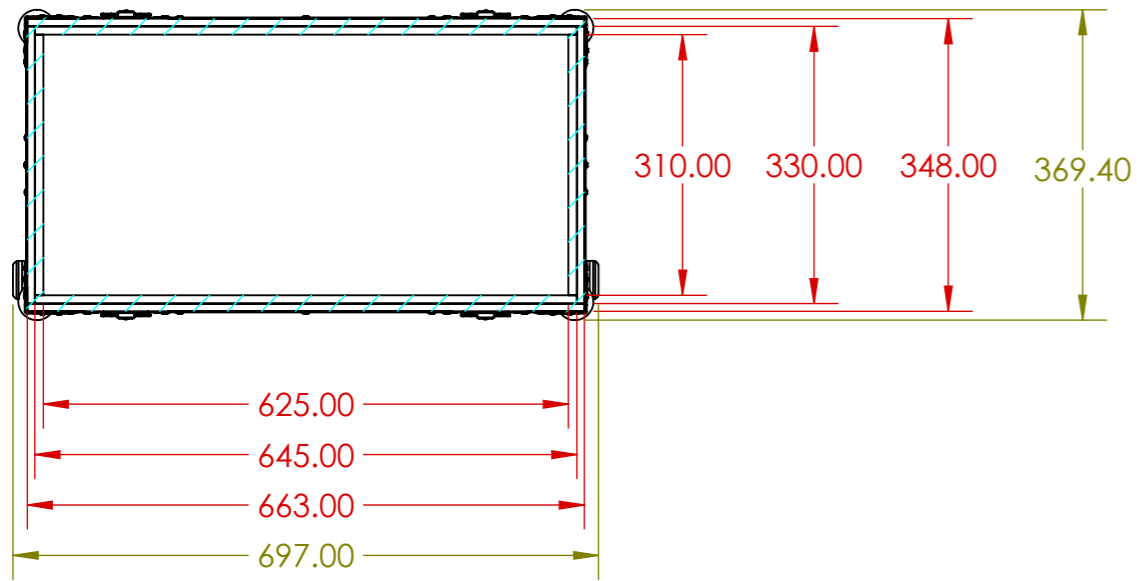


SECTION A-A



NOTES:

REV	DESCRIPTION	DATE
0	ORIGINAL ISSUE	10/31/2022

ESTIMATED WEIGHT (CASE ONLY):  
18.77 KG

QUANTITY:

ITEM CODE:  
SPK-BOSE-S1

DRAWN BY:                      CHECKED BY:

SCALE:  
NTS



ADD : 45/7-9 Percy St, Auburn,  
NSW 2144, Australia  
PH : 02 9188 6801  
MAIL : sales@armorcases.com.au  
WEB : www.armorcases.com.au