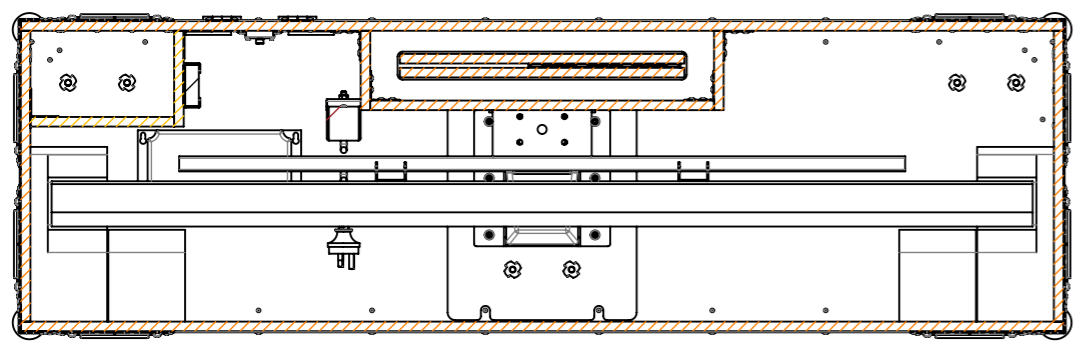
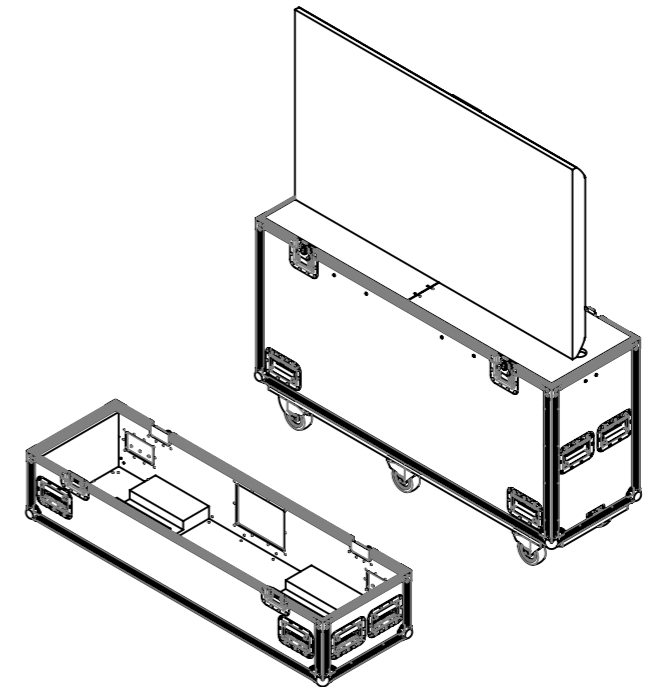
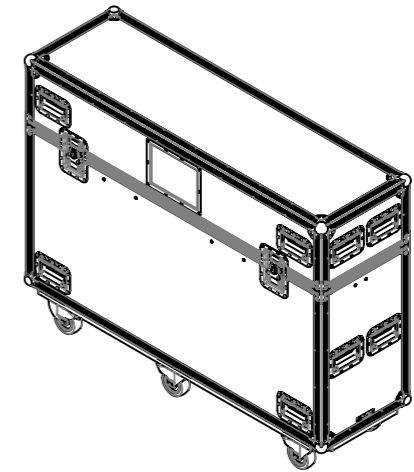
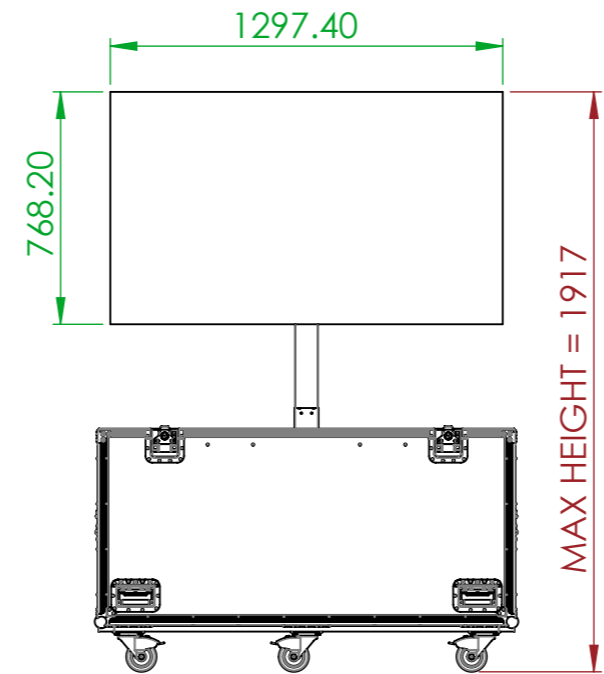


SECTION A-A  
SCALE 1 : 10



SECTION B-B  
SCALE 1 : 10



CASE EXTERNAL DIMENSIONS  
INTERNAL DIMENSIONS AND TOLERANCES

NOTES:

REV	DESCRIPTION	DATE
0	ORIGINAL ISSUE	10/31/2022

ESTIMATED WEIGHT (CASE ONLY):  
110.70 KG

QUANTITY:  
1

ITEM CODE:  
TVL-SS-LH55WMB

DRAWN BY: HA      CHECKED BY: AS

SCALE:  
NTS



MAIL : [sales@armorcases.com.au](mailto:sales@armorcases.com.au)  
WEB : [www.armorcases.com.au](http://www.armorcases.com.au)