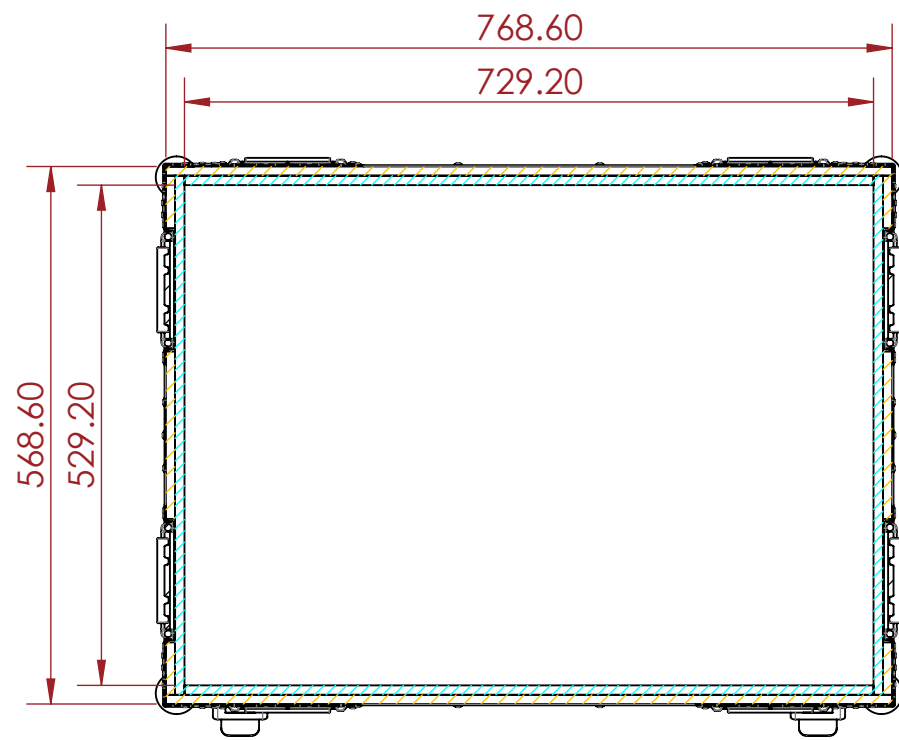
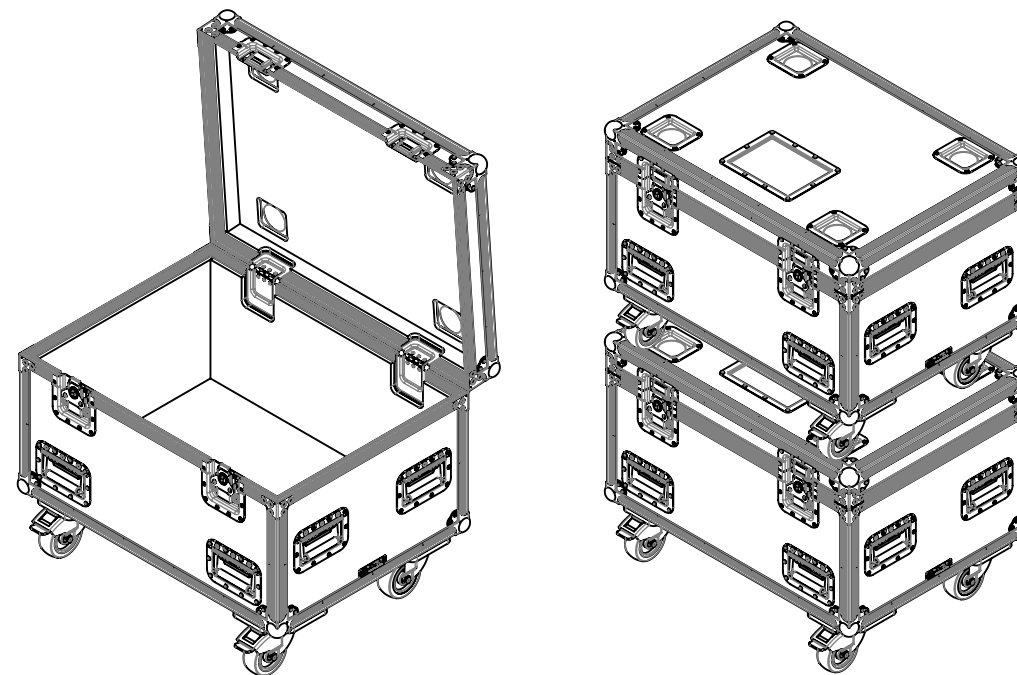


SECTION A-A  
SCALE 1 : 8



SECTION B-B  
SCALE 1 : 8



NOTES:

REV	DESCRIPTION	DATE
0	ORIGINAL ISSUE	10/31/2022

ESTIMATED WEIGHT (CASE ONLY):  
**27.7 KG**

QUANTITY:  
**1**

ITEM CODE:  
**UTL-CP8060SE**

DRAWN BY: **HA**      CHECKED BY: **AS**

SCALE:  
**NTS**



MAIL : [sales@armorcases.com.au](mailto:sales@armorcases.com.au)  
WEB : [www.armorcases.com.au](http://www.armorcases.com.au)