

NOTES:
UNLESS SPECIFIED IN THE DRAWING,
ALL PRODUCTS DISPLAYED IN THIS
DRAWING OTHER THAN THE CASE
ITSELF IS NOT PART OF OUR PRODUCT
OFFERING.

PRODUCT FEATURES

CONSTRUCTION

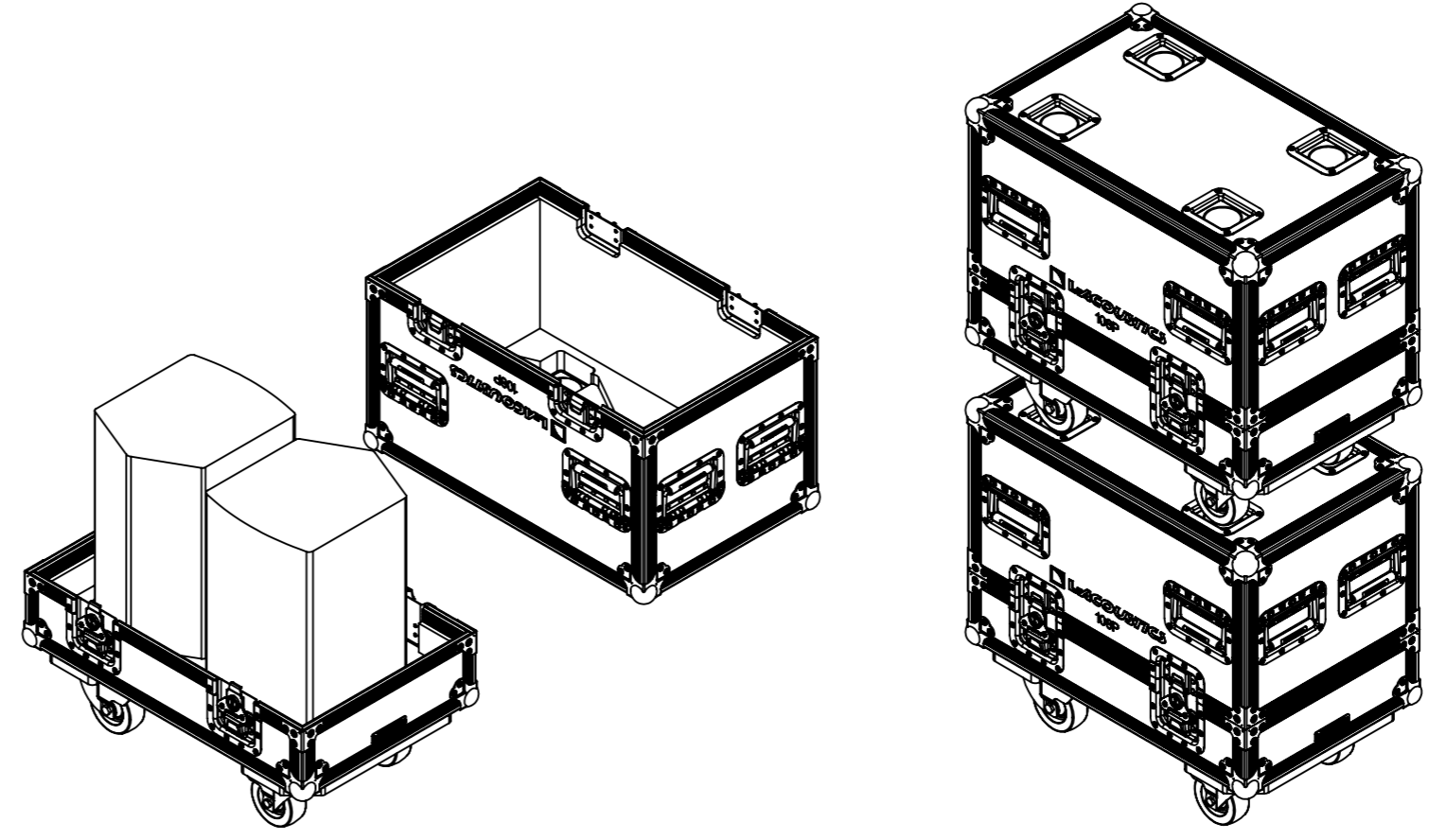
- 12MM LAMINATED PLYWOOD PANEL
- 18MM FULL CASTOR BOARD
- EVA38 FOAM PROTECTION
- PENNELCOM HARDWARE
- 4 X LARGE RECESSED HANDLES
- 4 X 100MM CASTOR WHEELS
- 4 X STEEL CASTOR DISH
- 4 X LARGE LATCHES
- 2 X BRAKES

FEATURES

- DESIGNED FOR TWO L'ACOUSTICS 108P SPEAKER
- CAN STACK MULTIPLE CASES
- BRAKES PREVENTS ROLLING
- BALL CORNERS AND 30MM EXTRUSION EDGES
- EASY TO USE LIFT OFF LID DESIGN
- ENGRAVING LOGO AT FRONT AND BACK

KEY MEASUREMENT

- TOP OF THE BASE HEIGHT 292MM



ESTIMATED WEIGHT (CASE ONLY):
27.49 KG

ITEM CODE:
SPK-LA-108P

DRAWN BY: TJ CHECKED BY: AS

SCALE:
NTS



MAIL : sales@armorcases.com.au
WEB : www.armorcases.com.au