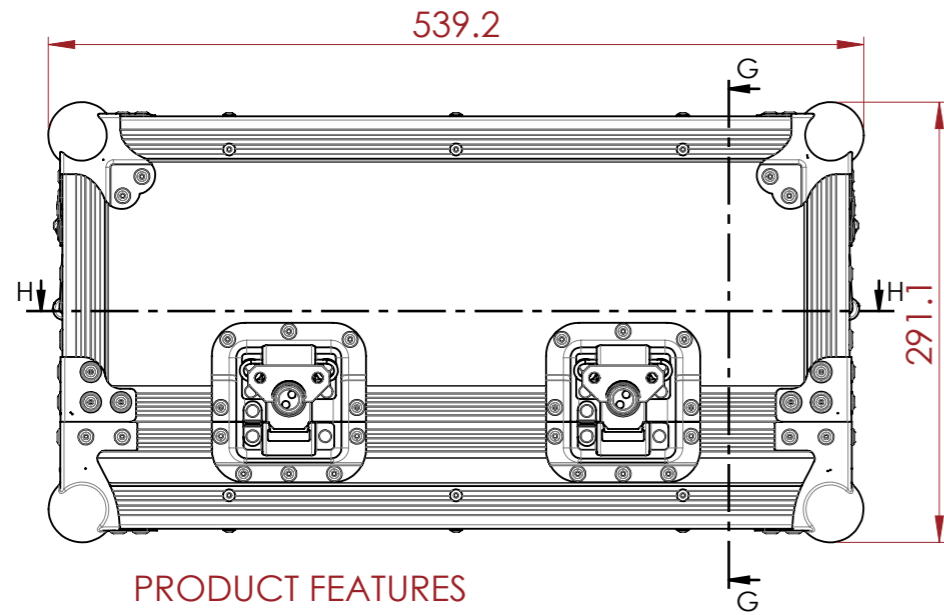


NOTES:  
UNLESS SPECIFIED IN THE DRAWING,  
ALL PRODUCTS DISPLAYED IN THIS  
DRAWING OTHER THAN THE CASE  
ITSELF IS NOT PART OF OUR PRODUCT  
OFFERING.



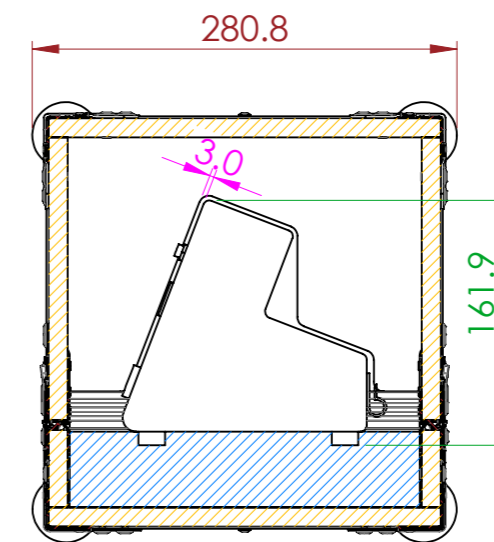
PRODUCT FEATURES

CONSTRUCTION

- 12MM LAMINATED PLYWOOD PANEL
- EVA FOAM PROTECTION
- MEDIUM LATCHES
- 2 X LARGE RECESSED LATCHES

FEATURES

- EASY TO USE LIFT OFF LID DESIGN
- DEDICATED SPACE FOR ALLEN AND HEATH QU-SB AUDIO MIXER
- COMPACT DESIGN
- BALL CORNER AND 30MM EXTRUSION EDGES



SECTION G-G  
SCALE 1 : 5

- CARPET
- EVA FOAM
- PLYWOOD
- EXTERNAL DIMENSIONS
- INTERNAL DIMENSIONS
- TOLERANCES
- EQUIPMENT DIMENSIONS
- EPE 25 FOAM

REV	DESCRIPTION	DATE
0	ORIGINAL ISSUE	10/31/2022

ESTIMATED WEIGHT (CASE ONLY):  
**9.08 KG**

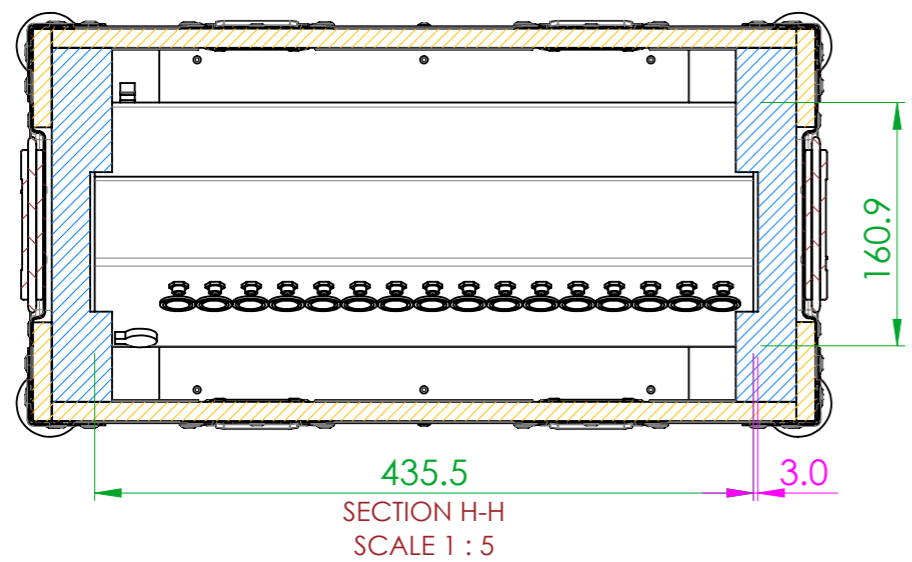
ITEM CODE:  
**MIXR-AH-QUSB**

DRAWN BY: **HA**                      CHECKED BY: **AS**

SCALE:  
**NTS**



MAIL : [sales@armorcases.com.au](mailto:sales@armorcases.com.au)  
WEB : [www.armorcases.com.au](http://www.armorcases.com.au)



SECTION H-H  
SCALE 1 : 5

