

SECTION A-A

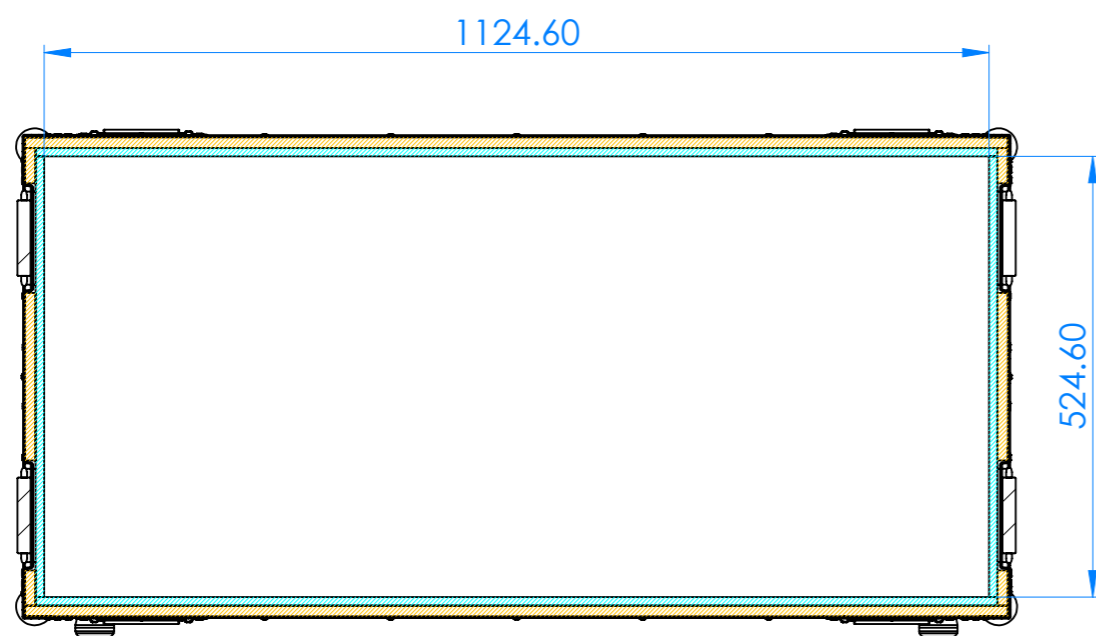
PRODUCT FEATURES

CONSTRUCTION

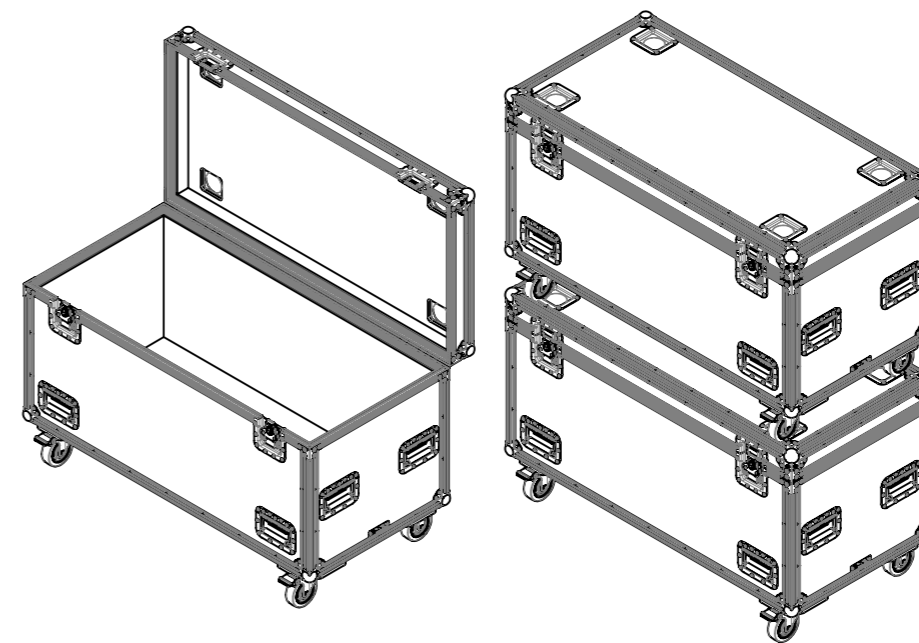
- 12MM LAMINATED PLYWOOD PANEL
- EVA38 FOAM PROTECTION
- 4 X 100MM CASTOR WHEELS
- 4 X LARGE LATCHES

FEATURES

- BALL CORNER AND 30MM EXTRUSION EDGES
- 4 X RECESSED HANDLES
- STACKABLE



SECTION B-B



NOTES:

UNLESS SPECIFIED IN THE DRAWING, ALL PRODUCTS DISPLAYED IN THIS DRAWING OTHER THAN THE CASE ITSELF IS NOT PART OF OUR PRODUCT OFFERING.

TEST FIT ACTUAL ITEM BEFORE FINISHING CASE BUILDING (REMOVE THIS NOTE IF THERE WERE NO ACTUAL ITEM TO FIT IN)

-  CARPET
-  EVA FOAM
-  PLYWOOD
-  EXTERNAL DIMENSIONS
-  INTERNAL DIMENSIONS
-  TOLERANCES
-  EQUIPMENT DIMENSIONS
-  EPE 25 FOAM

REV	DESCRIPTION	DATE
0	ORIGINAL ISSUE	10/31/2022

ESTIMATED WEIGHT (CASE ONLY):  
43.26 KG

ITEM CODE:  
UTL-CP1200E-01F

DRAWN BY: HA                      CHECKED BY: AS

SCALE:  
NTS



MAIL : sales@armorcases.com.au  
WEB : www.armorcases.com.au