

SECTION A-A

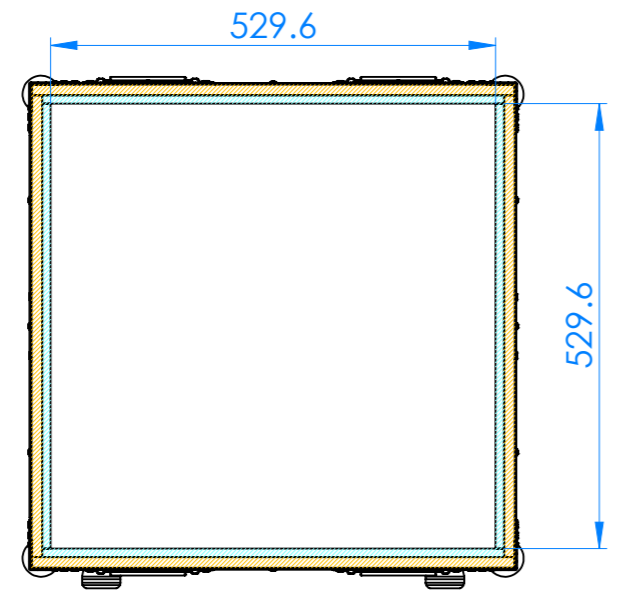
PRODUCT FEATURES

CONSTRUCTION

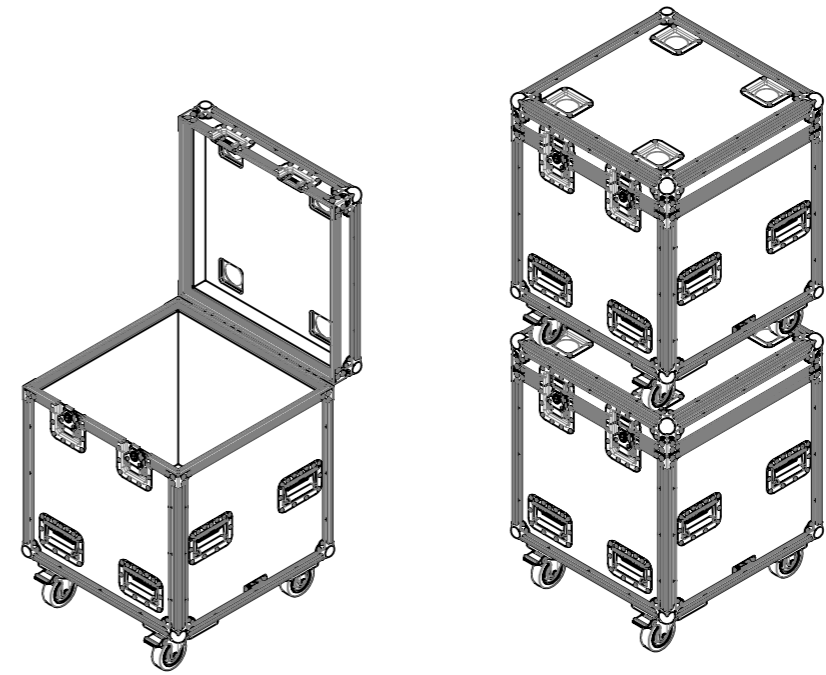
- 12MM LAMINATED PLYWOOD PANEL
- EVA38 FOAM PROTECTION
- 4 X 100MM CARJET CASTOR WHEELS
- 2 X LARGE LATCHES

FEATURES

- BALL CORNER AND 30MM EXTRUSION EDGES
- 4 X RECESSED HANDLES
- STACKABLE
- BRAKED CASTOR WHEELS



SECTION B-B



NOTES:
UNLESS SPECIFIED IN THE DRAWING,
ALL PRODUCTS DISPLAYED IN THIS
DRAWING OTHER THAN THE CASE
ITSELF IS NOT PART OF OUR PRODUCT
OFFERING.

TEST FIT ACTUAL ITEM BEFORE
FINISHING CASE BUILDING (REMOVE
THIS NOTE IF THERE WERE NO ACTUAL
ITEM TO FIT IN)

	CARPET
	EVA FOAM
	PLYWOOD
	EXTERNAL DIMENSIONS
	INTERNAL DIMENSIONS
	TOLERANCES
	EQUIPMENT DIMENSIONS
	EPE 25 FOAM

REV	DESCRIPTION	DATE
0	ORIGINAL ISSUE	10/31/2022

ESTIMATED WEIGHT (CASE ONLY):
31.31 KG

ITEM CODE:
UTL-CP600E-01F

DRAWN BY: **HA** CHECKED BY: **AS**

SCALE:
NTS



MAIL : sales@armorcases.com.au
WEB : www.armorcases.com.au