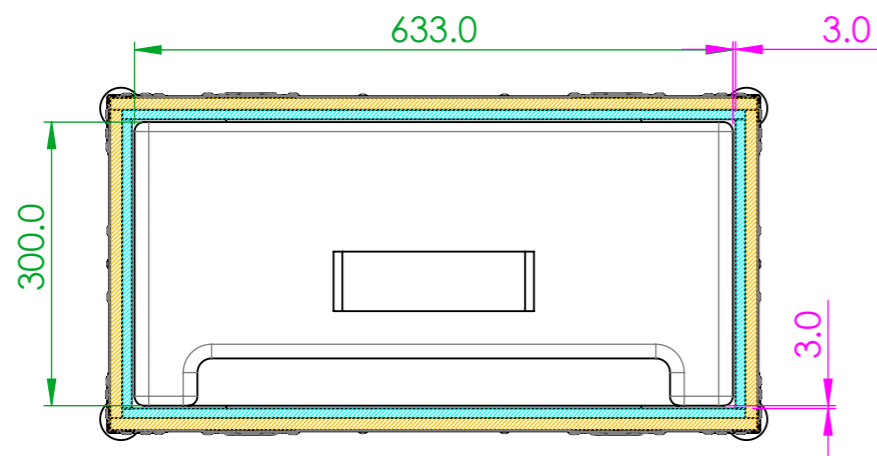


SECTION A-A  
SCALE 1 : 8



SECTION B-B



NOTES:  
UNLESS SPECIFIED IN THE DRAWING,  
ALL PRODUCTS DISPLAYED IN THIS  
DRAWING OTHER THAN THE CASE  
ITSELF IS NOT PART OF OUR PRODUCT  
OFFERING.

- CARPET
- EVA FOAM
- PLYWOOD
- EXTERNAL DIMENSIONS
- INTERNAL DIMENSIONS
- TOLERANCES
- EQUIPMENT DIMENSIONS
- EPE 25 FOAM

REV	DESCRIPTION	DATE
0	ORIGINAL ISSUE	10/31/2022

ESTIMATED WEIGHT (CASE ONLY):  
25.1 KG

ITEM CODE:  
AMP-RND-JFR25

DRAWN BY: HA  
CHECKED BY: AS

SCALE:  
NTS



MAIL : sales@armorcases.com.au  
WEB : www.armorcases.com.au