

NOTES:
UNLESS SPECIFIED IN THE DRAWING,
ALL PRODUCTS DISPLAYED IN THIS
DRAWING OTHER THAN THE CASE
ITSELF IS NOT PART OF OUR PRODUCT
OFFERING.

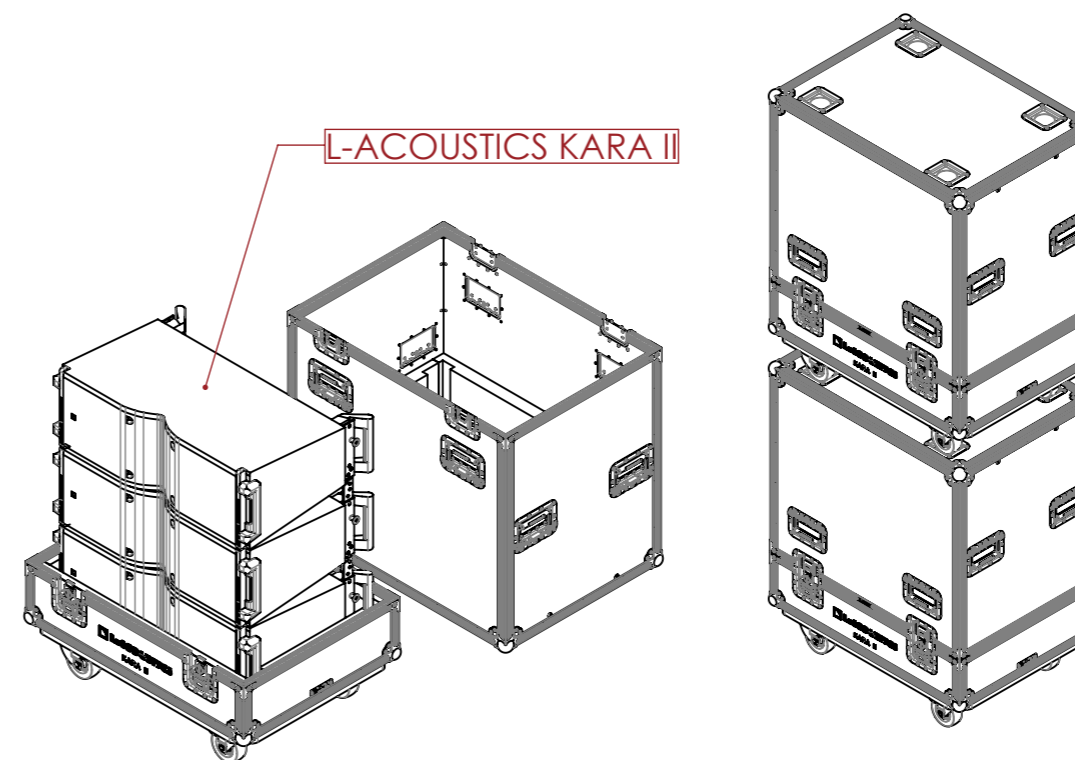
PRODUCT FEATURES

CONSTRUCTION

- 12MM BIRCH VENEER PLYWOOD WITH HPL EXTERIOR FACE AND PVC INTERIOR FACE
- LARGE LATCHES
- 8X ERGONOMICALLY PLACED HANDLES FOR LIFTING AND TRANSPORTING
- 4X 100MM CASTORS 2X BRAKED
- 4X STEEL CASTOR DISHES
- EVA-38B FOAM PROTECTION AROUND SPEAKERS

FEATURES

- DEDICATED SPACE FOR STORING VERTICAL STACK OF 3x KARAII SPEAKERS
- COMPACT DESIGN



ESTIMATED WEIGHT (CASE ONLY):

58.2 KG

ITEM CODE:

SPKL-LA-KARAII3

DRAWN BY:

HA

CHECKED BY:

AS

SCALE:

NTS



MAIL : sales@armorcases.com.au
WEB : www.armorcases.com.au