

# PRODUCT FEATURES

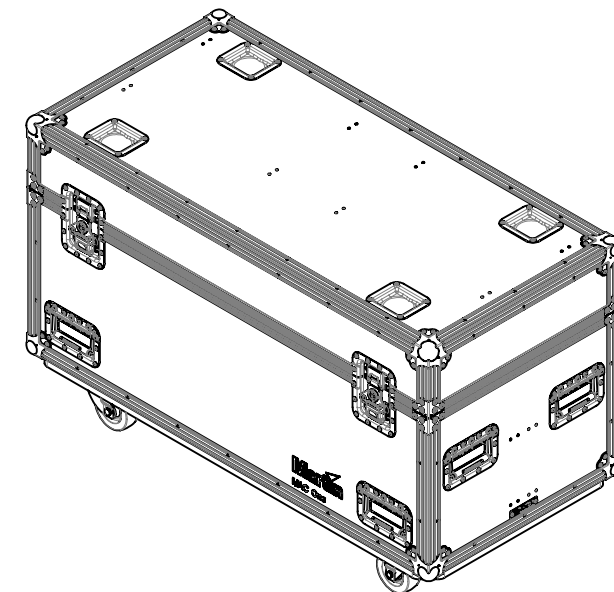
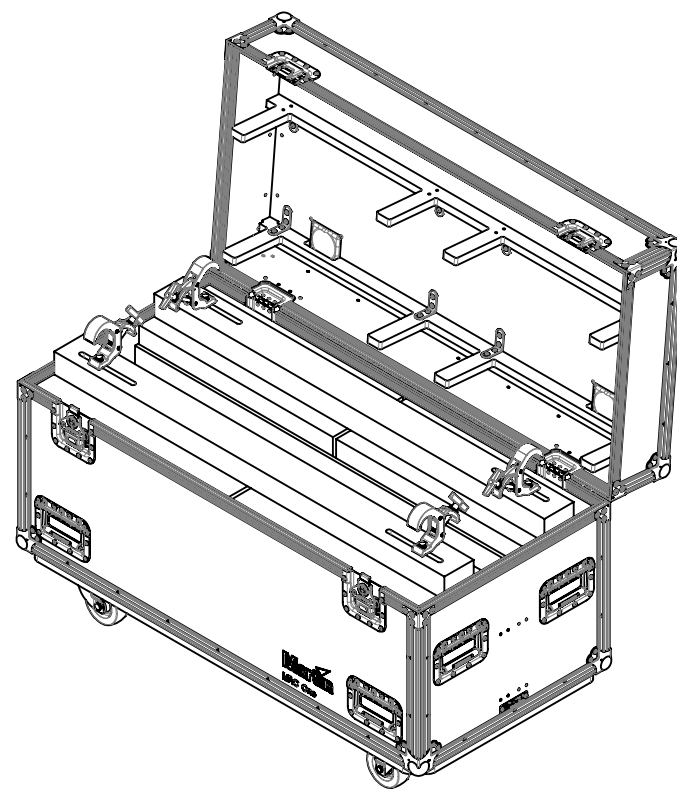
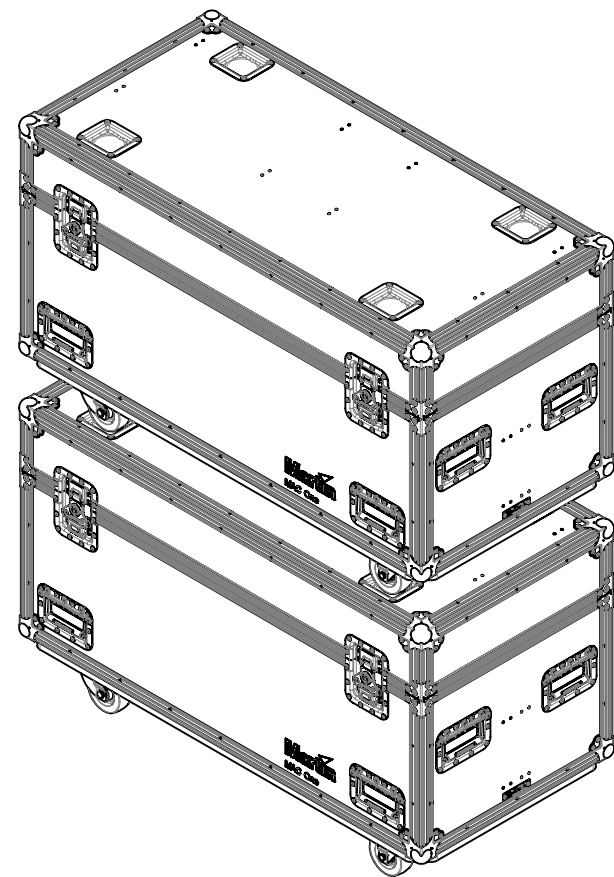
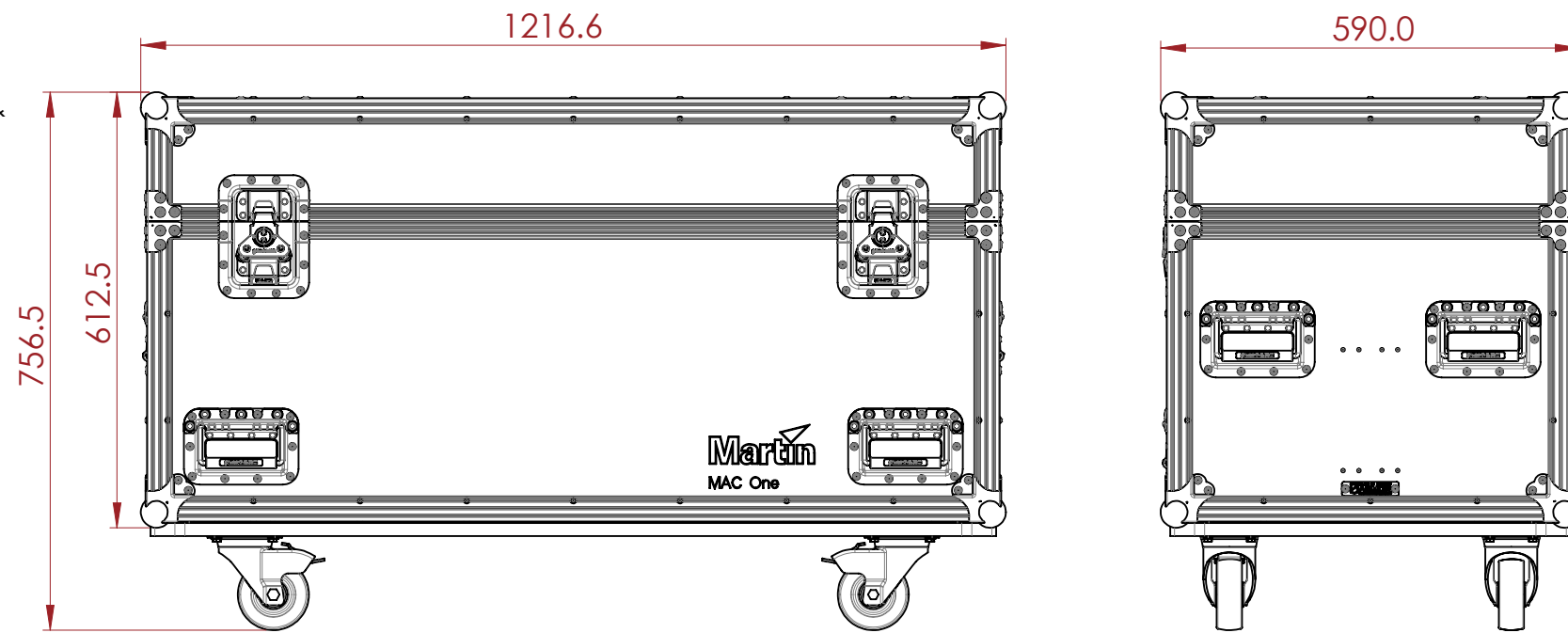
## CONSTRUCTION

- 9MM BIRCH VENEER PLYWOOD WITH HPL EXTERIOR FACE AND PVC INTERIOR FACE
- PENN ELCOM HARDWARE

## FEATURES

- STORAGE SPACE FOR 8X MARTIN MAC ONE LIGHTS, FOURBAR & PROVISION FOR CLAMPS
- CASTOR DISHES FOR EASE OF STACKING
- TRUCK FRIENDLY DIMENSIONS

NOTES:  
UNLESS SPECIFIED IN THE DRAWING,  
ALL PRODUCTS DISPLAYED IN THIS  
DRAWING OTHER THAN THE CASE  
ITSELF IS NOT PART OF OUR PRODUCT  
OFFERING.



ESTIMATED WEIGHT (CASE ONLY):

53.95 KG

ITEM CODE:

CP126XX-MTN-MAC1

DRAWN BY:

RP

CHECKED BY:

AS

SCALE:

NTS



MAIL : [sales@armorcases.com.au](mailto:sales@armorcases.com.au)  
WEB : [www.armorcases.com.au](http://www.armorcases.com.au)