

NOTES:  
UNLESS SPECIFIED IN THE DRAWING,  
ALL PRODUCTS DISPLAYED IN THIS  
DRAWING OTHER THAN THE CASE  
ITSELF IS NOT PART OF OUR PRODUCT  
OFFERING.

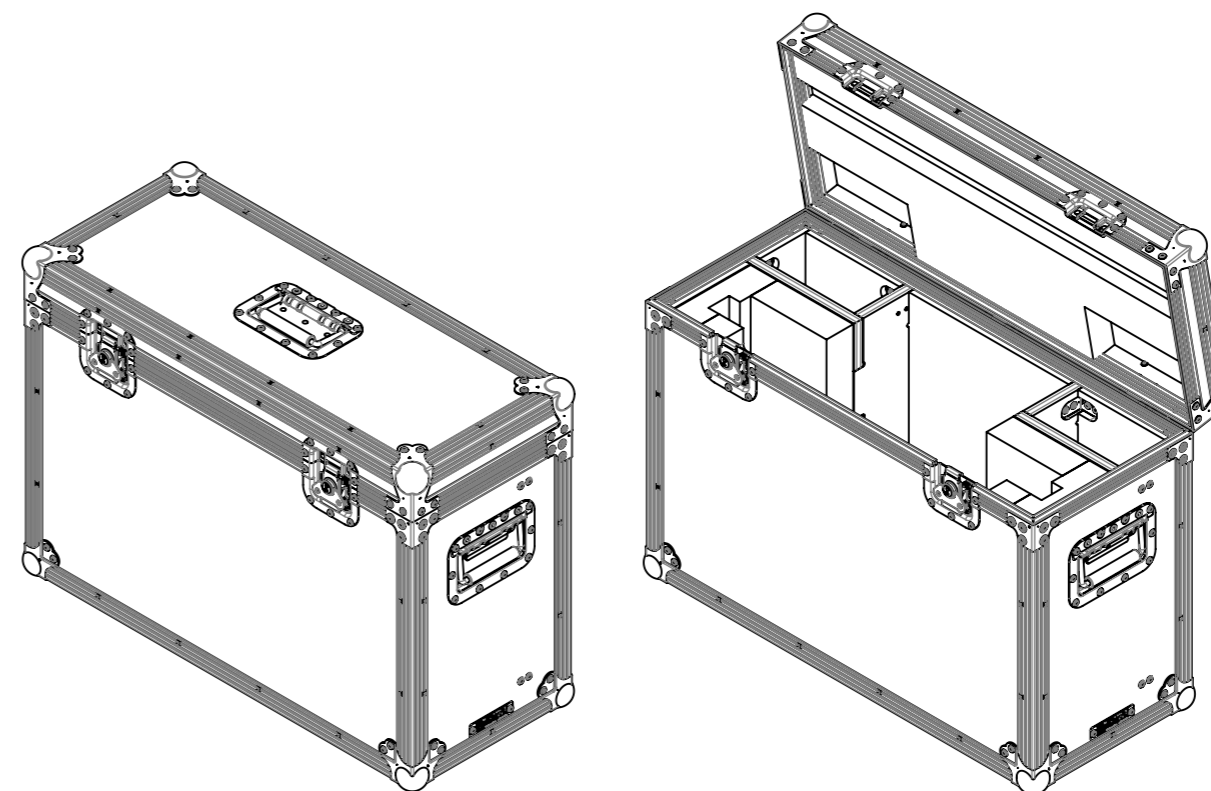
## PRODUCT FEATURES

### CONSTRUCTION

- 7MM HIGH QUALITY PLASTIC PANEL
- 3X ERGONOMICALLY PLACED HANDLES FOR LIFTING AND TRANSPORTING
- 2X MEDIUM LATCHES
- EPE-25 FOAM PROTECTION

### FEATURES

- DEDICATED SPACE FOR DEL-OPTLX7780
- DEDICATED SPACE FOR 2X DELL KB 121-B
- COMPACT DESIGN



ESTIMATED WEIGHT (CASE ONLY):

12.13 KG

ITEM CODE:

DISP- DEL-OPTLX7780

DRAWN BY:

H.A

CHECKED BY:

AS

SCALE:

NTS



MAIL : [sales@armorcases.com.au](mailto:sales@armorcases.com.au)  
WEB : [www.armorcases.com.au](http://www.armorcases.com.au)