

NOTES:
UNLESS SPECIFIED IN THE DRAWING,
ALL PRODUCTS DISPLAYED IN THIS
DRAWING OTHER THAN THE CASE
ITSELF IS NOT PART OF OUR PRODUCT
OFFERING.

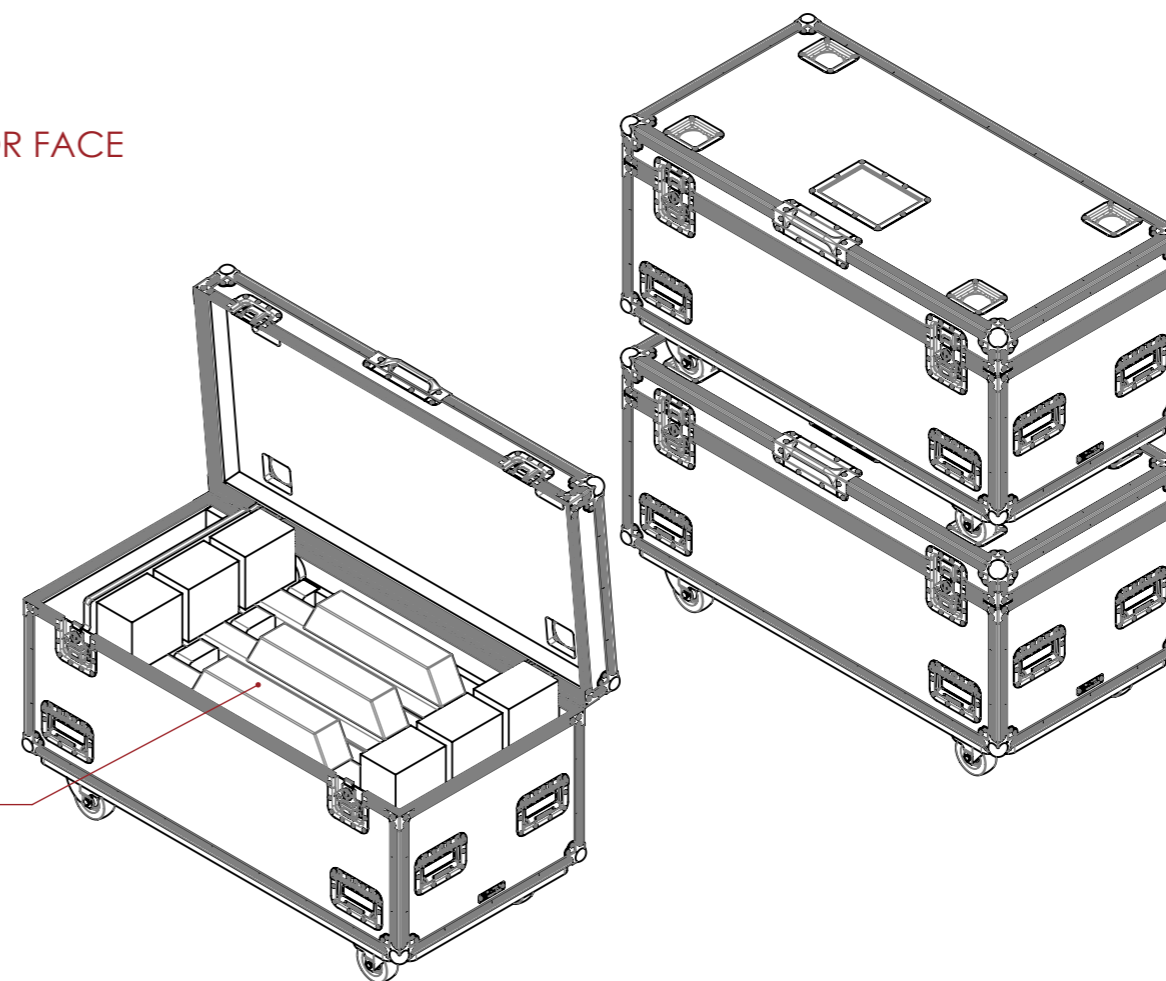
PRODUCT FEATURES

CONSTRUCTION

- 9MM BIRCH VENEER PLYWOOD WITH HPL EXTERIOR FACE AND PVC INTERIOR FACE
- PENN ELCOM HARDWARE.
- 8X ERGONOMICALLY PLACED HANDLES FOR LIFTING AND TRANSPORTING
- LARGE LATCHES
- 2X LID STAYS
- 1X MEDIUM LABEL DISH
- 2X BUTT AND 1X PIANO HINGE
- EVA38B FOAM PROTECTION
- 18MM FULL CASTOR BOARD
- 4X 100MM CASTORS 2X BRAKED

FEATURES

- DEDICATED SPACE FOR 6X LEDBAR015-FUSION Bar Q XV
- STACKABLE



ESTIMATED WEIGHT (CASE ONLY):

49.63 KG

ITEM CODE:

LXBAR-ST-FUSION-XV

DRAWN BY:

H.A

CHECKED BY:

AS

SCALE:

NTS



MAIL : sales@armorcases.com.au
WEB : www.armorcases.com.au