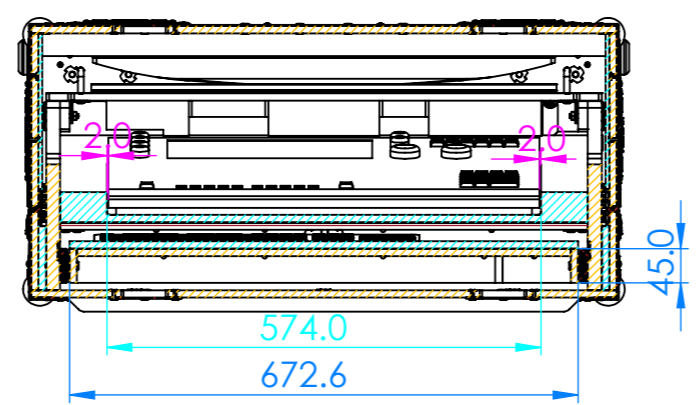


SECTION C-C

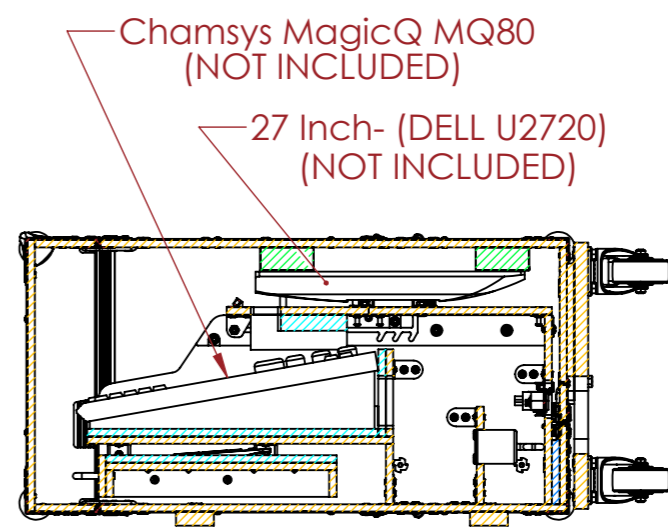


SECTION B-B

**PRODUCT FEATURES**

- CONSTRUCTION**
- 9MM HIGH QUALITY PLYWOOD PANEL
  - PENN ELCOM HARDWARE
  - EVA FOAM

- FEATURES**
- DEDICATED ROOM FOR CHAMSYS MAGICQ MQ 80 AND 27 INCH MONITOR
  - PULLOUT TRAY FOR KEYBOARD AND MOUSE



SECTION A-A

NOTES:  
UNLESS SPECIFIED IN THE DRAWING,  
ALL PRODUCTS DISPLAYED IN THIS  
DRAWING OTHER THAN THE CASE  
ITSELF IS NOT PART OF OUR PRODUCT  
OFFERING.

ESTIMATED WEIGHT (CASE ONLY):  
51.01 KG

ITEM CODE:  
LXCTRL-CMS-MQ80-P27

DRAWN BY: HA      CHECKED BY: AS

SCALE:  
NTS



MAIL : sales@armorcases.com.au  
WEB : www.armorcases.com.au