

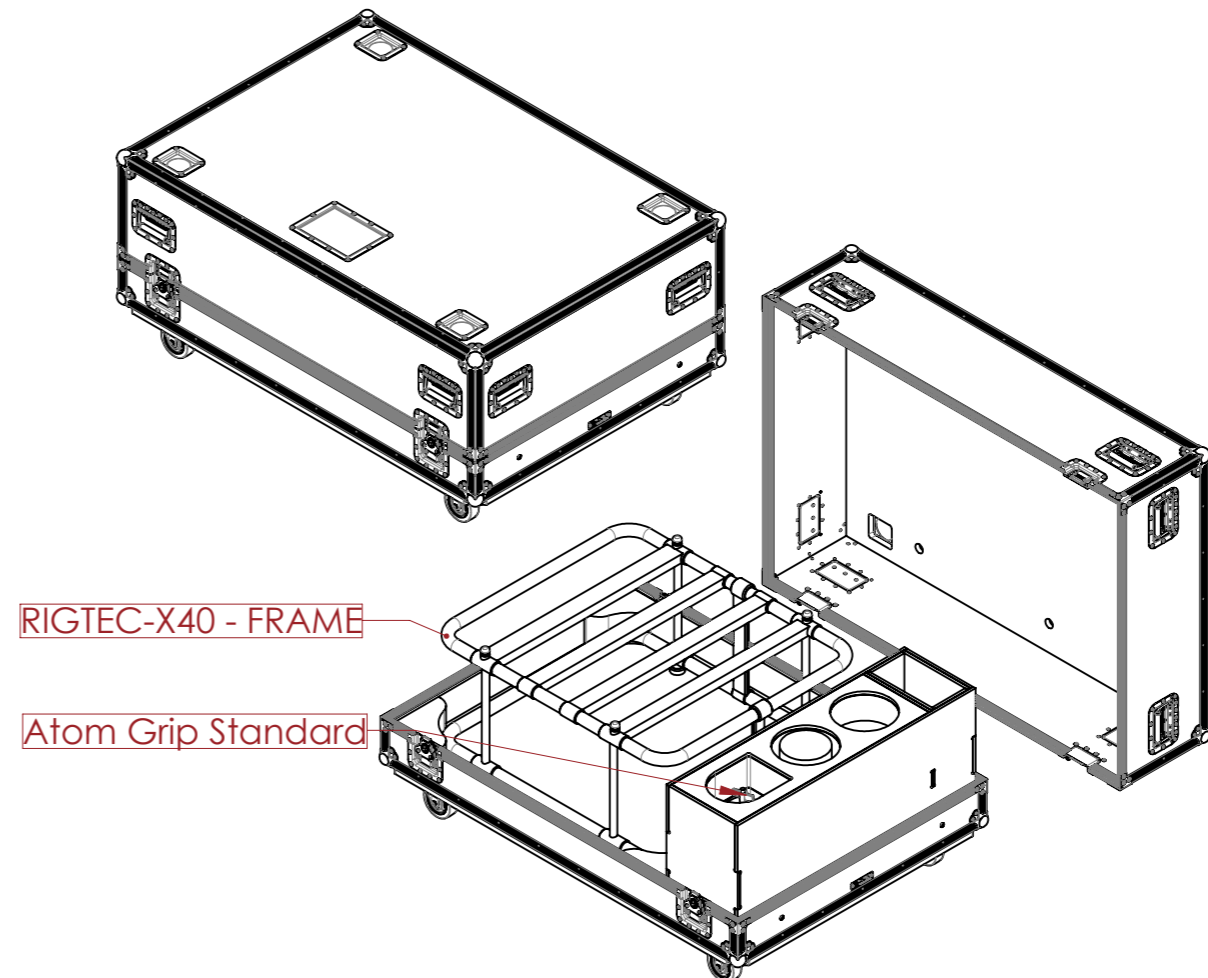
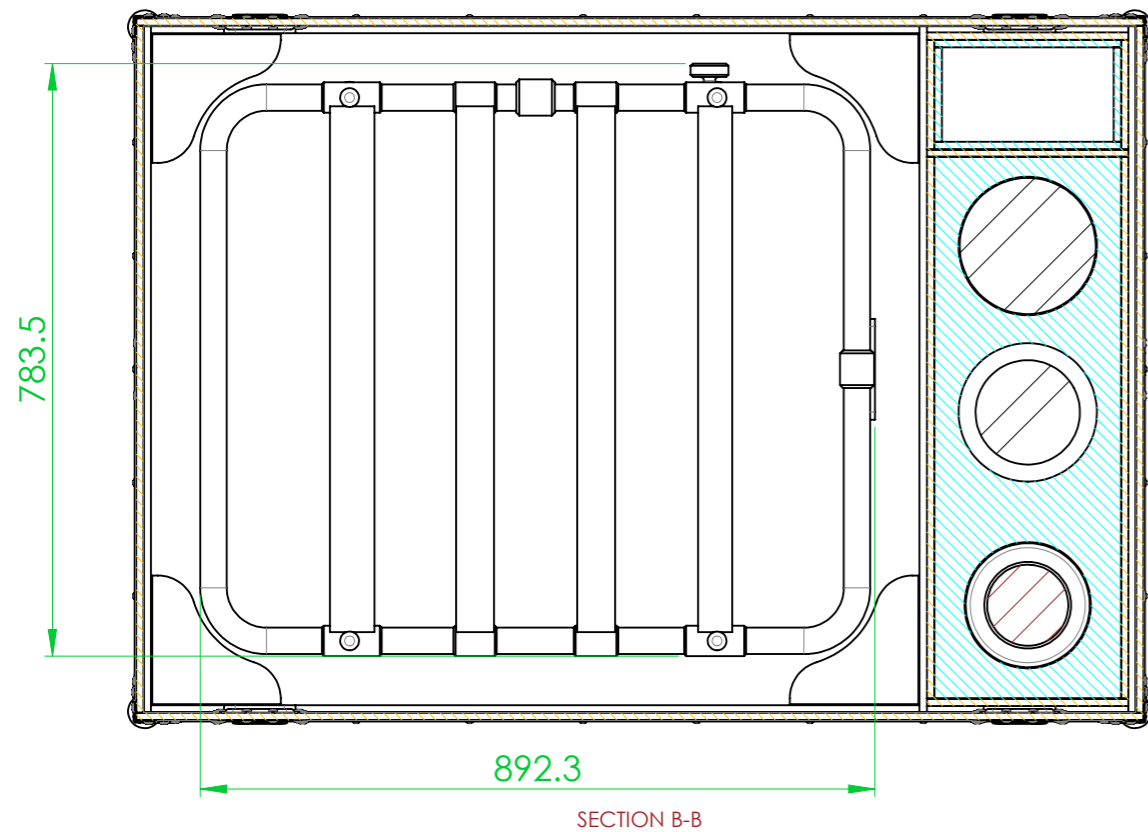
PRODUCT FEATURES

CONSTRUCTION

- 9MM HIGH QUALITY PLYWOOD PANEL
- ALUMINIUM EXTRUSIONS
- STEEL BALL CORNERS
- EVA FOAM

FEATURES

- DEDICATED SPACE FOR RIGTEC-X40 FRAME, ATOM GRIP, PROJECTOR LENS AND ADDITIONAL ACCESSORIES
- EASY TO LIFT LID
- BRAKED CASTOR WHEELS



NOTES:
UNLESS SPECIFIED IN THE DRAWING,
ALL PRODUCTS DISPLAYED IN THIS
DRAWING OTHER THAN THE CASE
ITSELF IS NOT PART OF OUR PRODUCT
OFFERING.

ESTIMATED WEIGHT (CASE ONLY):
74.69 KG

ITEM CODE:
PJTR-RIGTEC-X40

DRAWN BY: HA CHECKED BY: AS

SCALE:
NTS



MAIL : sales@armorcases.com.au
WEB : www.armorcases.com.au