

NOTES:
UNLESS SPECIFIED IN THE DRAWING,
ALL PRODUCTS DISPLAYED IN THIS
DRAWING OTHER THAN THE CASE
ITSELF IS NOT PART OF OUR PRODUCT
OFFERING.

PRODUCT FEATURES

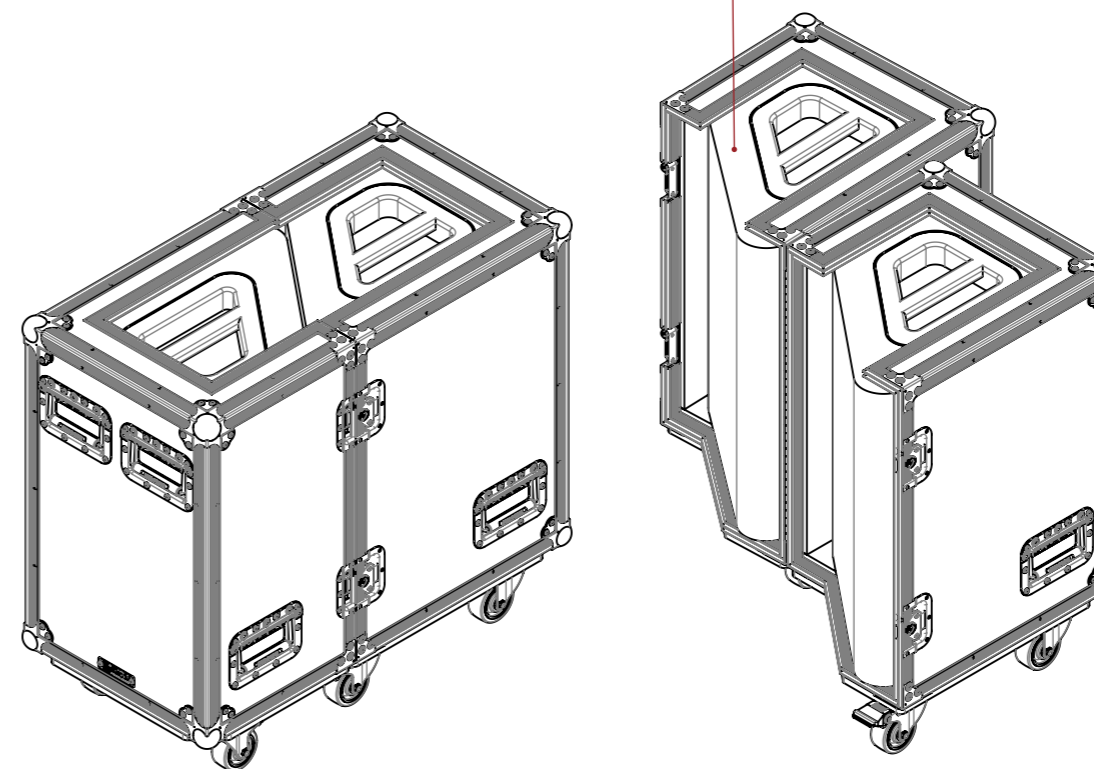
CONSTRUCTION

- 12MM BIRCH VENEER PLYWOOD WITH HPL EXTERIOR FACE AND PVC INTERIOR FACE
- MEDIUM LATCHES
- PENN ELCOM HARDWARE
- 8X ERGONOMICALLY PLACED HANDLES FOR LIFTING AND TRANSPORTING
- 6X 75MM CASTORS 3X BRAKED
- EVA 38B FOAM LINING ON INTERIOR SURFACE

FEATURES

- DEDICATED SPACE FOR STORING 2X CLAIR BROS WEDGE-P
- CLAMSHELL COMPACT DESIGN

CLAIR BROS WEDGE-P



ESTIMATED WEIGHT (CASE ONLY):

31.73 KG

ITEM CODE:

SPK-CB-12AM

DRAWN BY:

HA

CHECKED BY:

AS

SCALE:

NTS



MAIL : sales@armorcases.com.au
WEB : www.armorcases.com.au