

PRODUCT FEATURES

CONSTRUCTION

- 12MM HIGH QUALITY DOUBLE SIDED LAMINATED BIRCH PANEL
- ARMOR HARDWARE

INSTALLED EQUIPMENT

INCLUDED :

- 16RU AND 11RU RACK STRIPS LOCATED AT FRONT AND BACK
- 1X 2RU TRAY, 3X 2RU DRAWER
- 1X PUNCHED PATCH PANEL
- 1X POWERBOARD
- NEUTRIK CONNECTORS : 1X HDMI, 5X RJ45

NOT INCLUDED:

- BEHRINGER X32 CONSOLE
- EW 100 G4-ME4
- Wireless G4
- GAMING MONITOR

FEATURES:

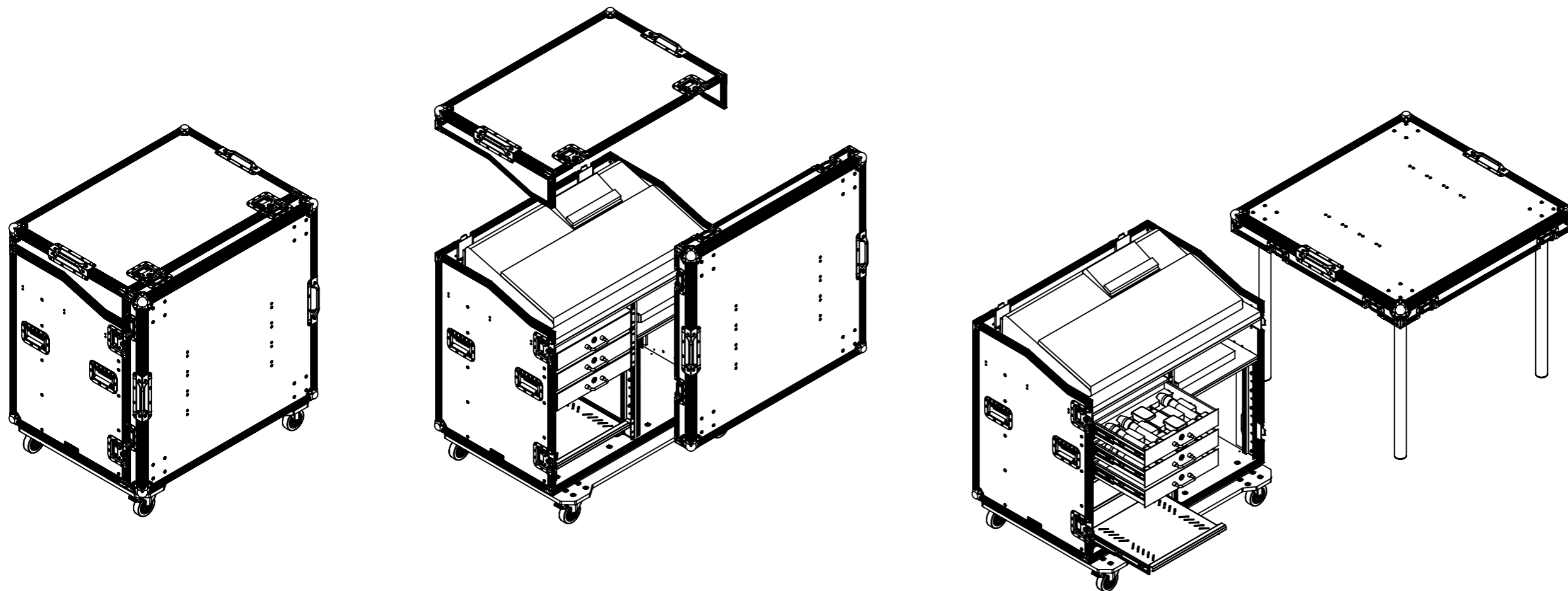
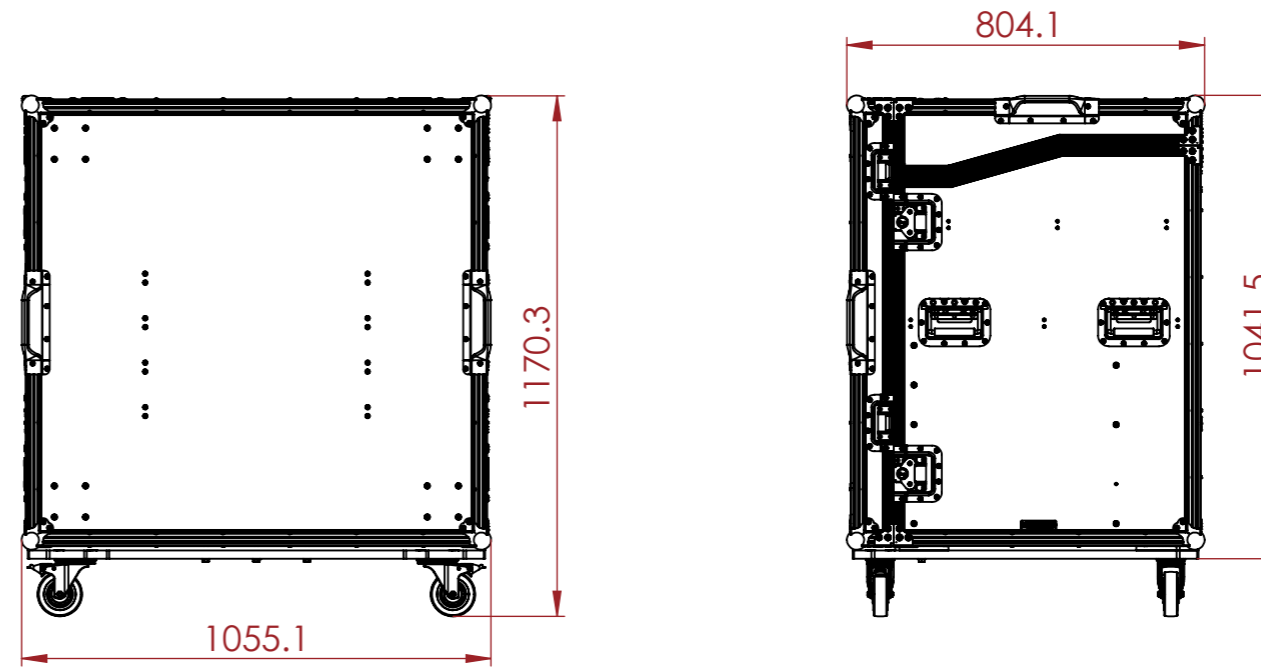
- FRONT LID CAN ACT AS TABLE FOR ADDITIONAL WORKSPACE
- SLAM LID AND HATCH DOOR LOCATED AT THE BACK

KEY MEASUREMENTS:

- FOLDABLE TABLE TOP HEIGHT 850MM
- FRONT AND REAR RACK STRIPS DISTANCE 505.3MM
- REAR RACK STRIPS TO REAR PANEL 150MM

NOTES:

UNLESS SPECIFIED IN THE DRAWING, ALL PRODUCTS DISPLAYED IN THIS DRAWING OTHER THAN THE CASE ITSELF IS NOT PART OF OUR PRODUCT OFFERING.



ESTIMATED WEIGHT (CASE ONLY):

121.92 KG

ITEM CODE:

WS-BEH-X32

DRAWN BY:

H.A

CHECKED BY:

AS

SCALE:

NTS



MAIL : sales@armorcases.com.au
WEB : www.armorcases.com.au