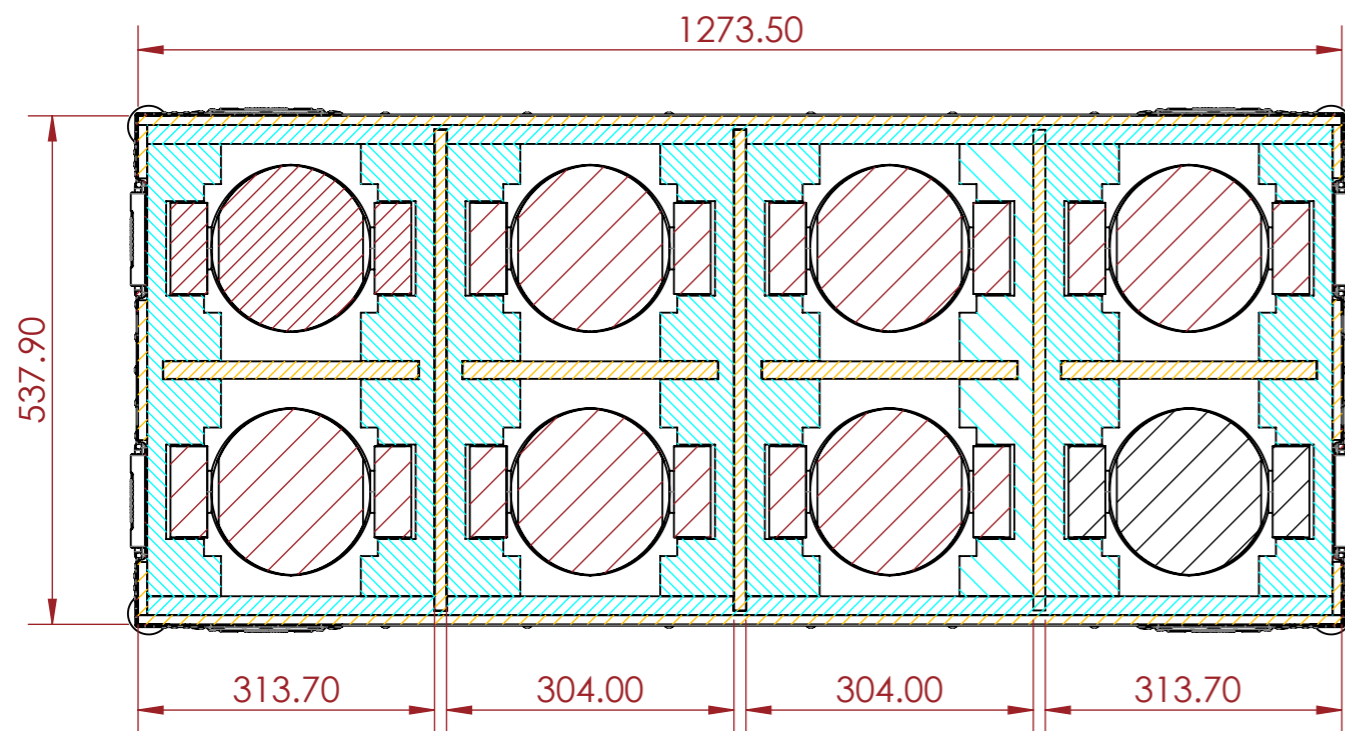
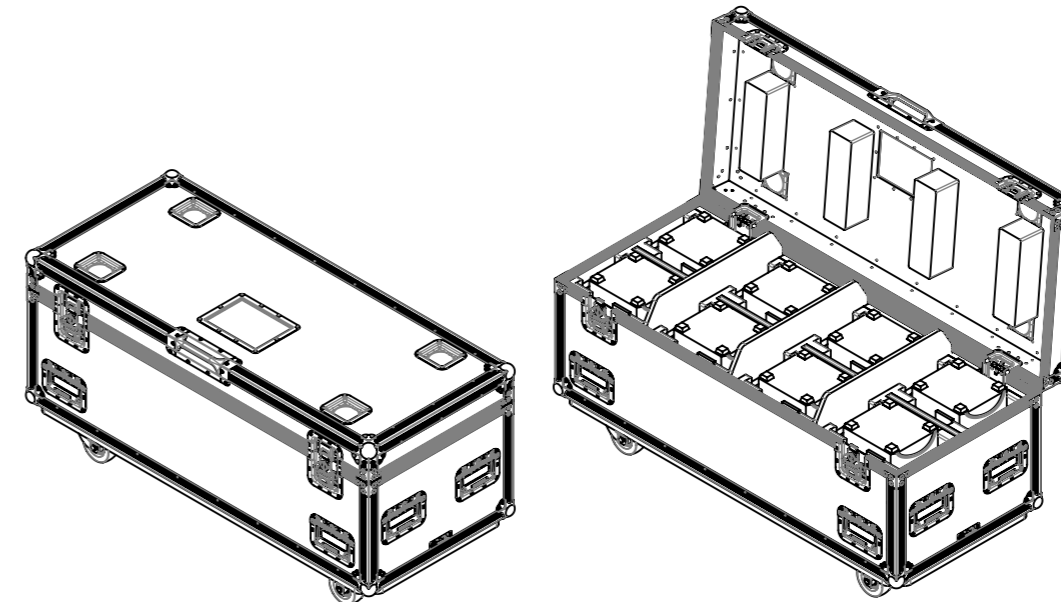


SECTION B-B
SCALE 1 : 8



SECTION A-A
SCALE 1 : 8



NOTES:

REV	DESCRIPTION	DATE
0	ORIGINAL ISSUE	10/31/2022

ESTIMATED WEIGHT (CASE ONLY):

127.97 KG

QUANTITY:

1

ITEM CODE:

LXMH-SPRO-P800W-8X

DRAWN BY:

K.I

CHECKED BY:

AS

SCALE:

NTS



MAIL : sales@armorcases.com.au
WEB : www.armorcases.com.au