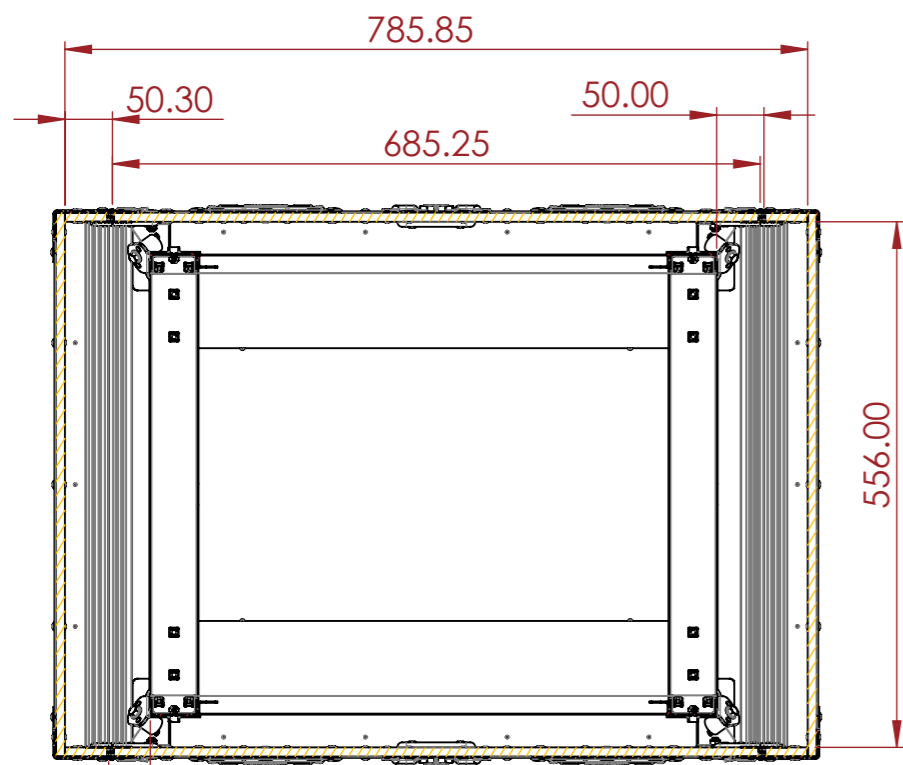
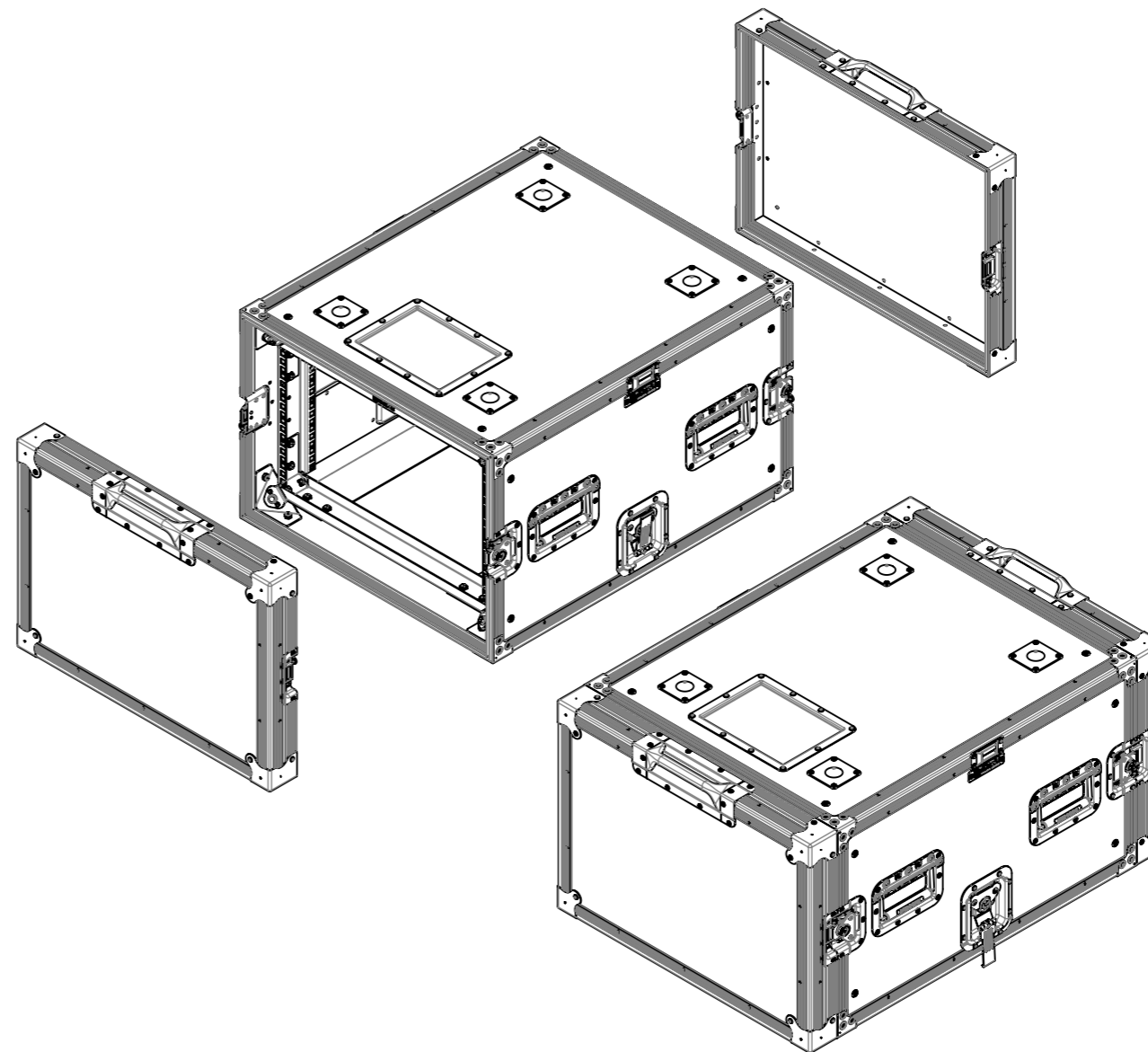


SECTION A-A



SECTION B-B



NOTES:

REV	DESCRIPTION	DATE
0	ORIGINAL ISSUE	10/31/2022

ESTIMATED WEIGHT:
27.52 KG KG

QUANTITY:
1

ITEM CODE:
RAK-SUSP6-600-L

DRAWN BY: K.I. CHECKED BY: AS

SCALE:
NTS



ADD : 45/7-9 Percy St, Auburn,
NSW 2144, Australia
PH : 02 9188 6801
MAIL : sales@armorcases.com.au
WEB : www.armorcases.com.au