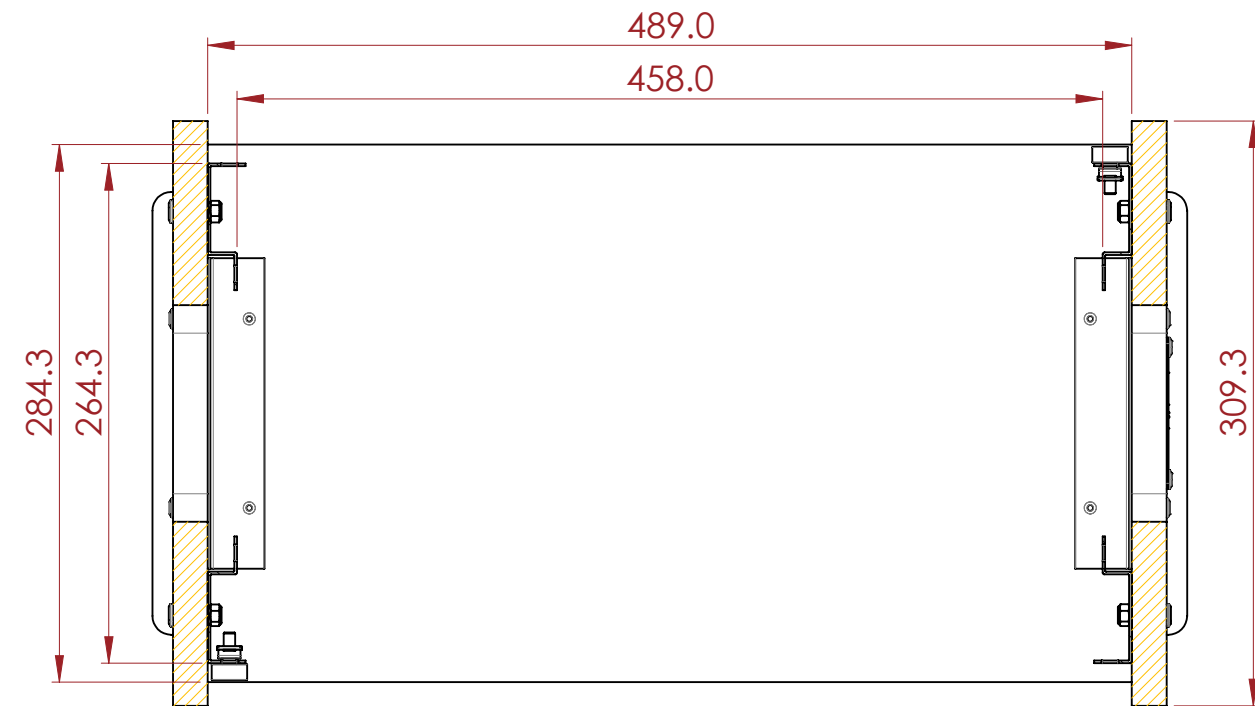
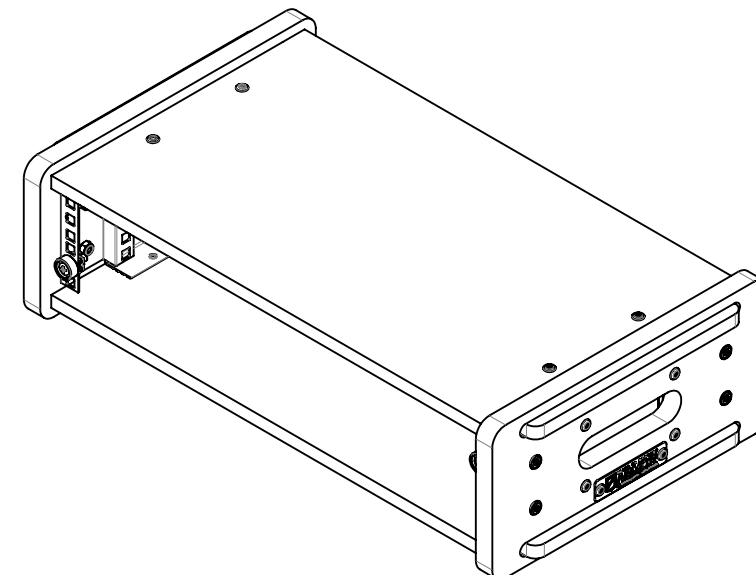


SECTION B-B
SCALE 1 : 4



SECTION A-A
SCALE 1 : 4



NOTES:
UNLESS SPECIFIED IN THE DRAWING,
ALL PRODUCTS DISPLAYED IN THIS
DRAWING OTHER THAN THE CASE
ITSELF IS NOT PART OF OUR PRODUCT
OFFERING.

ESTIMATED WEIGHT (CASE ONLY):

4.60 KG

ITEM CODE:

RKS-2U-264-PELI1555

DRAWN BY:

KI

CHECKED BY:

AS

SCALE:

NTS



MAIL : sales@armorcases.com.au
WEB : www.armorcases.com.au