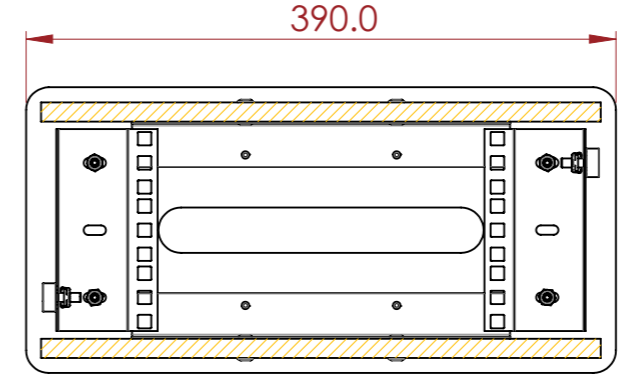
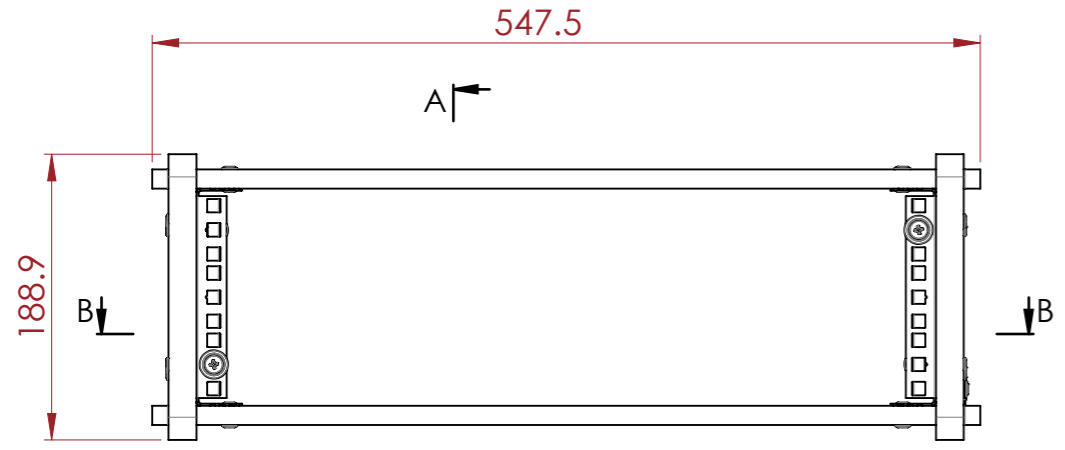


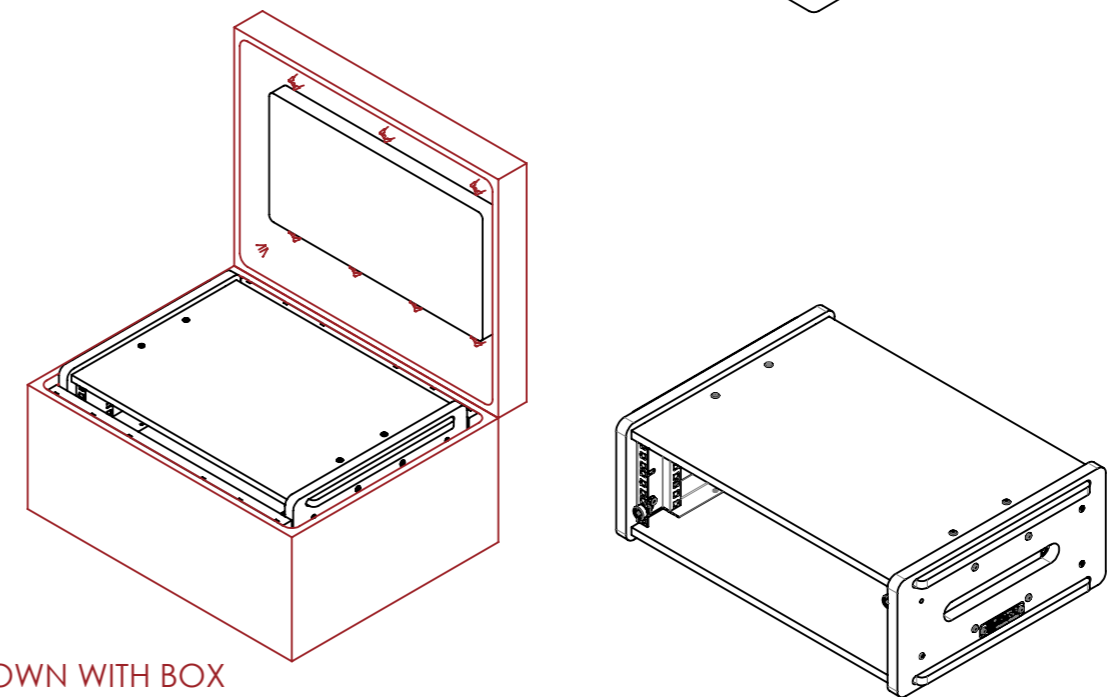
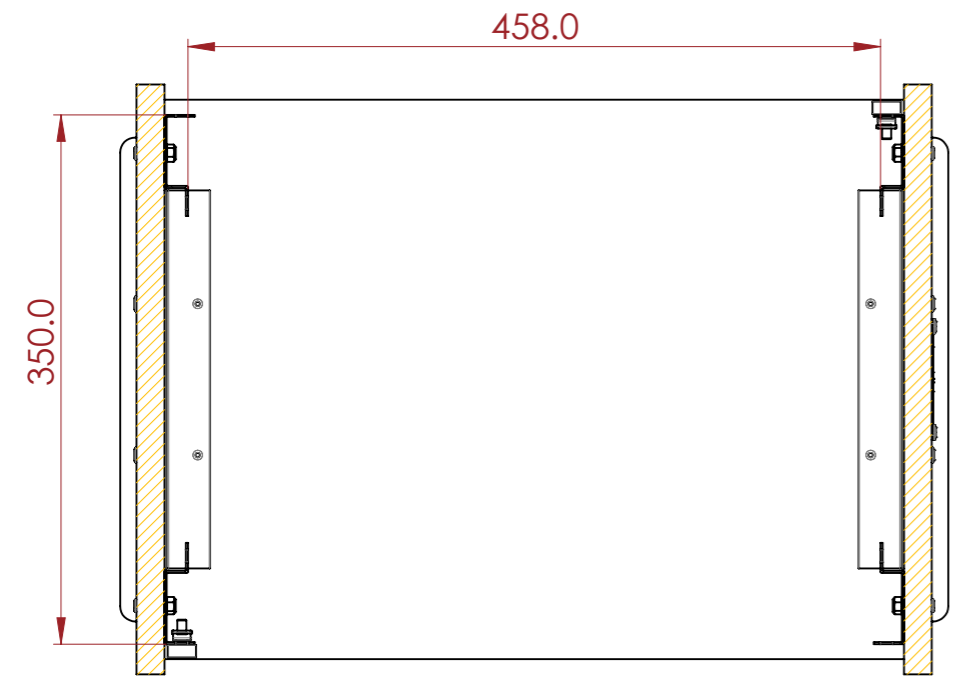
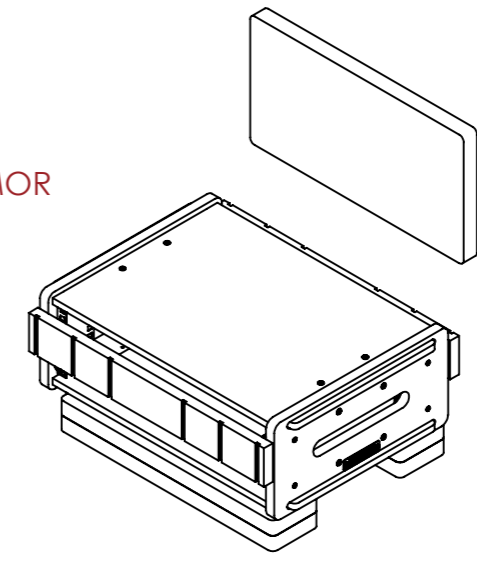
BOX MARKED AS RED IS NOT SUPPLIED BY ARMOR

NOTES:
UNLESS SPECIFIED IN THE DRAWING,
ALL PRODUCTS DISPLAYED IN THIS
DRAWING OTHER THAN THE CASE
ITSELF IS NOT PART OF OUR PRODUCT
OFFERING.



A

VIEW SHOWN WITHOUT BOX
FOAMS & RACK PANEL PROVIDED BY ARMOR



ESTIMATED WEIGHT (CASE ONLY):
6.72 KG

ITEM CODE:
RKS-3U-350-PELI1610

DRAWN BY: KI
CHECKED BY: AS

SCALE:
NTS



MAIL : sales@armorcases.com.au
WEB : www.armorcases.com.au