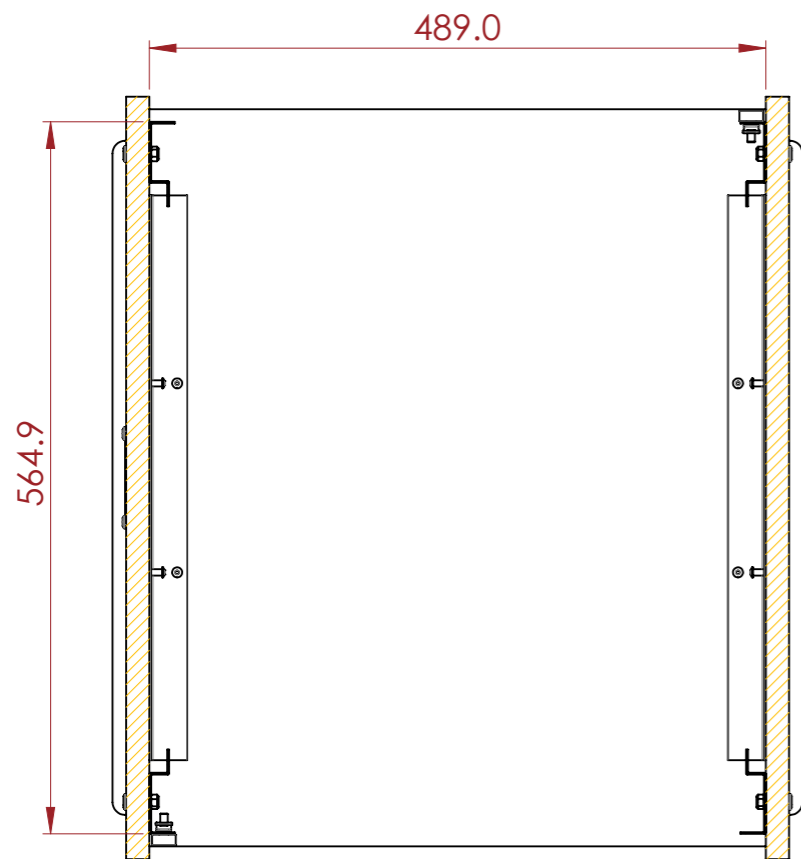
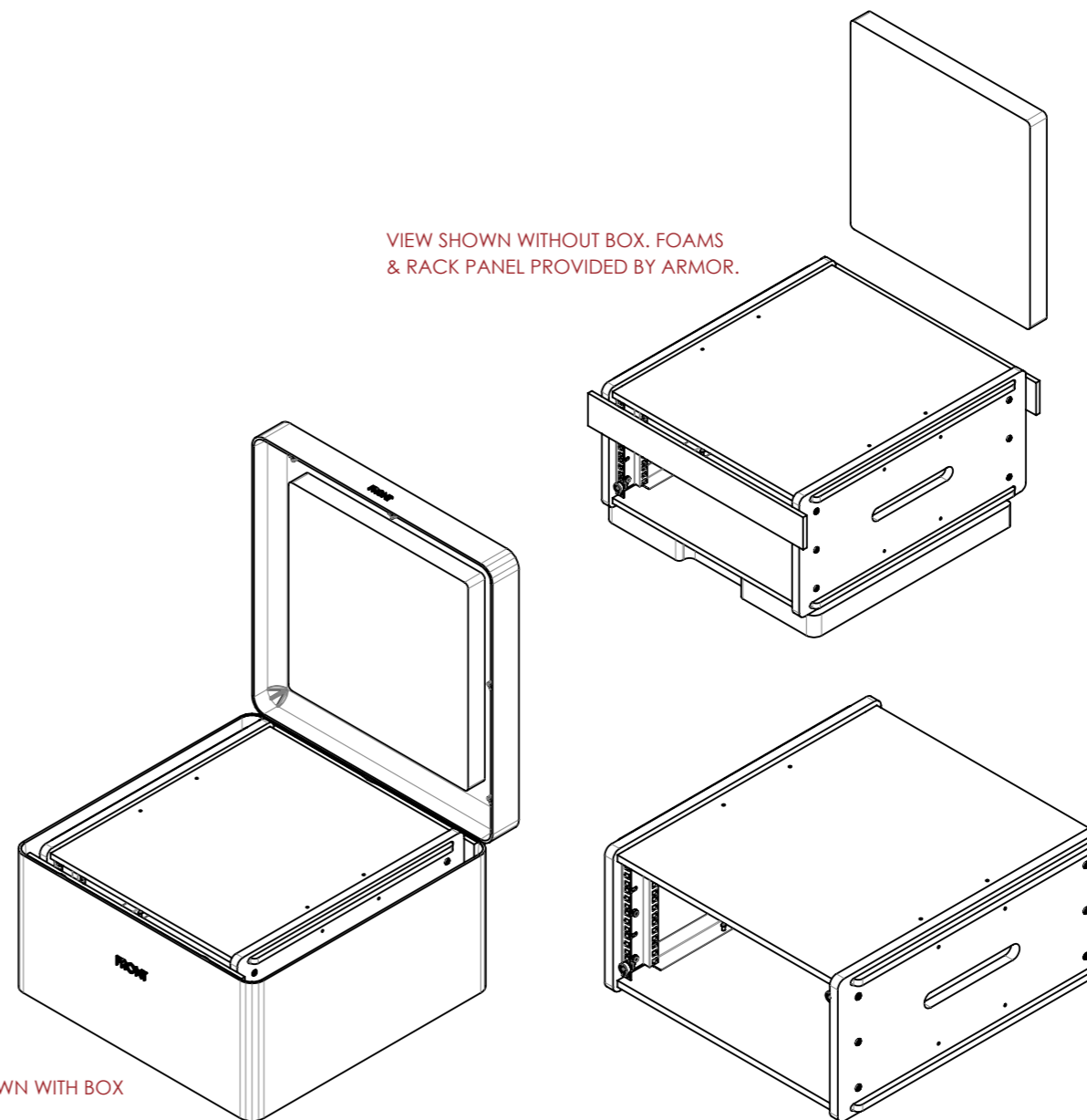


SECTION A-A



SECTION B-B

VIEW SHOWN WITHOUT BOX. FOAMS
& RACK PANEL PROVIDED BY ARMOR.



VIEW SHOWN WITH BOX

NOTES:
UNLESS SPECIFIED IN THE DRAWING,
ALL PRODUCTS DISPLAYED IN THIS
DRAWING OTHER THAN THE CASE
ITSELF IS NOT PART OF OUR PRODUCT
OFFERING.

ESTIMATED WEIGHT (CASE ONLY):

12.41 KG

ITEM CODE:

RKS-5U-565-PELI1640

DRAWN BY:

AS

CHECKED BY:

SCALE:

NTS



MAIL : sales@armorcases.com.au
WEB : www.armorcases.com.au