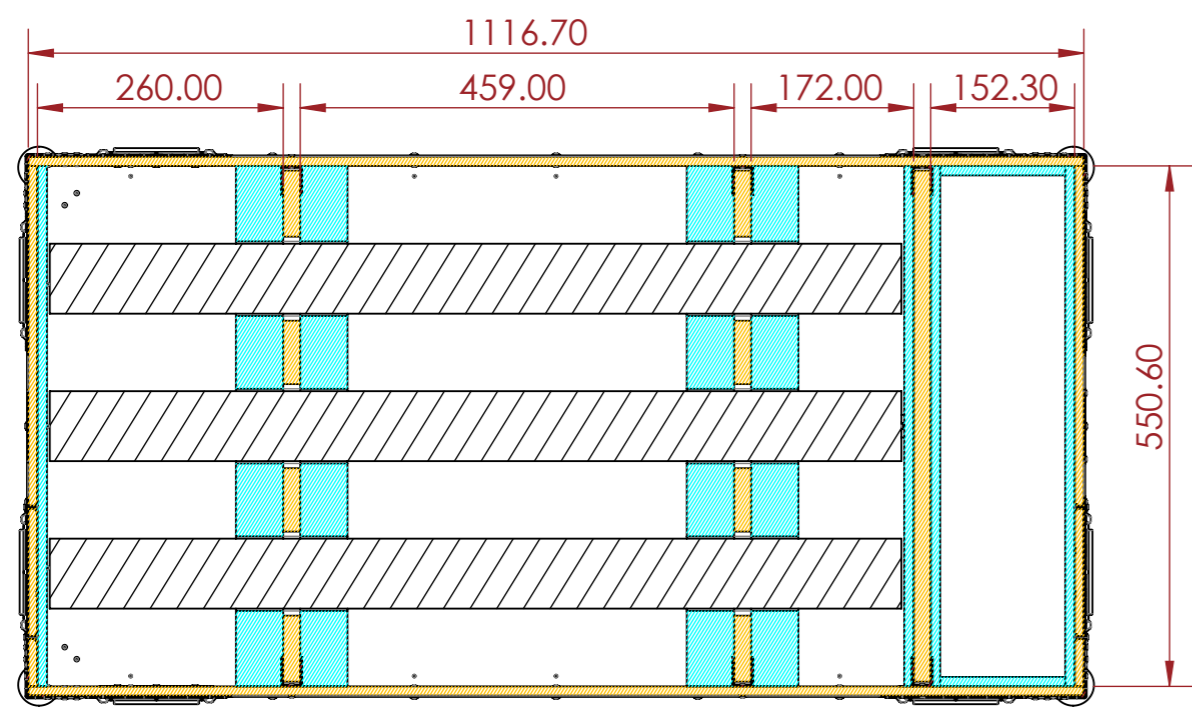
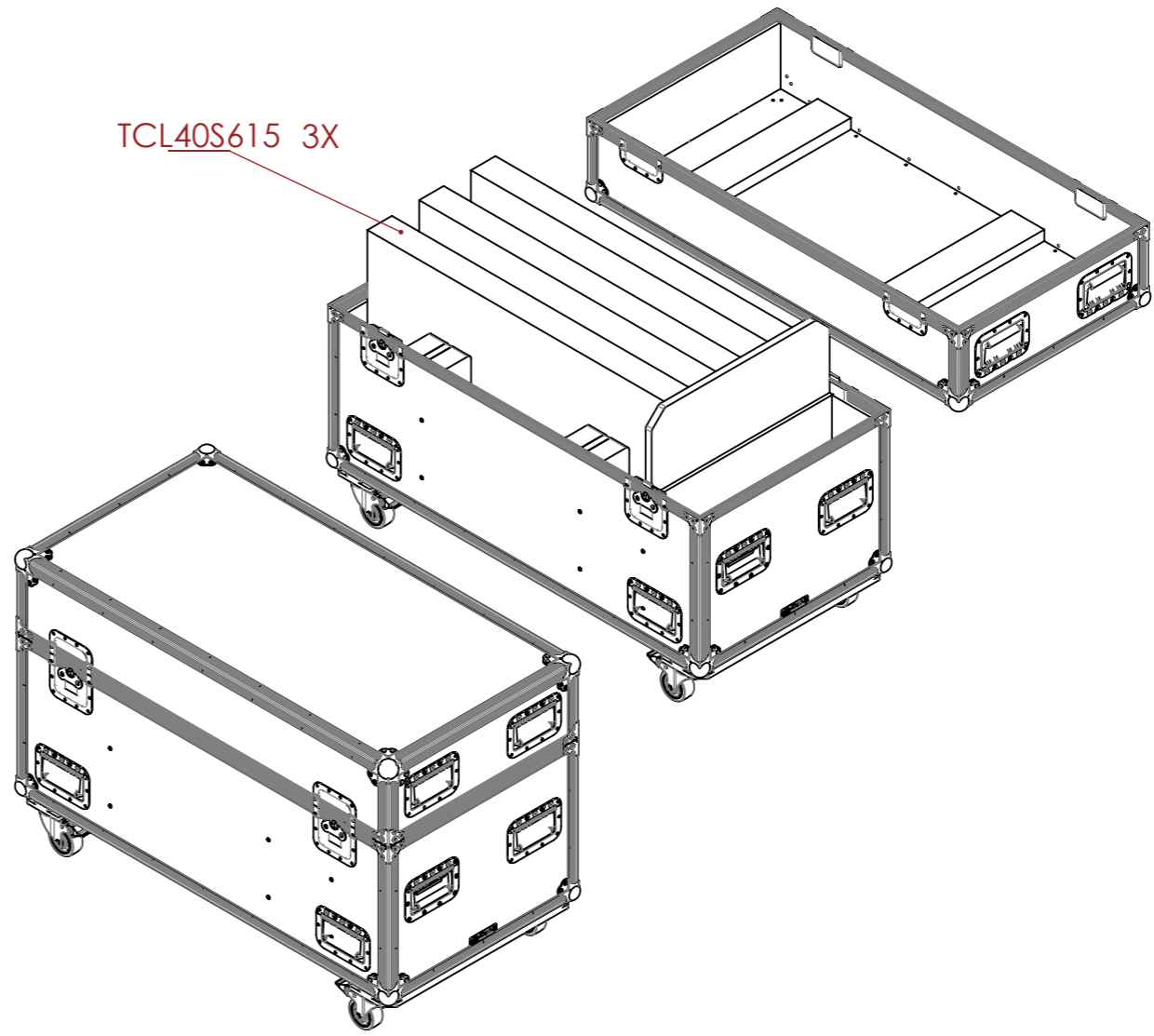


SECTION A-A
SCALE 1 : 8



SECTION B-B
SCALE 1 : 8

TCL40S615 3X



NOTES:

REV	DESCRIPTION	DATE
0	ORIGINAL ISSUE	10/31/2022

ESTIMATED WEIGHT:
65.68 KG

QUANTITY:
1

ITEM CODE:
TV-40T-TCL-S615

DRAWN BY: HA
CHECKED BY: AS

SCALE:
NTS



ADD : 45/7-9 Percy St, Auburn,
NSW 2144, Australia
PH : 02 9188 6801
MAIL : sales@armorcases.com.au
WEB : www.armorcases.com.au